



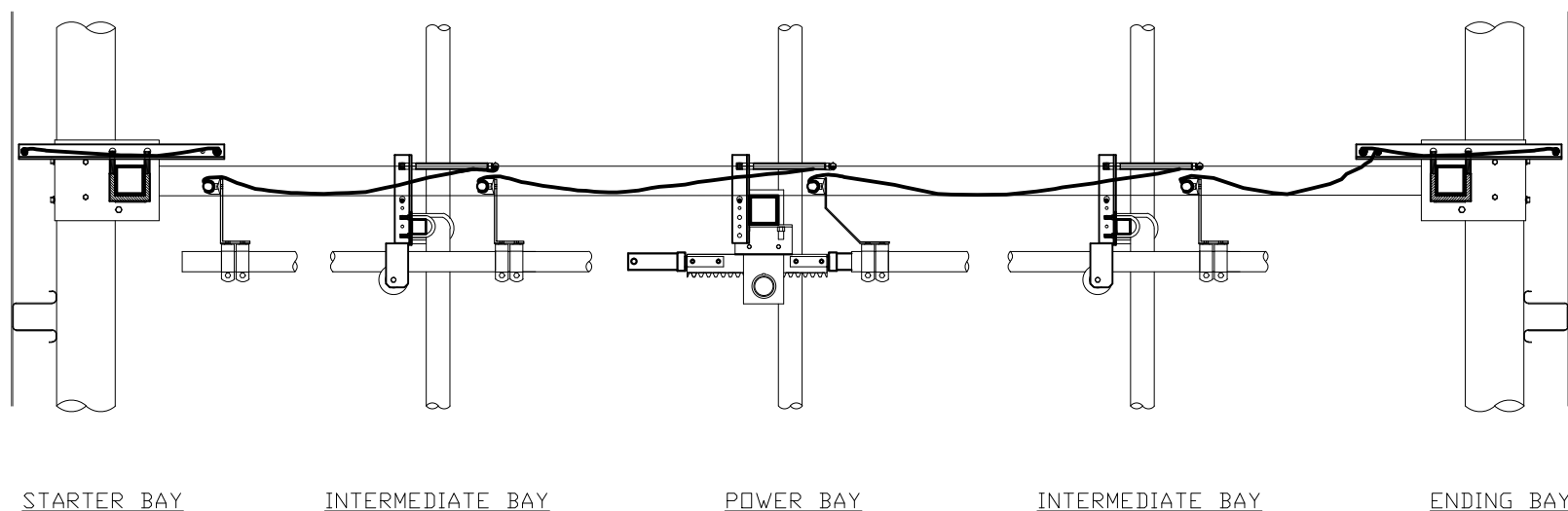
4344 MISSION BLVD.
(909) 627-0981

FAX (909) 628-3774

MONTCLAIR, CA. 91763
(800) 377-8441

SERVING AGRICULTURE SINCE 1946 • A DIVISION OF JOHN L. CONLEY, INC.
GENERAL CONTRACTORS LICENSE NO. 323391-B

FLAT SHADE SYSTEM GREEN HOUSE SYSTEM



INSTRUCTION MANUAL



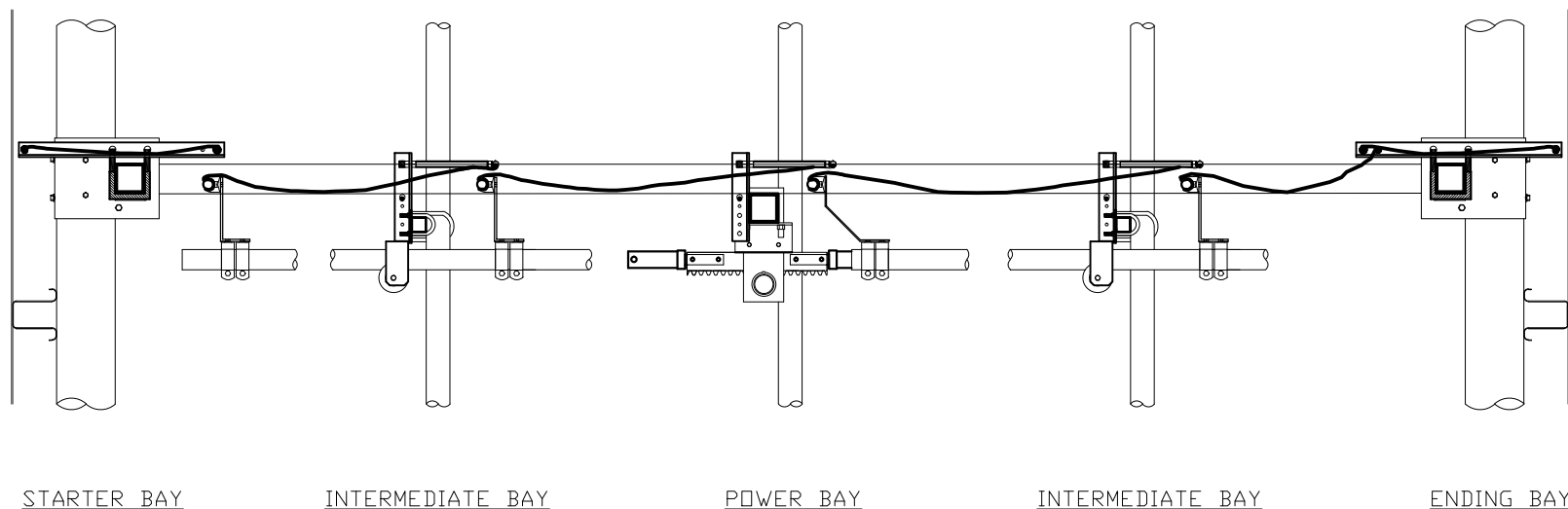
4344 MISSION BLVD.
(909) 627-0981

FAX (909) 628-3774

MONTCLAIR, CA. 91763
(800) 377-8441

SERVING AGRICULTURE SINCE 1946 • A DIVISION OF JOHN L. CONLEY, INC.
GENERAL CONTRACTORS LICENSE NO. 323391-B

SLOPE FLAT SLOPE SHADE SYSTEM GREEN HOUSE SYSTEM



INSTRUCTION MANUAL