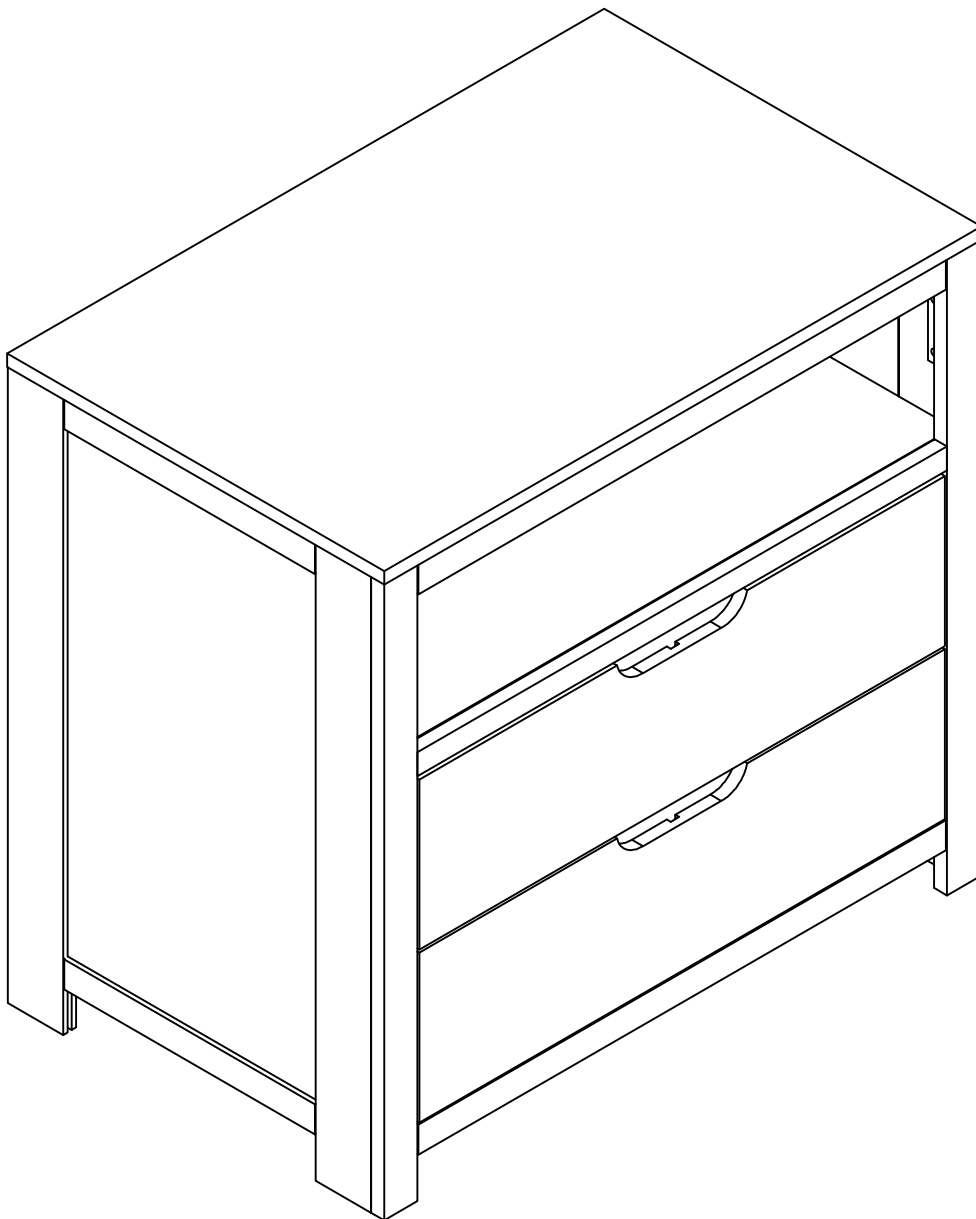
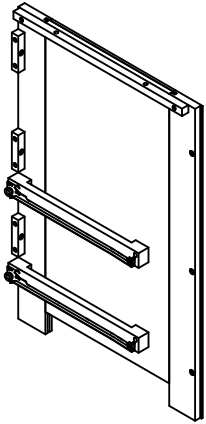


OSLO

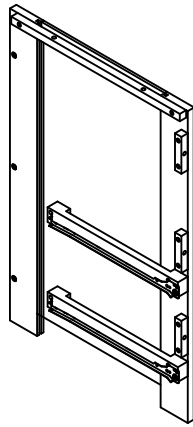


KARLA DUBOIS

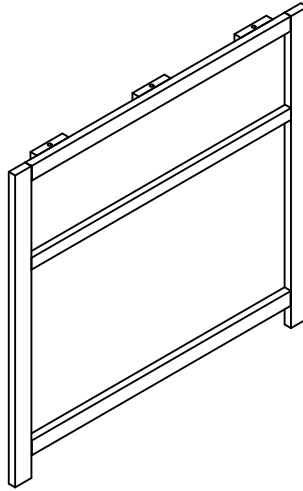
1 (1) Left Side Panel



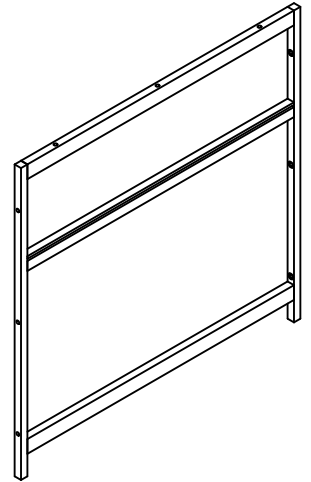
2 (1) Right Side Panel



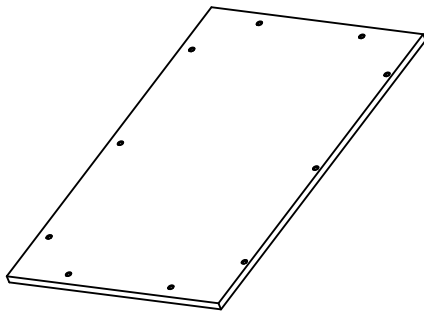
3 (1) Front Frame



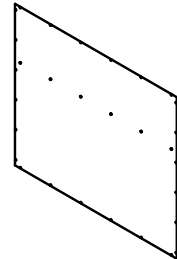
4 (1) Back Frame



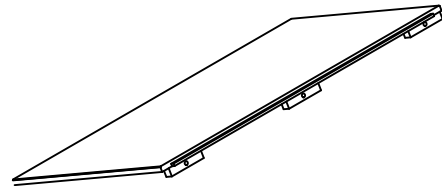
5 (1) Top



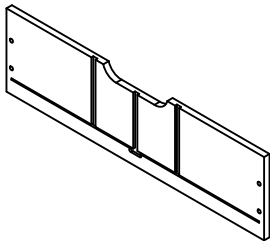
6 (1) Back Panel



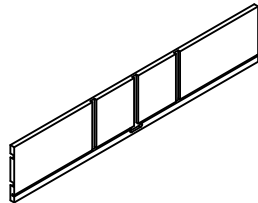
7 (1) Shelf



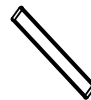
8 (2) Drawer Front



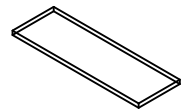
9 (2) Drawer Back



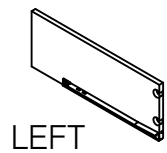
10 (1) Drawer Support



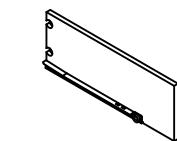
11 (4) Drawer Divider



12 (2) Drawer Side

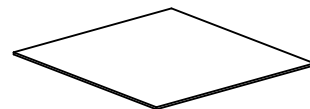


LEFT

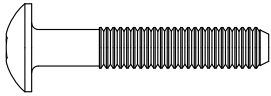


RIGHT

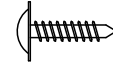
13 (2) Drawer Bottom



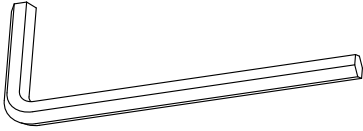
A (25pcs) Allen Head Bolt 1-1/8" (28mm)



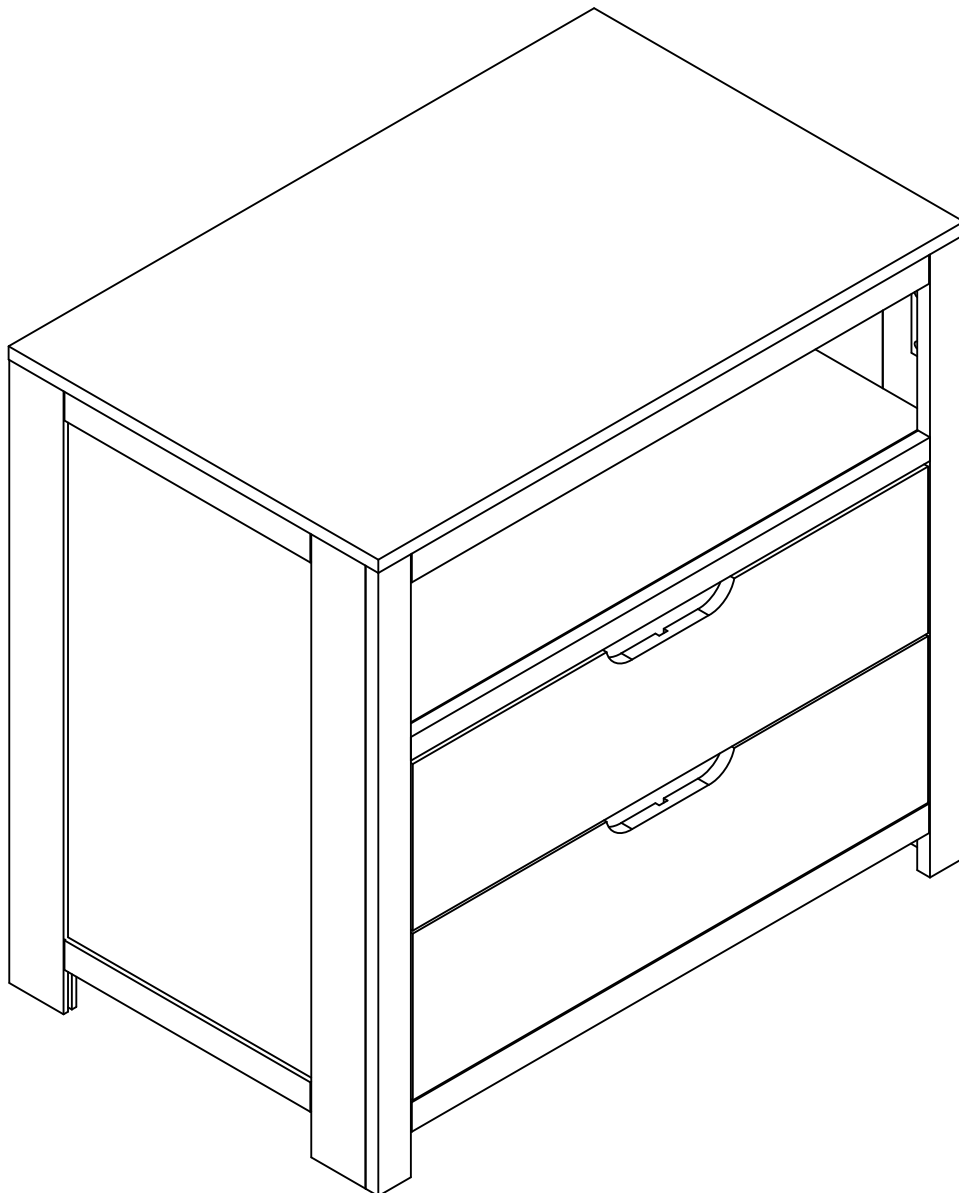
B (30pcs) Small wood screws 3.5*15mm



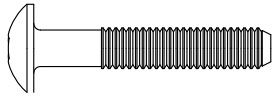
C (1pc) Allen Wrench (4mm)



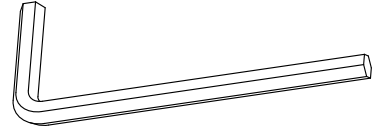
D (4pcs) Wood screws 3.5*22mm



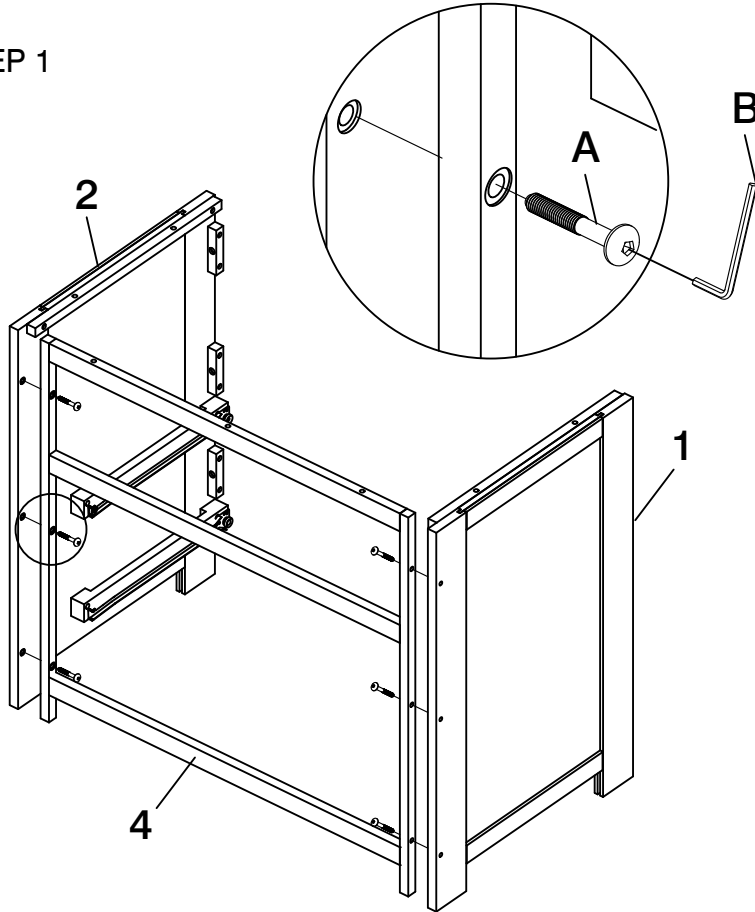
A (6) Allen Head Bolt 1-1/8" (28mm)



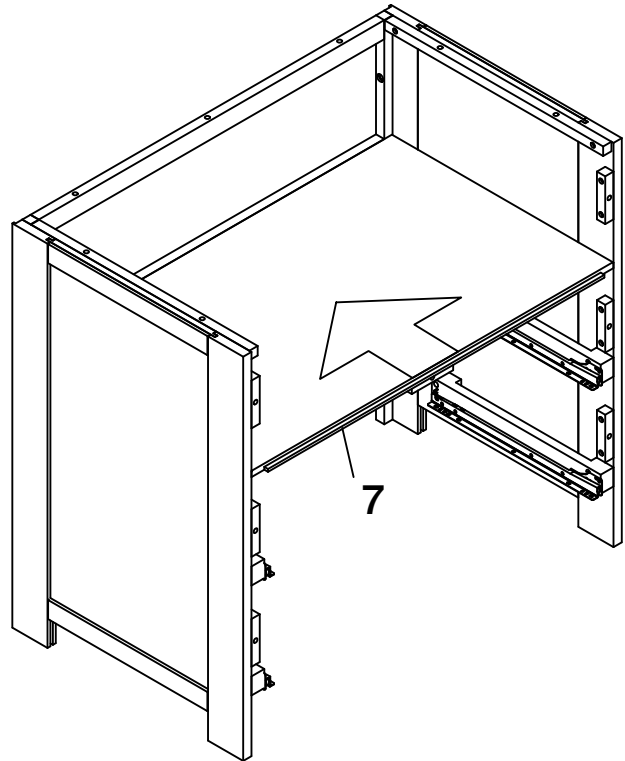
B (1) Allen Wrench



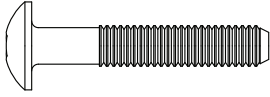
STEP 1



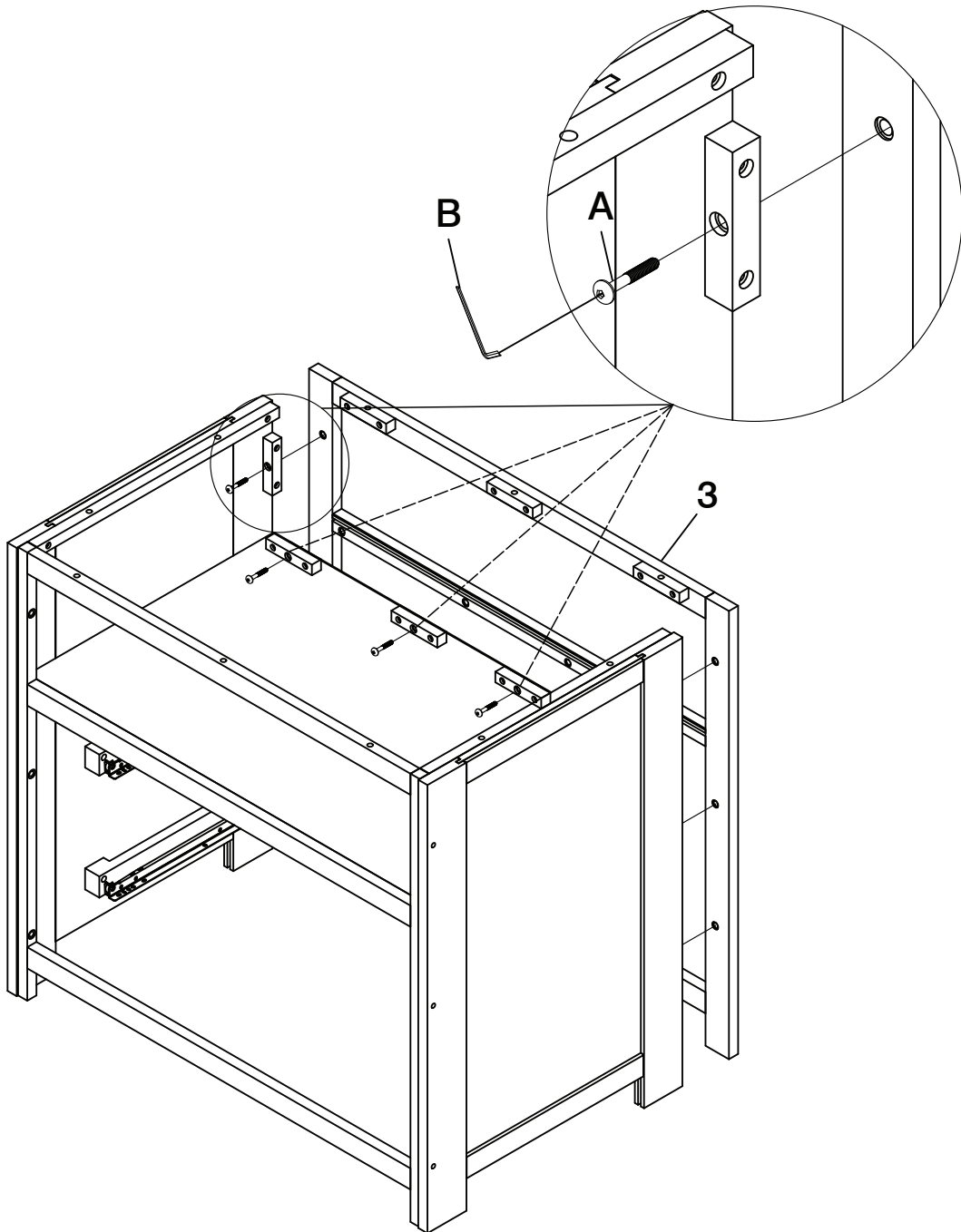
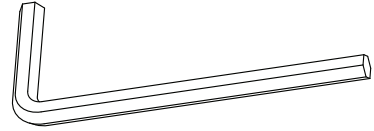
STEP 2



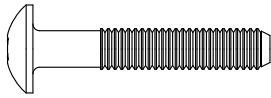
A (9pcs) Allen Head Bolt 1-1/8" (28mm)



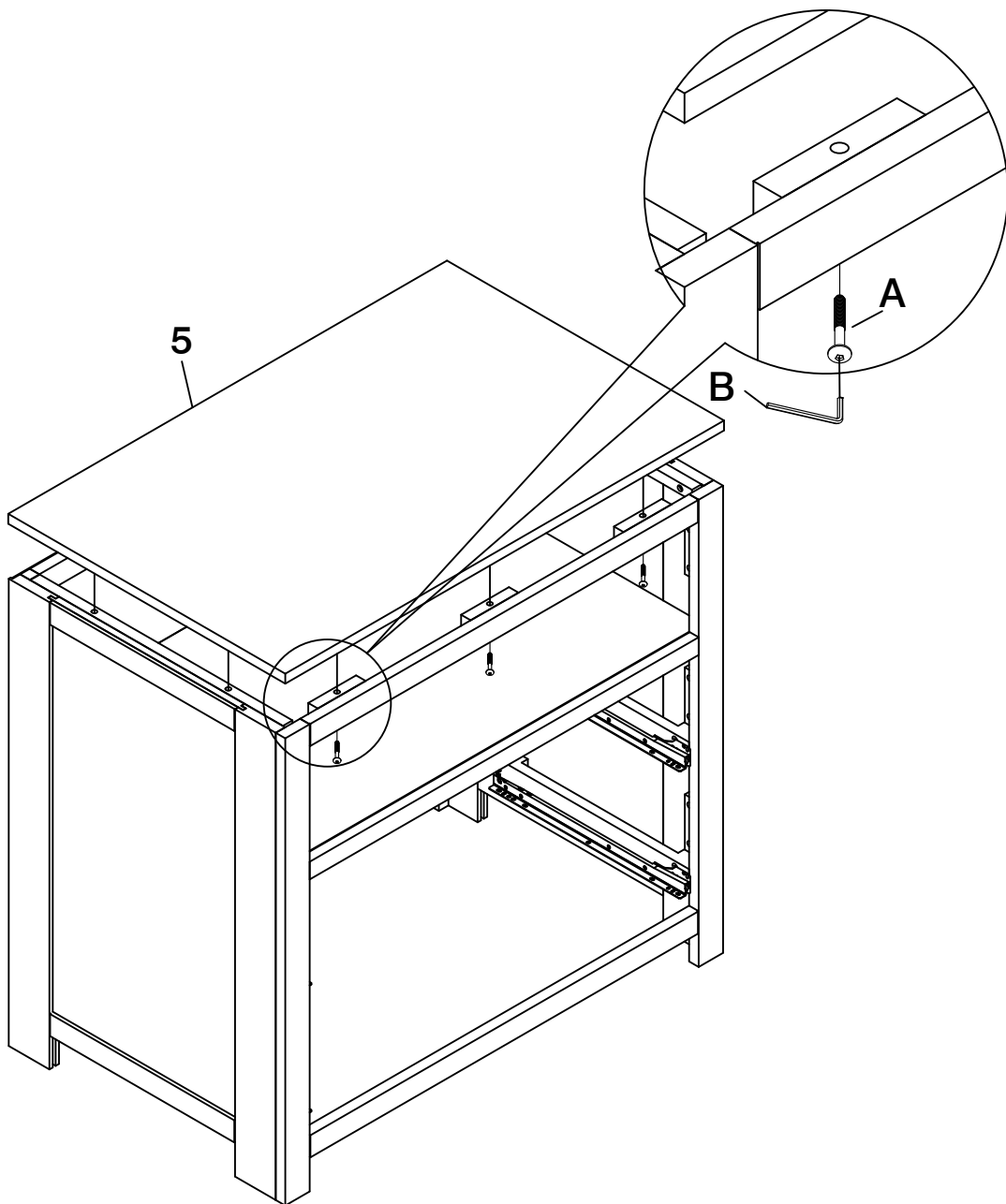
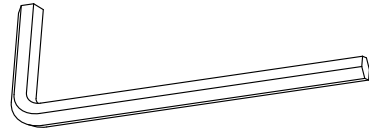
B (1pc) Allen Wrench



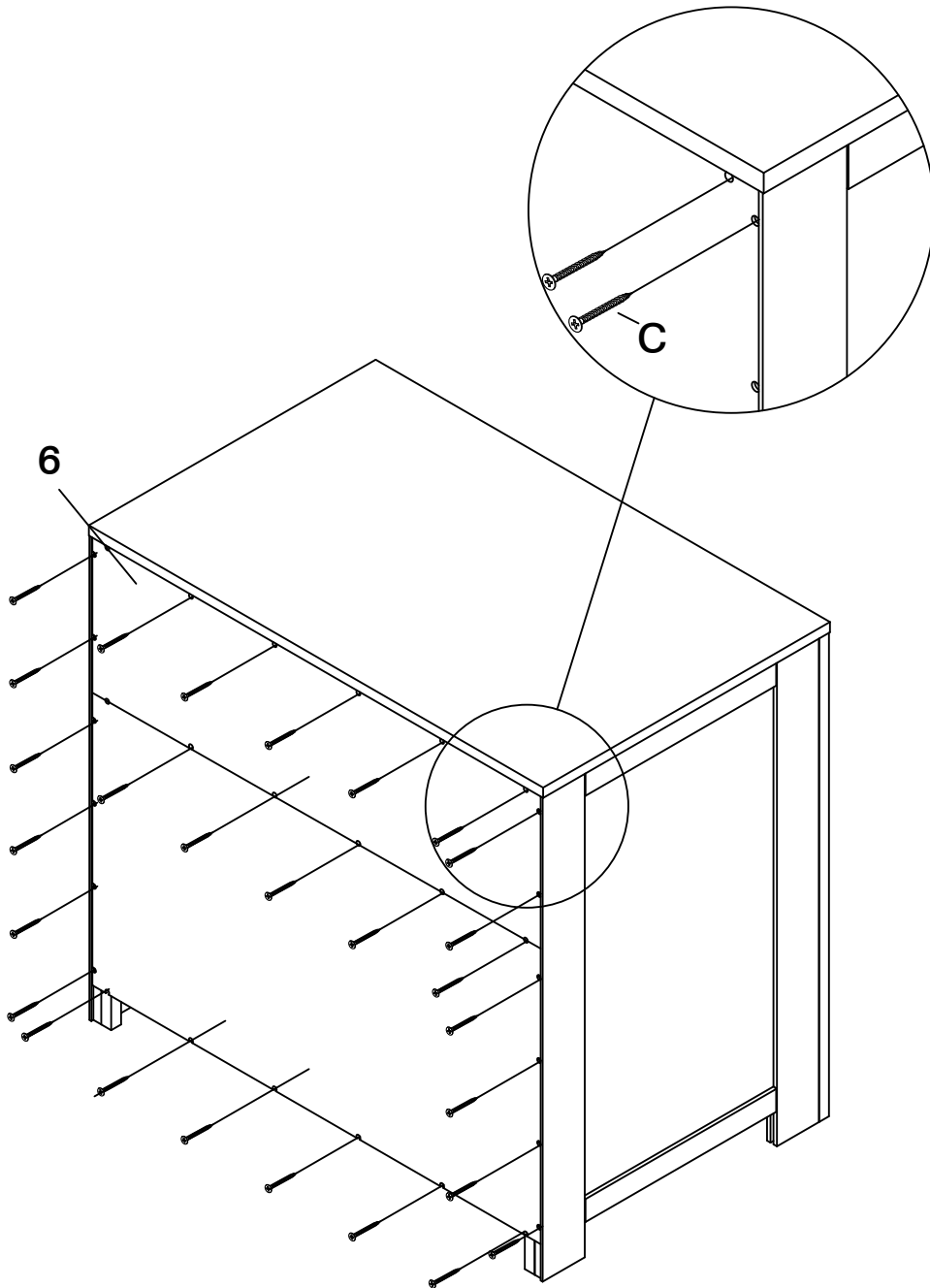
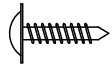
A (10pcs) Allen Head Bolt 1-1/8" (28mm)



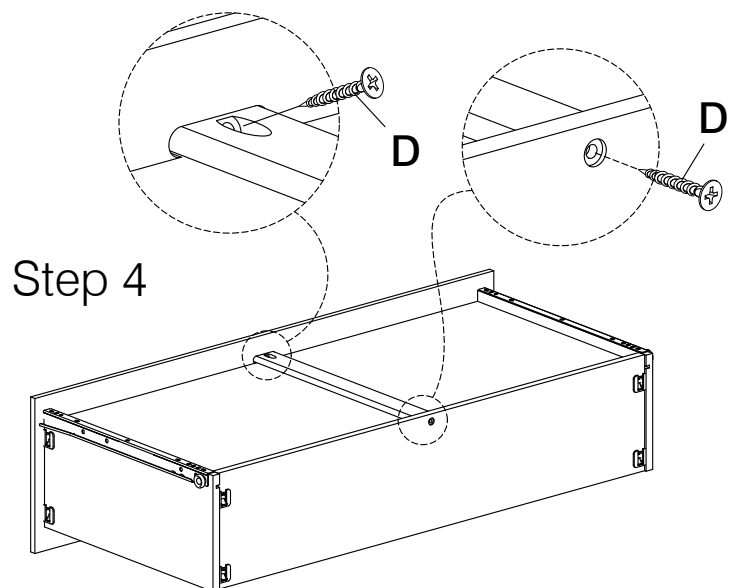
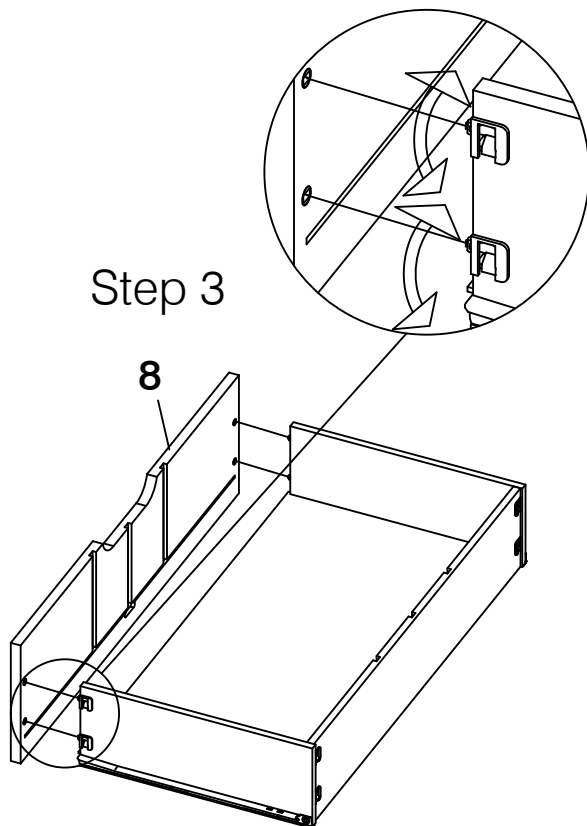
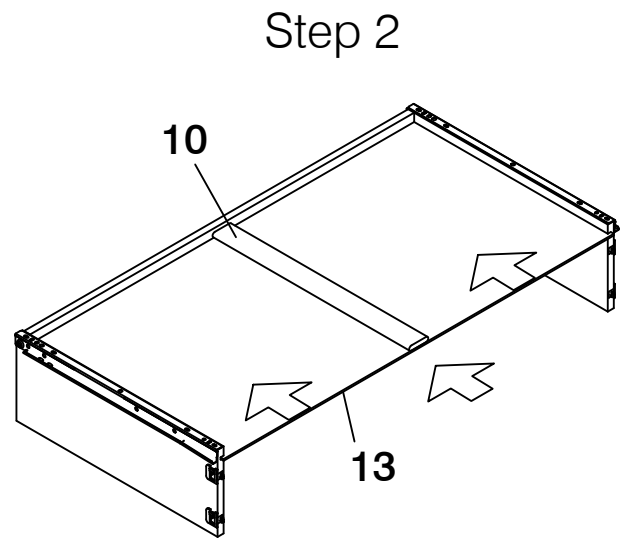
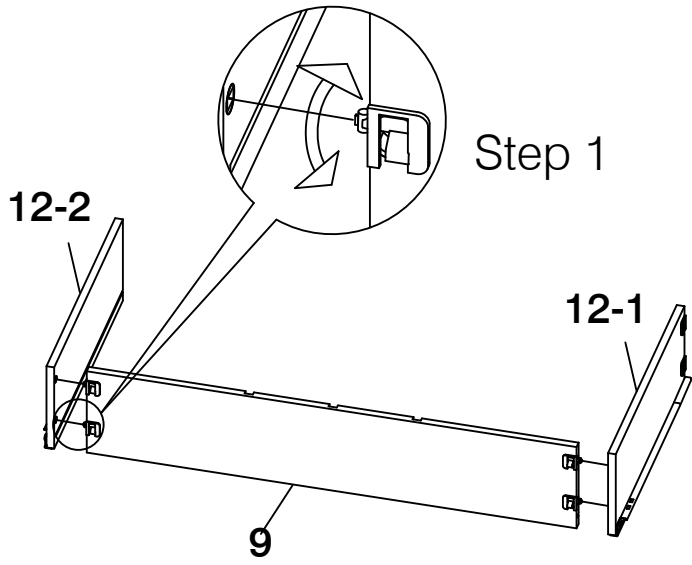
B (1pc) Allen Wrench



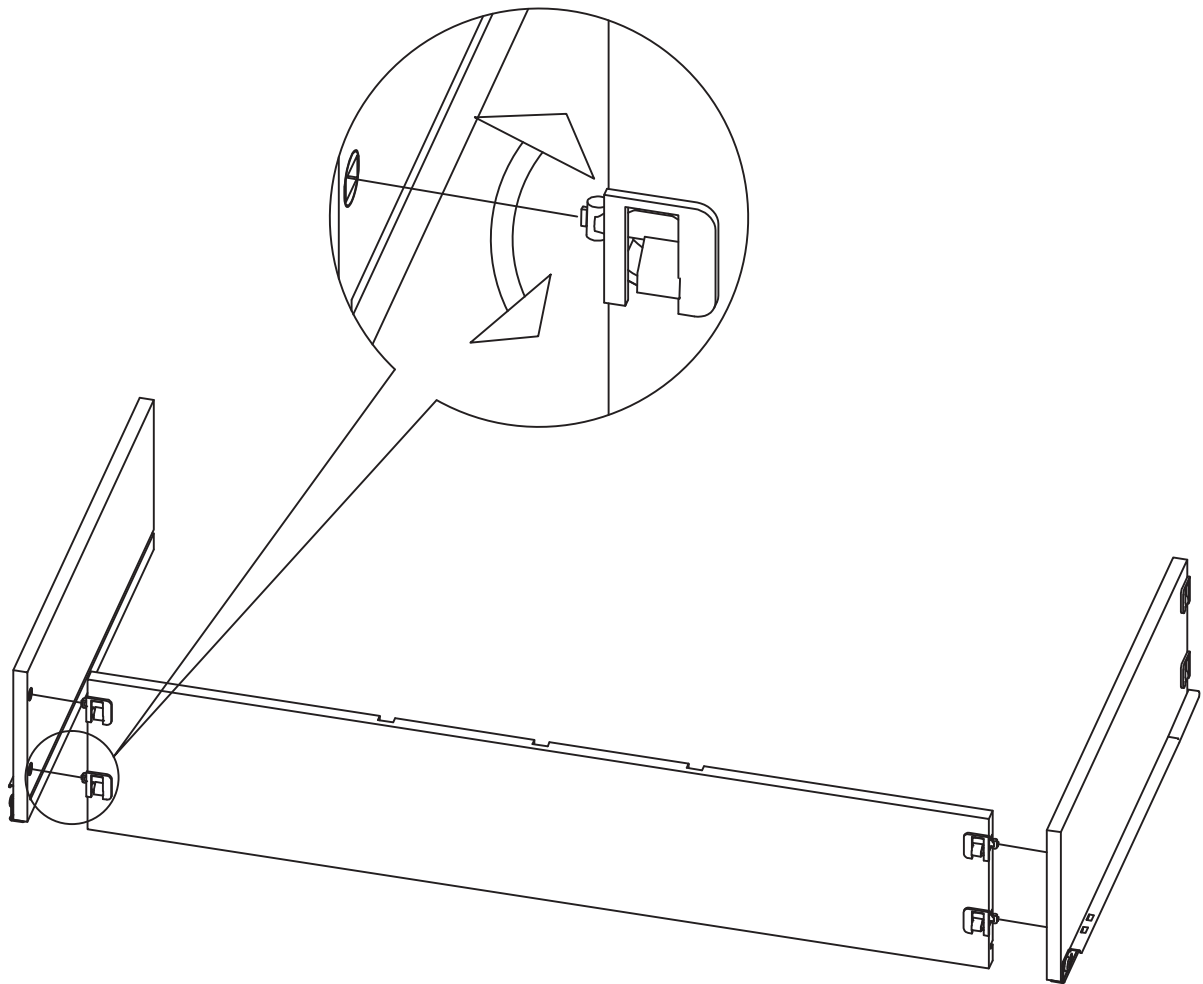
C (30pcs) Small wood screws



INSERT PANEL LOCKS INTO HOLES. FLIP DOWN LEVER TO LOCK.



INSERT PANEL LOCKS INTO HOLES. FLIP DOWN LEVER TO LOCK.



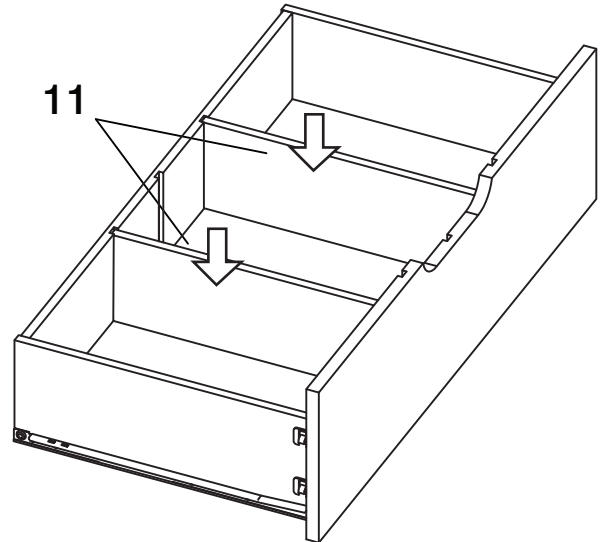
D (4pcs) Wood screws 3.5*22



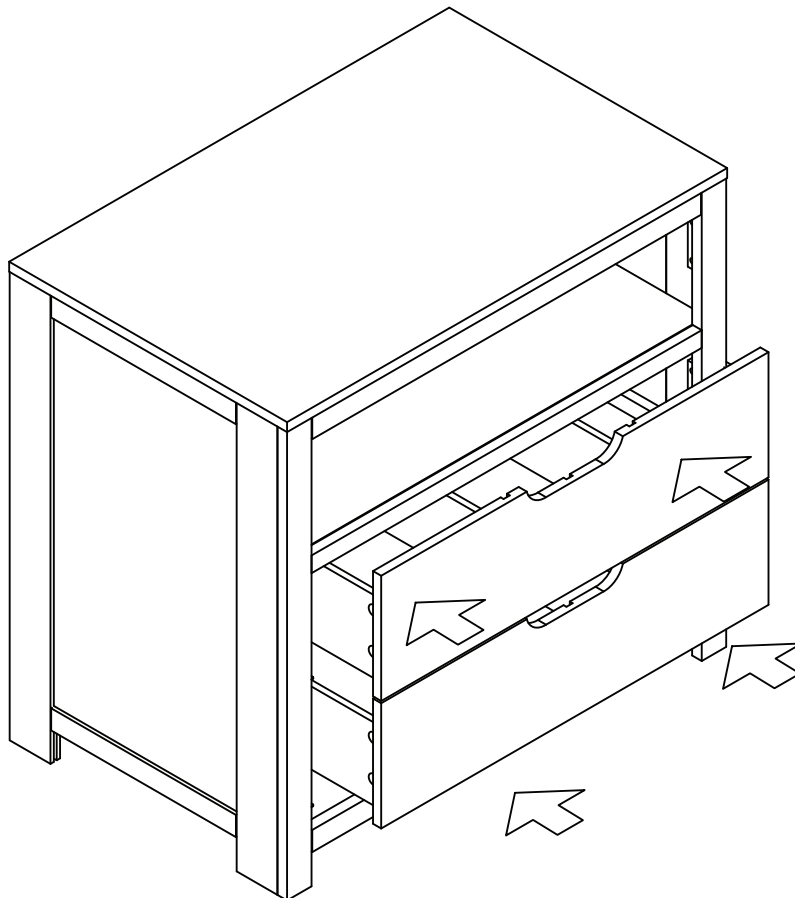
Step 5

DRAWERS CAN BE CONFIGURED WITH DIVIDERS.

CHOOSE YOUR CONFIGURATION AND SIMPLY
SLIDE THE DIVIDERS INTO THE GROOVES.



Step 6



PLEASE MAKE SURE ALL BOLTS AND SCREWS ARE FASTENED SECURELY BEFORE USING.