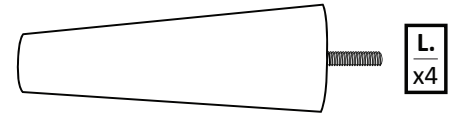
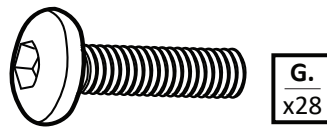
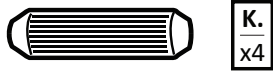
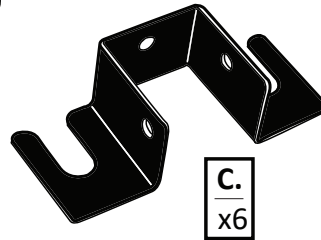
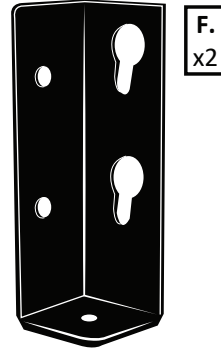
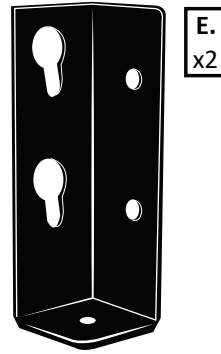
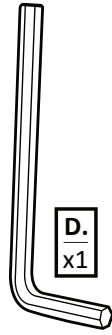
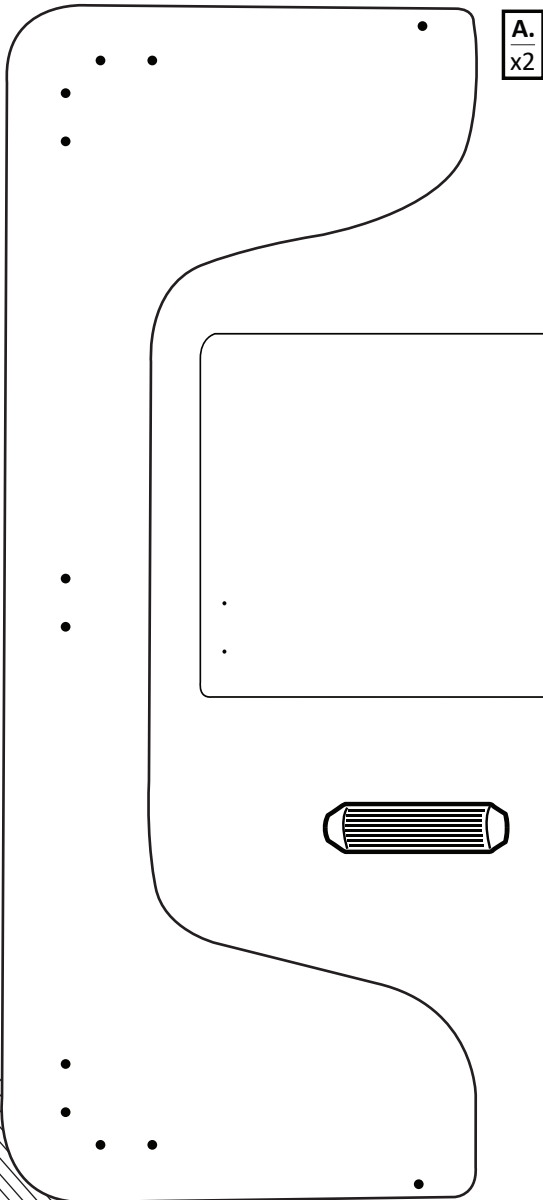




SECOND  
STORY  
HOME



# BODHI

TODDLER BED INSTRUCTIONS

## BOX CONTENTS

- |    |                    |    |                 |
|----|--------------------|----|-----------------|
| A. | SIDE PANEL x2      | G. | BOLTS x28       |
| B. | END PANEL x2       | H. | BOTTOM PANEL x2 |
| C. | SUPPORT BRACKET x6 | I. | SUPPORT BAR x3  |
| D. | ALLEN WRENCH x1    | J. | WOODEN DOWEL x4 |
| E. | LEFT BRACKET x2    | K. | LEGS x4         |
| F. | RIGHT BRACKET x2   |    |                 |

# BODHI

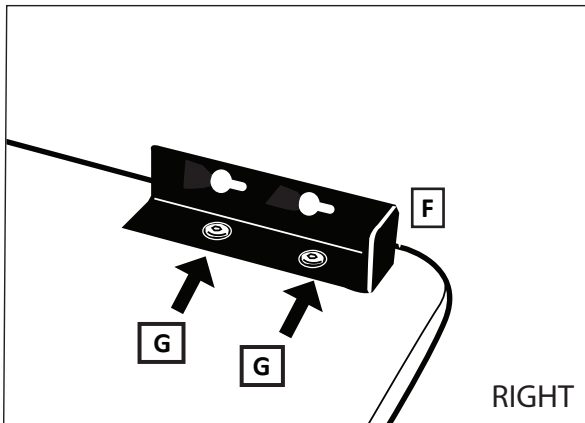
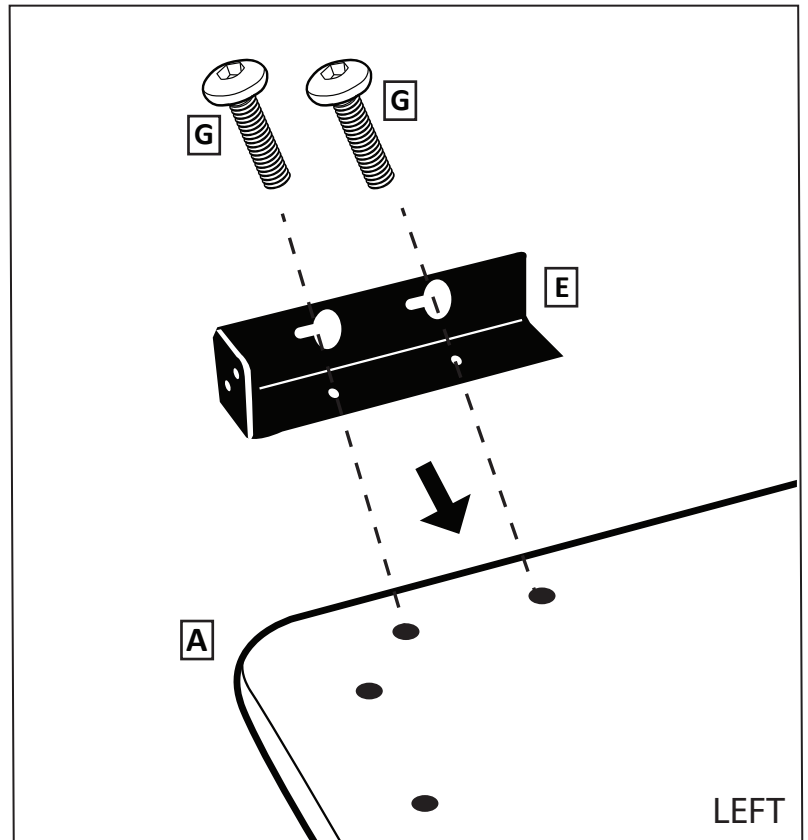
TODDLER BED INSTRUCTIONS

## STEP 01

Use Bolts (G) to attach Left and Right Brackets (E&F) to Side Panel (A) and tighten halfway using Allen Wrench (D). Do not tighten all the way. Repeat until all four brackets have been placed.

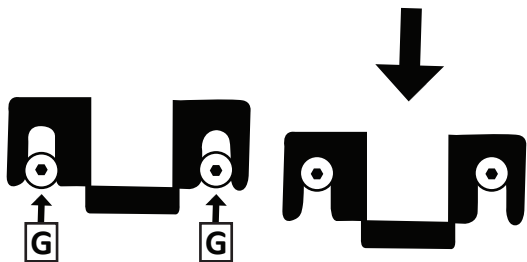
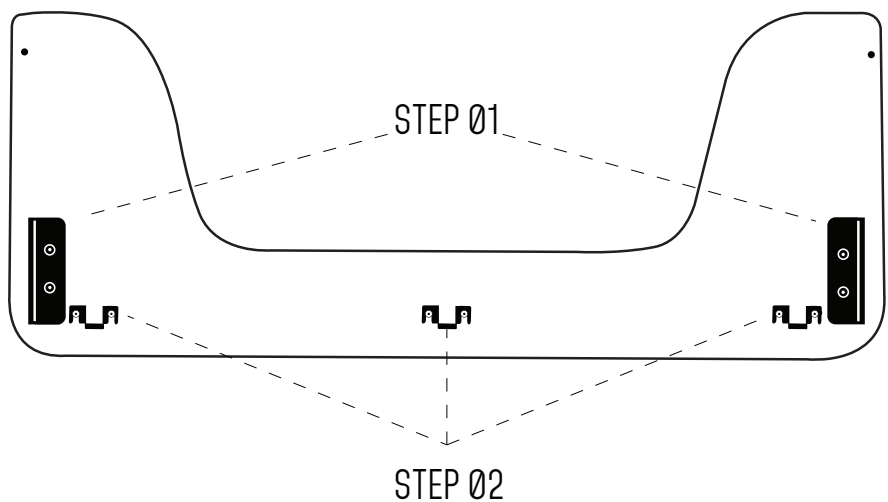
### WHAT YOU WILL NEED

- A. SIDE PANEL x2
- C. SUPPORT BRACKET x6
- D. ALLEN WRENCH x1
- E. LEFT BRACKET x2
- F. RIGHT BRACKET x2
- G. BOLTS x20



## STEP 02

Using the Allen Wrench (D), insert Bolt (G) into the left, center and right side of the Side Panel and screw them in halfway. Once the Support Bracket (C) is in place, the bolts can be screwed fully. DO NOT OVERTIGHTEN. Do this for BOTH side panels.



# BODHI

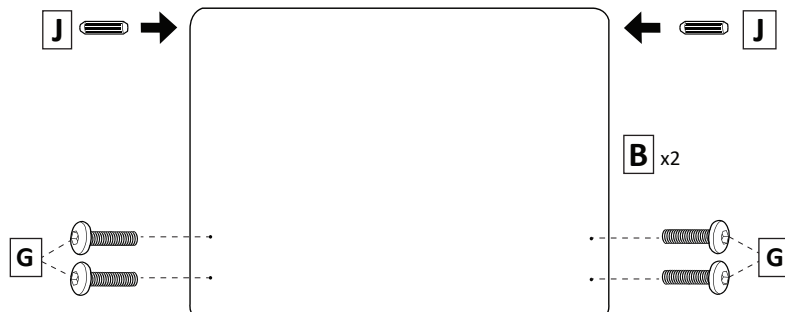
TODDLER BED INSTRUCTIONS

## STEP 03

Insert Wooden Dowels (J) on both sides of the End Panel (B). Then, using the Allen Wrench (D), screw in four Bolts (G). Repeat on other End Panel (B). Don't screw in all the way.

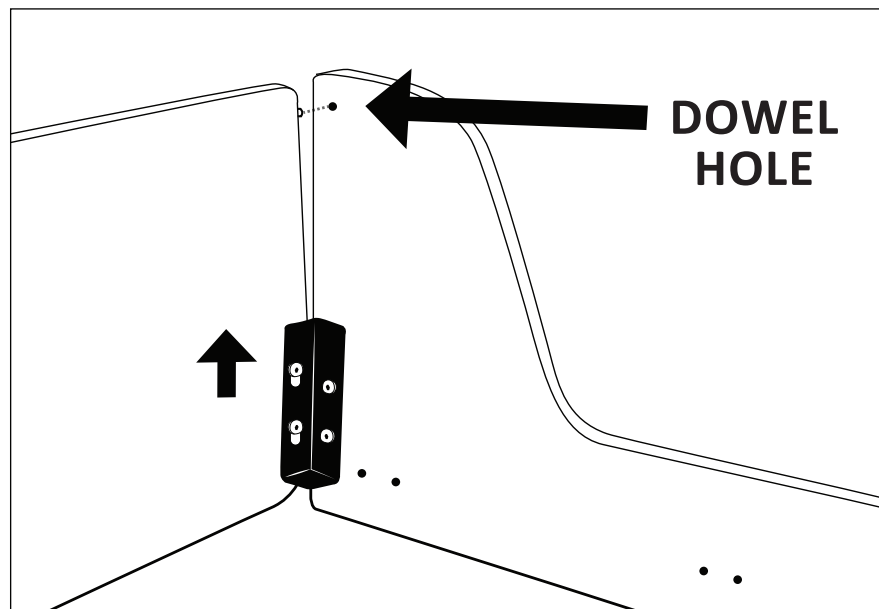
### WHAT YOU WILL NEED

- A. SIDE PANEL x2
- B. END PANEL x2
- D. ALLEN WRENCH x1
- G. BOLT x8
- J. WOODEN DOWEL x4
- K. LEGS x4

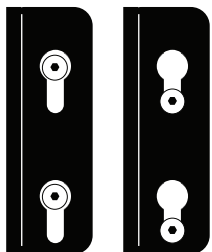


## STEP 04

Attach the End Panel (B) to Side Bracket (E) by placing Bolts (G) inside larger holes and sliding the End Piece (B) up. You must **FIRST** align the dowel to the dowel hole on the Side Panel (A). Once it is aligned, and the dowel is inserted, tighten all Bolts using the Allen Wrench (D). **DO NOT OVERTIGHTEN.**



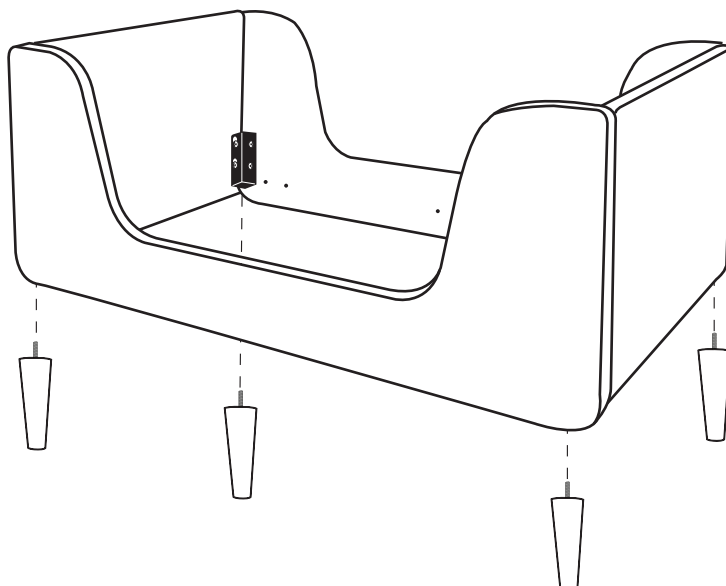
ALIGN BOLT INTO HOLE.



SLIDE END PANEL UP UNTIL BOLT RESTS ON THE BOTTOM.

## STEP 05

Attach Legs (K) to the bottom of the Left & Right bracket. May be easier to flip onto side for installation.

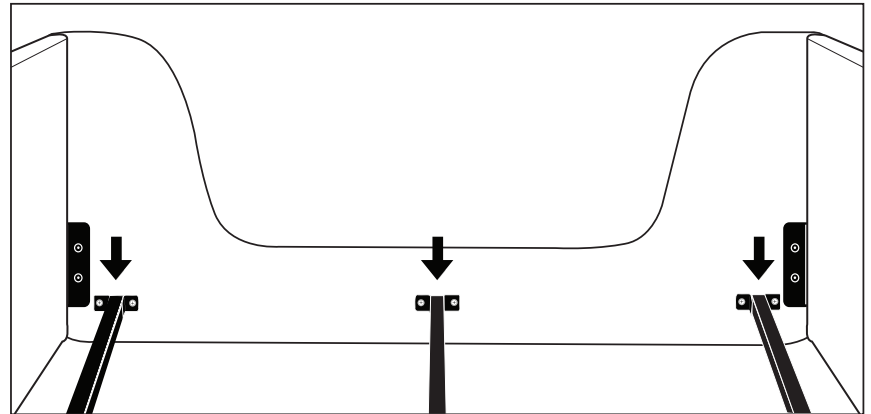


# BODHI

TODDLER BED INSTRUCTIONS

## STEP 06

Place Support Bars (I) in Support Brackets (C).

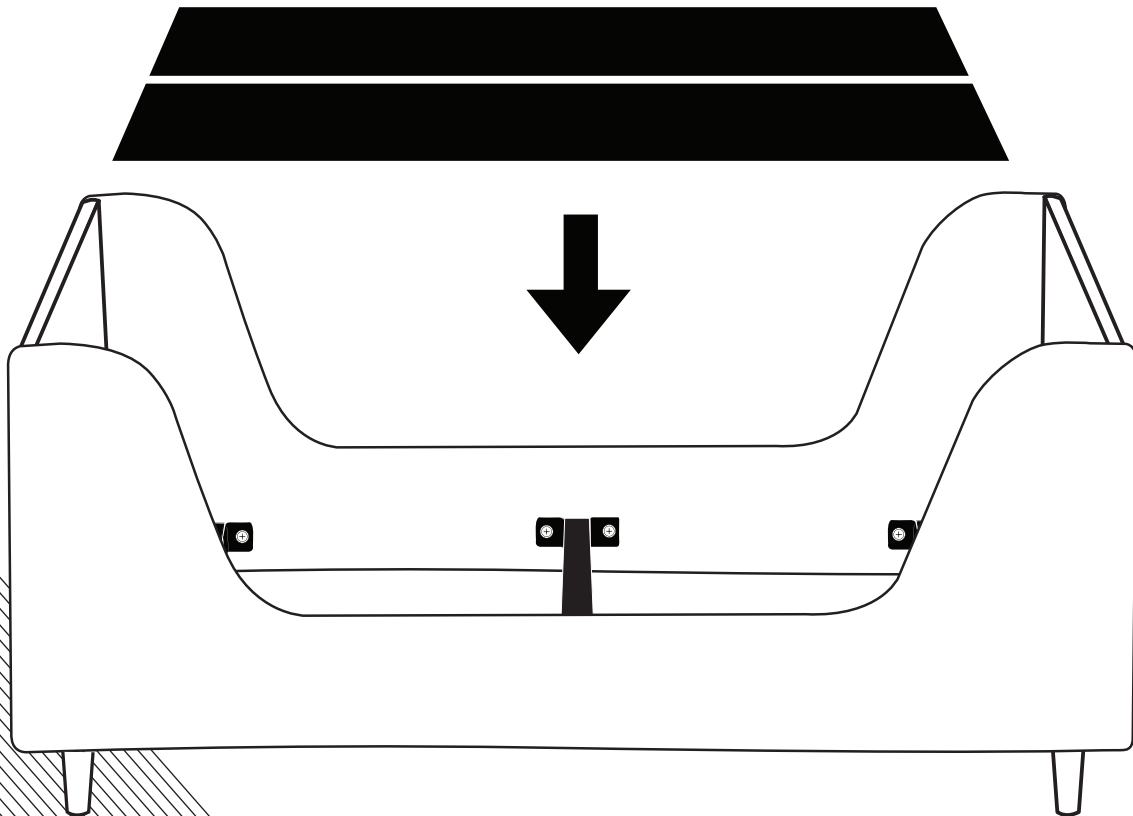


### WHAT YOU WILL NEED

- C. SUPPORT BRACKET x6
- D. ALLEN WRENCH x1
- H. BOTTOM PANELS x2
- I. SUPPORT BAR x3

## STEP 07

The last step to building the Bodhi Toddler Bed is to place Bottom Panels (H) over support bars. **CHECK ALL BOLTS TO BE SURE THAT THEY ARE SECURED BEFORE PLACING THE MATTRESS DOWN.**



# BODHI

TODDLER BED INSTRUCTIONS

CHECK ALL BOLTS TO BE SURE THAT THEY ARE SECURED BEFORE USE.

## CARE AND MAINTENANCE

PERIODICALLY CHECK YOUR BED FOR ANY LOOSE BOLTS AND SCREWS AND TIGHTEN WHERE NEEDED. IF BED IS DAMAGED, DO NOT USE. CONTACT US FOR REPLACEMENT PARTS. SPOT CLEAN ONLY. AVOID EXCESS MOISTURE.

## ONE YEAR LIMITED WARRANTY

DEFECTIVE PARTS WILL BE REPLACED WITH A ONE YEAR PERIOD FROM DATE OF ORIGINAL PURCHASE. MISSING PARTS WILL BE REPLACED WITHIN 30 DAYS FROM THE DAY OF ORIGINAL PURCHASE. SECOND STORY HOME WARRANTS ONLY NEW UNITS PURCHASED IN ITS ORIGINAL PACKAGING.

THE WARRANTY DOES NOT COVER USED, SECOND HAND OR DEMOS AND IS NON-TRANSFERABLE.

ANY DAMAGED OR DEFECTIVE PART THAT RESULTS FROM NORMAL WEAR AND TEAR, ABUSE, NEGLIGENCE, IMPROPER USE OR ALTERATION TO THE FINISH, DESIGN AND HARDWARE OF THE BED, OR THE ASSEMBLY OF THIS PRODUCT ARE NOT COVERED. THE SPECIFIC LEGAL RIGHTS OF THIS WARRANTY MAY VARY FROM STATE TO STATE. SOME STATES DO NOT ALLOW ANY EXCLUSION OR LIMITATION OF INCIDENTAL OR CONSEQUENTIAL DAMAGES. SOME STATES DO NOT ALLOW LIMITATIONS ON HOW LONG AN IMPLIED WARRANTY LASTS.

## CONTACT US

PLEASE VISIT OUR WEBSITE AT [WWW.SECONDSTORYHOME.COM](http://WWW.SECONDSTORYHOME.COM). THERE, YOU CAN FIND MORE PRODUCT INFORMATION, REGISTER YOUR PRODUCT, CONTACT US OR REQUEST REPLACEMENT PARTS.

YOU CAN EMAIL OR WRITE  
[SUPPORT@SECONDSTORYHOME.COM](mailto:SUPPORT@SECONDSTORYHOME.COM)

SECOND STORY HOME  
1477 DAVRIL CIR  
CORONA, CA 92878