

## Cabinet Assembly Instructions

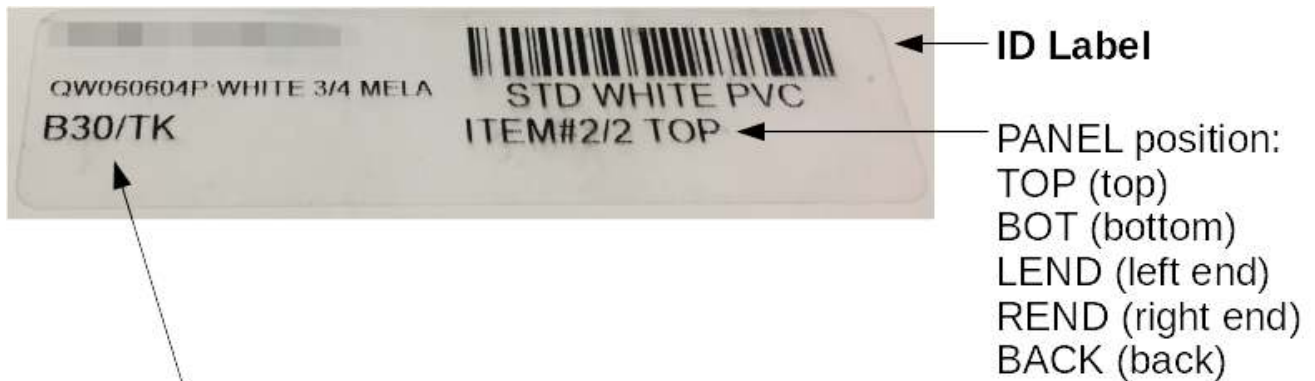
### Pallet Notes:

- All pallets contain parts of your cabinet box order ready for assembly.
- There are a few extra parts used to stabilize the pallet packing which are not part of your order. These extra parts have no ID labels, and may even be a different color or material from your order.
- Confirmat screws are packed in a plastic bag within the pallet contents.

Best way to assemble follows:

### **SORTING BY ID LABEL:**

Organize like Item numbers together as you unpack the pallet. Every part has a label ID'ing it by cabinet type, part name & its corresponding Item # from the order.



Room: Kitchen		Area: 1		Cat
Item #	Qty	Item	Description	Adj Shelf
1	1	B30/TK	Base Cabinet For Two Doors 30 W x 34 1/2 H x 23 3/4 D Quantity of Adjustable Shelves Per Cabinet = 1	1
Room: Kitchen		Area: 1		Cata

**Cabinet Parts List**

The sorting process should take about 2-3 hours depending on your order size. Taking time to sort parts will make assembly much faster and easier!

Do not discard any parts until after all cabinets are completely assembled.

## **ASSEMBLY:**

**NOTE: Left & Right End Panels (LEND and REND on labels)** for each cabinet box are pre-stamped with the word **“TOP”** in red. There is a right and left end panel, they are not interchangeable. Make sure the **TOP** stamp is oriented to what will be the top of the cabinet.

Assembling the cabinets on their end is the easiest way to construct them. See diagrams after all written assembly instructions in this document.

### **Cabinet Box:**

- Position Right End Panel with dado grooved edge down.
- Insert pre-doweled Top and Bottom panels into pre-bored holes on the Right End Panel.
- Install Confirmat Screws into pre-bored holes through Right End Panel into Top & Bottom Panels.
- Carefully roll the 3 panel assembly so the Right End Panel is lying on the floor, with the Top & Bottom Panels standing up.
- Slide the 1/4” thick back panel into the dado grooves on the top, bottom and side Panel.
- Place the Left End Panel onto the Top & Bottom Panels, lining up the dowels and back piece so it seats fully into the dado groove on all sides.
- Drive in the confirmat screws through the Left End Panel into the Top & Bottom Panels.
- If you would like, you can run a bead of wood glue around the perimeter of the back panel on the back of the cabinet. This is optional.
- Glue the 1/2” thick plywood nailer (s) to the top of the back panel so it sits up against the underside of the top panel.
- There may be more than one 1/2” plywood nailer per cabinet depending on your order. If so, one gets glued to the top, one to the bottom.

### **Adjustable Legs:**

- Seat the Leg Socket nipples into the pre-bored holes on the underside of the Bottom Panel and secure each one with 4 screws provided.
- Insert the Adjustable Legs fully into the Leg Sockets, and screw each one down to their shortest possible length.
- **Note:** Not all Base and Tall Cabinets have 5 legs, depending on width.
- Carefully stand the assembled cabinet box upright on its legs.
- It's ready to install.

## **FUNCTIONAL HARDWARE**

### **Drawer Guides**

Install the Drawer Guides in the pre drilled holes with 5mm system screws. They are the stubby looking screws with flattened points. Refer to your design documents during assembly for number of drawers & doors per cabinet.

### **Hinges**

Install the hinge mounting plates in the pre-drilled 5mm holes (3/16" bit) at the tops & bottoms of the side panels. Hinge location will vary depending on number of doors and hinge type.

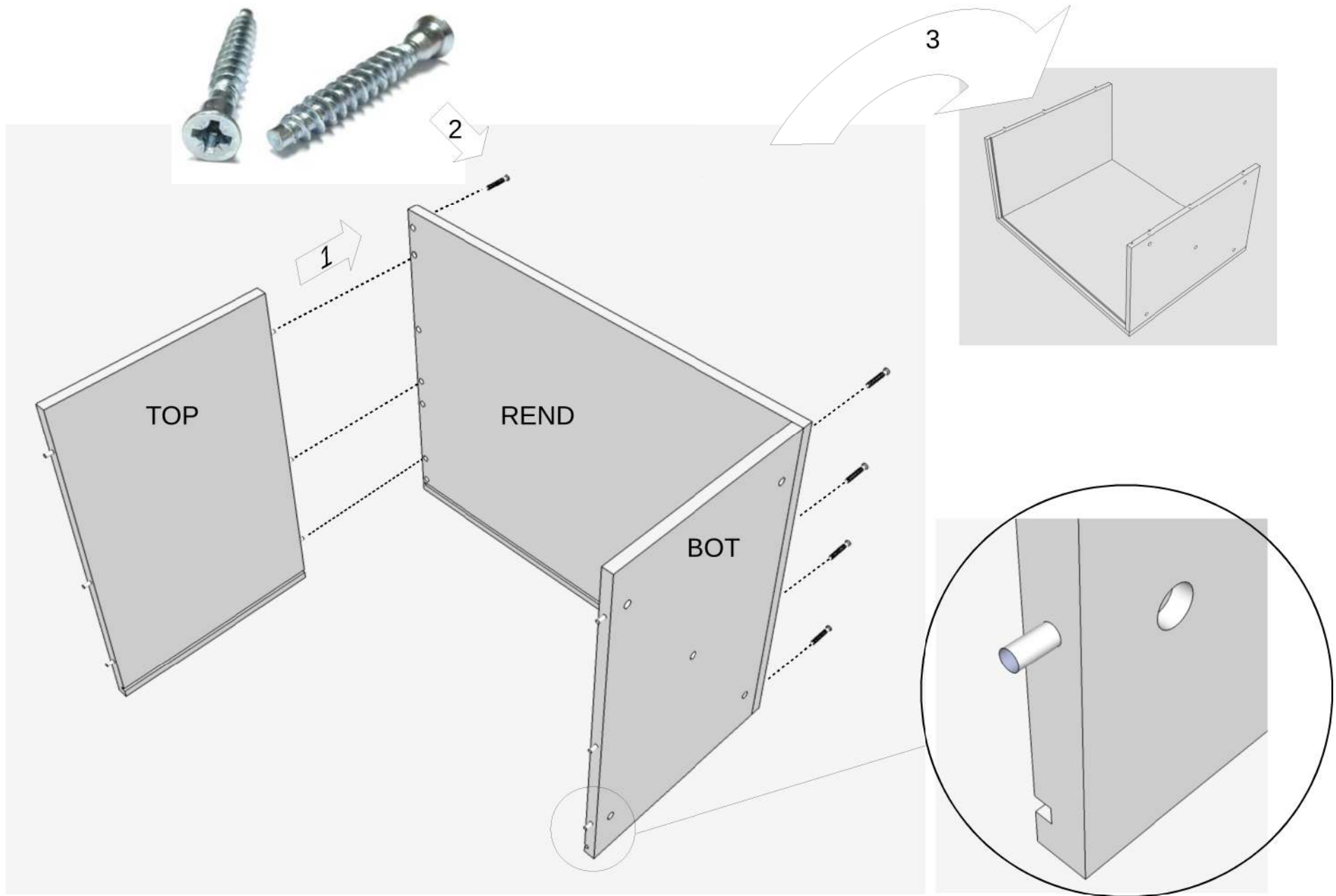
## **FINISHED DOOR & DRAWER FRONT INSTALLATION**

Doors and drawer fronts can be installed after the cabinet boxes are securely installed. Take care to protect finishes from other construction activity.

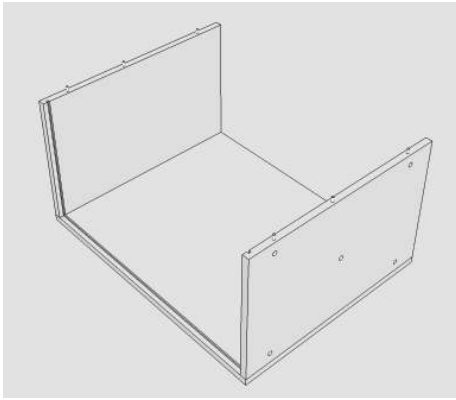
## **DECORATIVE HARDWARE**

Commonly called pulls, pull hardware, or handles, these vary enormously in size and location and depend on the particular pulls used for your project.

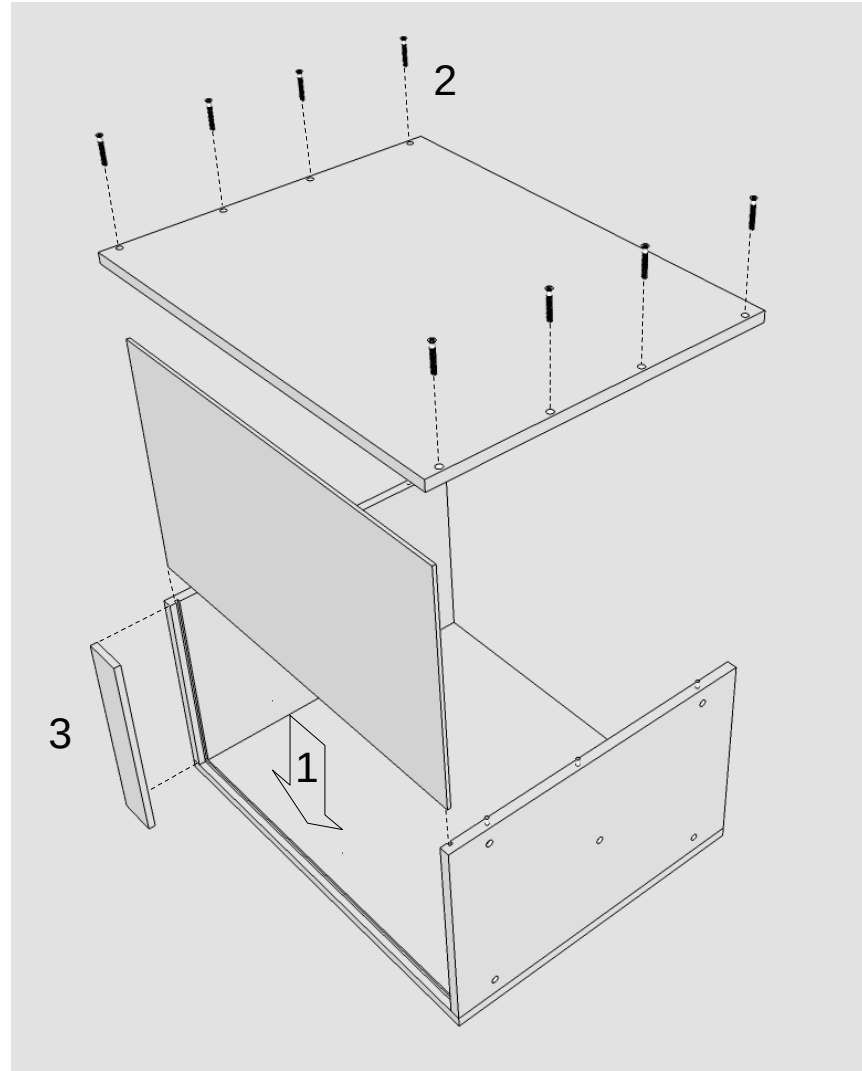
It is strongly recommended to install decorative hardware as the final step after cabinet installation.



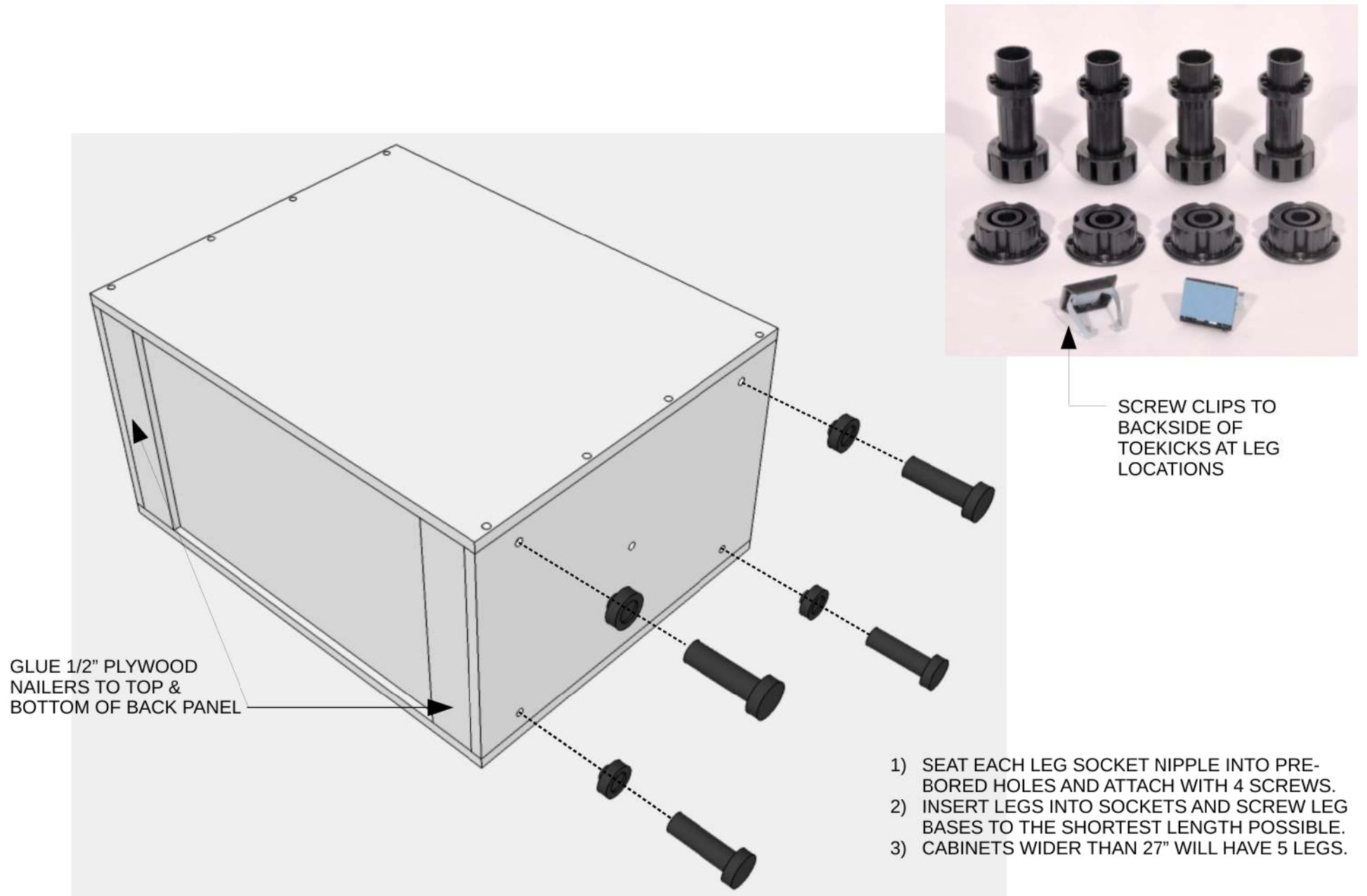
## Base Cab Assembly: Step 1



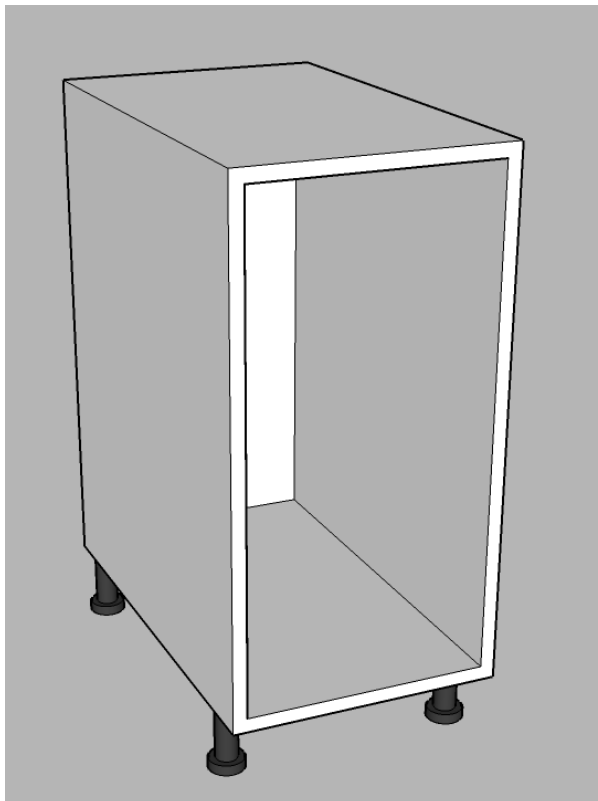
FROM STEP 1 !



## Base Cab Assembly: Step 2

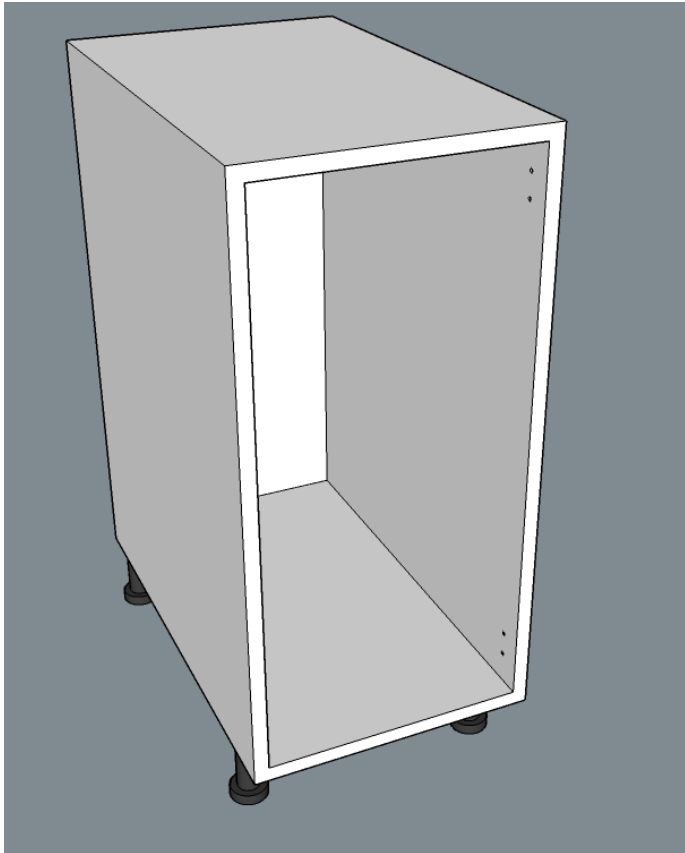


### Base Cab Assembly: Step 3

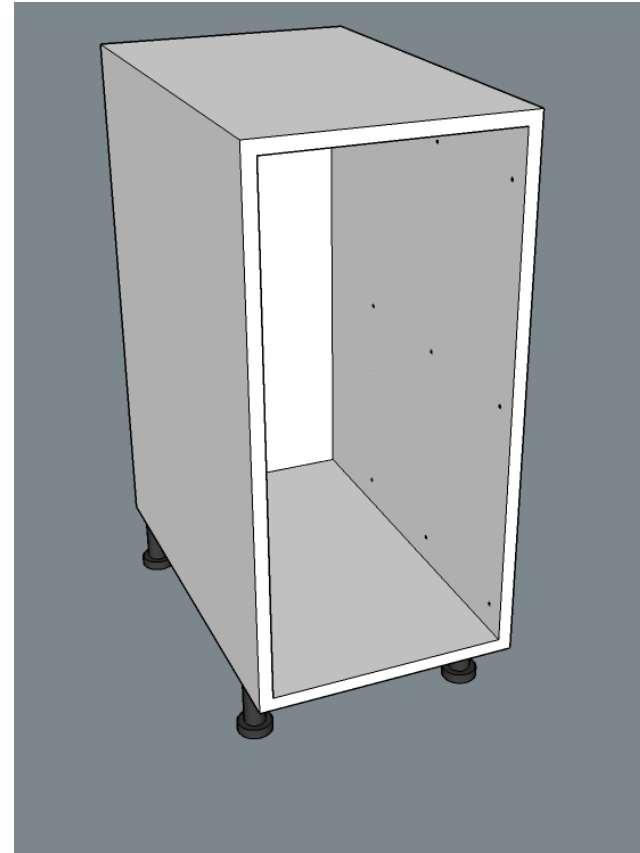


STAND CABINET UPRIGHT: READY TO INSTALL!

## Base Cab Assembly: Step 4



EXAMPLE OF CAB PRE-DRILLED FOR DOORS



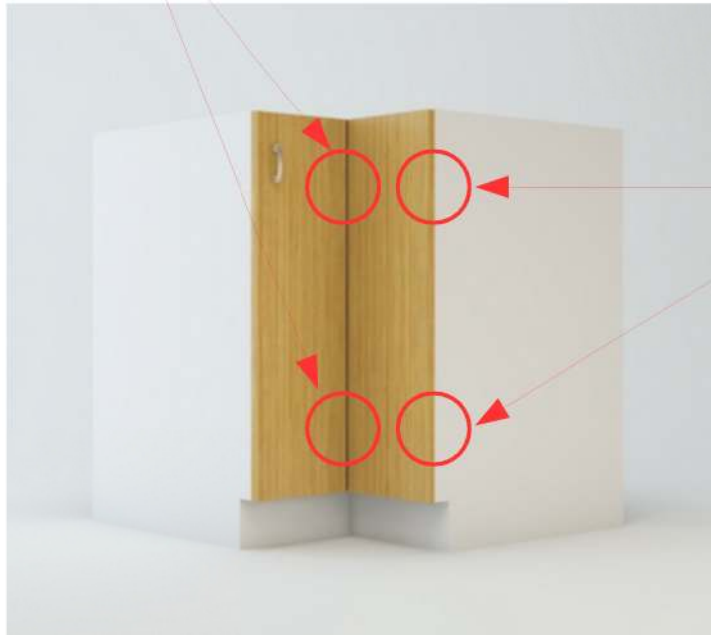
EXAMPLE OF CAB PRE-DRILLED FOR DRAWERS

**Base Cab Assembly: Step 5**  
Install door hinge plates, shelves and drawers as applicable.





60\* hinges  
Attach 2 door leaves  
together.



Right Angle Equal leg corner base  
cabinet (BRAC)



170\* hinges  
Attach 1 door leaf to  
the cabinet box.



## 110\* hinges

Attach to

- swinging door to base cabinets
- swinging door to wall cabinets
- upper swinging doors on tall cabinets
- tall lower doors on tall cabinets **with shelves**





155\* hinges

Attach to

- tall doors on tall cabinet **with internal drawers**





### Nickel plated spoon shelf pegs

**NOTE:**  
Install shelves in installed cabinets prior to installing doors.



### 1 1/8" long #6 wood screws

For attaching finished end panels to cabinet boxes.

**(NOT supplied by ModCabs)**



### Blum system screws

For attaching drawer guides to cabinet boxes.