

ML-WM-5093

LED WALL PACK



DESCRIPTION

LED Full Cut-off Wallpack provides efficient lighting to where you needed most. It is Dark Sky friendly and provides exceptional lumens per watt. It has a Type III Forward throw directing light for maximum coverage. With industrial grade polycarbonate lens, this fixture is great for schools, parks, correctional facilities, and other public areas.

Specification Features



Construction

► Industrial grade die-cast aluminum alloy body is tough on the elements and allow the luminaire to withstand the harshest of conditions.

Optical System

► Next generation LEDs combined with the best-in-class UV stablized commercial grade polycarbonate lens provide the most efficient lighting system. Optical system is engineered to provide professional grade light distribution and uniformity.

Electrical

► Long lasting LED coupled with UL Listed Drivers provide an electrical system that will stand the test of time. Universal voltage allow the luminaire to be used in multi-faceted environments.

Finish

► Luminaire is electrostatically coated with UV stabilized powder coat providing years of worry-free service.

Certification

► cUL and UL Listed. Listed for Wet Locations. DLC Premium certified.

Ordering information

Model No.	System Watts	Input Voltage	CRI	Color Temp	Distribution	Option Accessories	Finish	Starting Temp
ML-WM-5093-41W-4K-T3-UV-BZ	41W	120-277V	70+	4000 K	Type III	Photocontrol	Bronze	-40°C
ML-WM-5093-63W-4K-T3-UV-BZ	63W			5000 K	Type IV	Emergency Driver		
ML-WM-5093-76W-4K-T3-UV-BZ	76W							

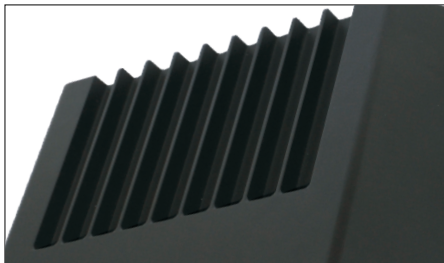
* DISCLAIMER: This test report was produced in accordance with IES LM-79 photometric testing protocol for luminaires, using a single representative test fixture. Actual production units may vary from the values reported here by up to ±10%.

Product Description



Door Frame

The door frame is designed with the installer in mind. It has a simple to use hinge access, allowing installers to be hands-free when entering electrical compartment. This saves time and money.



Integrated Heatsink

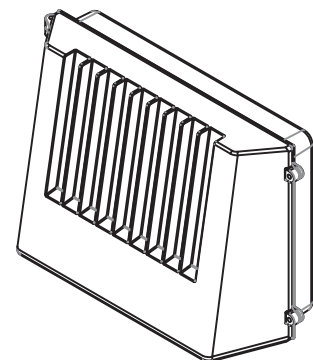
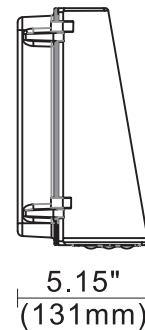
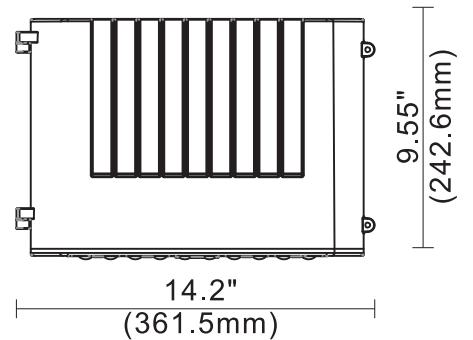
Integrated cooling fin provides excellent thermal dissipation. This design allows the fixture to have extremely long lifetime hours.



Proprietary Optical Control

Specifically designed lens for freedom of layout design without any restraint. These optics are engineered for maximum light output.

Product Dimensions



Performance Data

* Lumen and Efficacy shows the highest wattage at 5000K

Model NO.	System Watts	Lumens	LPW
ML-WM-5093-41W-4K-T3-UV-BZ	41W	5539 lm**	135 lm/w
ML-WM-5093-63W-4K-T3-UV-BZ	63W	9044 lm**	143 lm/w
ML-WM-5093-76W-4K-T3-UV-BZ	76W	10420 lm**	137 lm/w

* DISCLAIMER: This test report was produced in accordance with IES LM-79 photometric testing protocol for luminaires, using a single representative test fixture. Actual production units may vary from the values reported here by up to ±10%.