

ML-WM-4998

FLOOD LIGHT & AREA LIGHT

DESCRIPTION

This sleek and modern luminaire has been designed to handle any environment. With an appealing slimline design along with one of the highest lumen performance on the market, this versatile fixture can be used as a flood light or an area light. Including a multitude of mounting options, surge protection devices, IOT photocell capability, and the most technologically advanced LED's on the market, the LED-3015 is ready to conquer the lighting landscape.



Specification Features



Construction

► Industrial grade die-cast aluminum alloy body is tough on the elements and allow the luminaire to withstand the harshest of conditions.

Optical System

► Next generation LEDs combined with the best-in-class UV stablized commercial grade polycarbonate lens provide the most efficient lighting system. Optical system is engineered to provide professional grade light distribution and uniformity.

Electrical

► Long lasting LED coupled with UL Listed Drivers provide an electrical system that will stand the test of time. Universal voltage allow the luminaire to be used in multi-faceted environments

Finish

► Luminaire is electrostatically coated with UV stabilized powder coat providing years of worry-free service.

Certification

► cUL and UL Listed. Listed for Wet Locations. DLC Premium certified

Ordering information

Model No.	System Watts	Input Voltage	CRI	Color emp	Distribution	Option		Finish	Starting Temp
						Accessories	Mounting		
ML-WM-4998-12W-5K-UV	12W	120-277V	70+	3000 K	Type III	Photocontrol	Wall Mount	Bronze	-40°C
ML-WM-4998-23W-5K-UV	23W			4000 K 5000 K	Type IV				

* DISCLAIMER: This test report was produced in accordance with IES LM-79 photometric testing protocol for luminaires, using a single representative test fixture. Actual production units may vary from the values reported here by up to ±10%.

Product Description

Product Dimensions



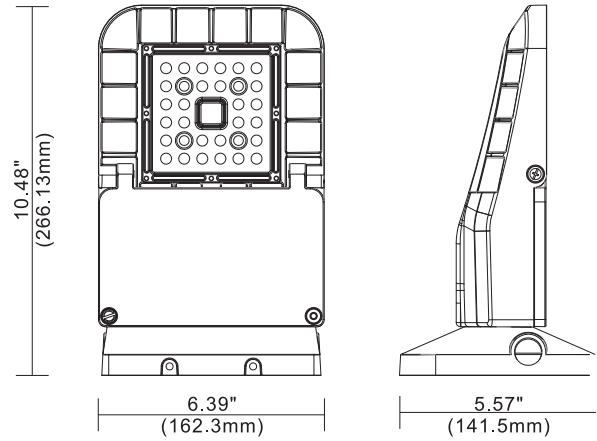
Integrated Heatsink

Integrated cooling fin provides excellent thermal dissipation. This design allows the fixture to have extremely long lifetime hours.



Proprietary Optical Control

Specifically designed lens Type III, IV, and V allow architects maximum freedom to design any layout without restraint. These optics are engineered for maximum light output.



Performance Data

Model No.	System Watts	Lumens	Lpw
ML-WM-4998-12W-5K-UV	12W	1513	126
ML-WM-4998-23W-5K-UV	23W	3266	137

* DISCLAIMER: This test report was produced in accordance with IES LM-79 photometric testing protocol for luminaires, using a single representative test fixture. Actual production units may vary from the values reported here by up to ±10%.