

LED Lighting Fixture

SAVE THESE INSTRUCTIONS



BEFORE YOU BEGIN

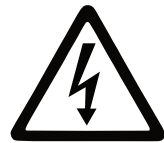
Read and follow all safety instructions



WARNING

RISK OF FIRE, EXPLOSION AND ELECTRIC SHOCK

- This product should be installed, inspected, and maintained by a qualified electrician only, in accordance with the NEC (National Electric Code) and all local codes.
- Turn off electrical power before inspection, installation or removal.
- Use only UL (or other NRTL) approved wire for input/output connections.
- Minimum size 18 AWG or 14 AWG for continuous runs.
- Make sure LEDs and drivers are cool to touch when performing maintenance.
- Make sure the supply voltage is the same as the rated voltage of the luminaire.
- Do not install in a hazardous atmosphere, except where the ambient temperature does not exceed the rated operating temperature of the fixture.
- Keep tightly closed when in operation



Prepare Electrical Wiring



Electrical Requirements

- The LED driver must be supplied with 120 or 277V, 50/60 Hz and connected to an individual, properly grounded branch circuit protected by a 20 ampere circuit breaker. Use min. 75°C supply.



Grounding Instructions

- The grounding and bonding of the overall system shall be done in accordance with NEC Article 600 and local codes

LED Post Top ML-PT-11783

Installation Guide

Tools Required:
M2.5 Allen Key
Wire Strippers
Wire Cutters

- Before starting ensure that the power is disconnected.
- Unpack fixture and ensure that there are no damaged parts.
- NOTE: This fixture is intended to be mounted on a heavy duty pipe or tenon. Max O.D. of 2 3/8" (60mm).
- Pass wires into post top tenon or pipe. Make wire connections as seen in Figure 2.
- Position fixture on post top tenon or pipe as seen in Figure 3 and tighten down all 8 Allen head set screws to 72in-lbs (6ft-lbs).
- Restore power at circuit break and switch on power.

Standard Wiring Diagram



Figure 2.

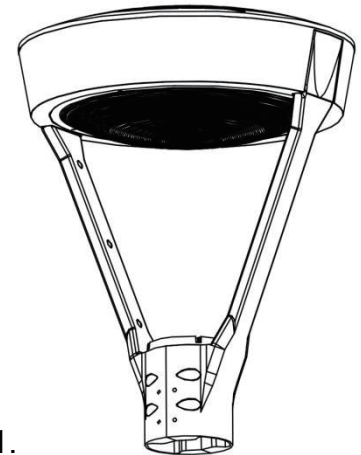


Figure 1.

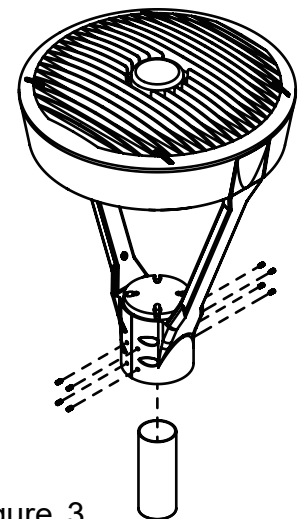


Figure 3.