

**ML-PT-11783**

**LED POST TOP LIGHT**



## DESCRIPTION

Energy efficient and aesthetically please LED Arealight has arrived. This beautifully crafted yet extremely powerful luminaire is a great arealight for any environment. Using next generation LEDs and precision molded optics and a long lasting driver, this LED Arealight delivers a stunning high lumens per watt efficacy while also providing uniform distributions with various optics available.

## Specification Features



### Construction

► Industrial grade die-cast aluminum alloy body is tough on the elements and allow the luminaire to withstand the harshest of conditions.

### Optical System

► Next generation LEDs combined with the best-in-class UV stablized commercial grade polycarbonate lens provide the most efficient lighting system. Optical system is engineered to provide professional grade light distribution and uniformity.

### Electrical

► Long lasting LED coupled with UL Listed Drivers provide an electrical system that will stand the test of time. Universal voltage allow the luminaire to be used in multi-faceted environments

### Finish

► Luminaire is electrostatically coated with UV stabilized powder coat providing years of worry-free service.

### Certification

► cUL and UL Listed. Listed for Wet Locations. DLC Premium certified.

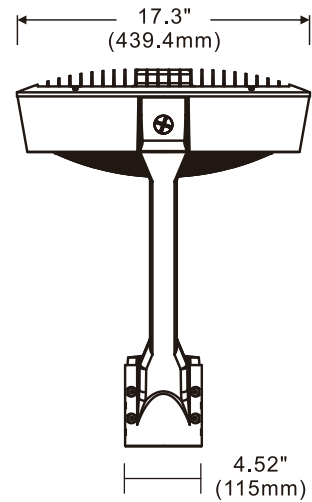
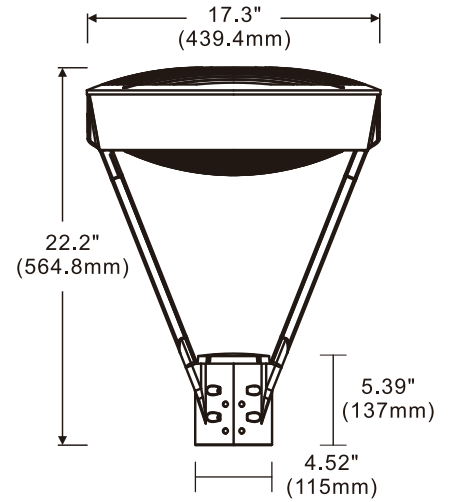
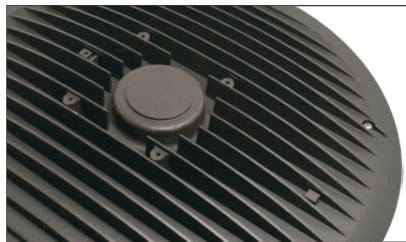
## Ordering information

Model No.	Nominal Watts**	Input Voltage	CRI	Color Temp	Distribution	Option	Finish	Starting Temp
ML-PT-11783-80WT-345K-UV	45/60/80W	120-277V	80+	5000K	Type VS	Occupancy Sensor	Bronze	-40°C
ML-PT-11783-150WT-345K-UV	100/125/150W			4000K 3000K		180° Shield	Black Silver White	

\* DISCLAIMER: This test report was produced in accordance with IES LM-79 photometric testing protocol for luminaires, using a single representative test fixture. Actual production units may vary from the values reported here by up to ±10%.

**Product Description**

**Product Dimensions**



**Optional Additional Lighting Management**

120-277 Photocontrol option available & 480V max Receptacle  
Call for details.

**Performance Data**

\* Lumen and Efficacy shows the highest wattage at 5000K

Model No.	Nominal Watts**	Lumens**	Efficacy**
ML-PT-11783-80WT-345K-UV	45/60/80W	10400 lm*	130 lm/w*
ML-PT-11783-150WT-345K-UV	100/125/150W	19800 lm*	132 lm/w*

\* DISCLAIMER: This test report was produced in accordance with IES LM-79 photometric testing protocol for luminaires, using a single representative test fixture. Actual production units may vary from the values reported here by up to ±10%.