

## ML-AL-7993

## LED AREA LIGHT

### DESCRIPTION

This slick and modern luminaire has been designed to handle any environment. With a beautiful slimline design along with one of the highest lumen performance on the market, this versatile fixture can be used as an area light. ML-AL-7998 is ready to conquer the lighting landscape with included mounting options, surge protection devices, IOT photoscell capability, and the most technologically advanced LED on the market.



### Specification Features



#### LISTING

UL and cUL listed for wet locations

#### LEDS

The most technologically advanced LED chips in the market

#### FINISH

UV stabilized powder coated finish

#### LENS

Optional Type III, Type IV, Type V optics

#### HOUSING

One piece die-cast aluminum body with die-cast hinge panel for easy installation access.

#### OPTIONS

Optional 347V or 480V with adder  
 Bi-Level Dimmable or Photocontrol optional available with adder  
 Finish - Bronze. Color option with adder  
 Optional House Side Shield

### Ordering information

Model No.	Nomina Watts**	Input Voltage	CRI	Color Temp	Distribution	Option		Finish	Starting Temp
						Accessories	Mounting		
ML-AL-7993-150WT-345K-UV	100/120/150W	120-277V 277-480V	70+	5000K 4000K 3000K	Type III Type IV Type V	Occupancy Sensor Photocontrol 3-pin Receptacle 5-pin Receptacle 7-pin Receptacle House Side Shield	Pole Mount Universal Mount (SF + PM) Trunnion	Bronze	-40 C

\* DISCLAIMER: This test report was produced in accordance with IES LM-79 photometric testing protocol for luminaires, using a single representative test fixture. Actual production units may vary from the values reported here by up to ±10%.

**Product Description**



**Available Options**



Trunnion



Universal Mount

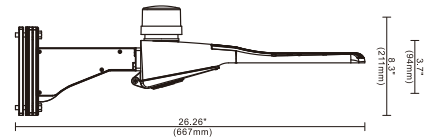
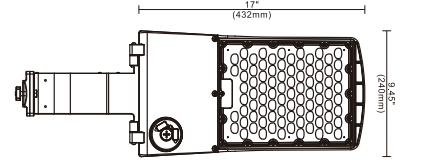
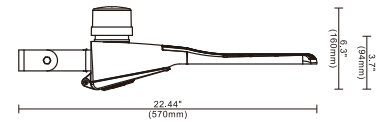
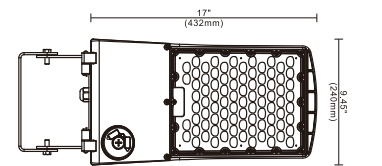
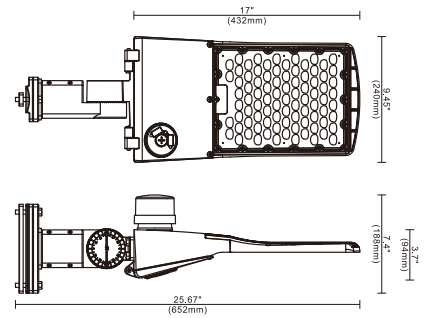


Pole Mount



House Side Shield

**Product Dimensions**



**Performance Data**

\* Lumen and Efficacy shows the highest wattage at 5000K

Model No.	Nominal Watts	Lumens*	Efficacy*
ML-AL-7993-150WT-345K-UV	100/120/150W	20745 lm*	138 lm/w*

\* DISCLAIMER: This test report was produced in accordance with IES LM-79 photometric testing protocol for luminaires, using a single representative test fixture. Actual production units may vary from the values reported here by up to ±10%.