

## LED Lighting Fixture

### SAVE THESE INSTRUCTIONS



#### BEFORE YOU BEGIN

Read and follow all safety instructions

### **WARNING**

#### **RISK OF FIRE, EXPLOSION AND ELECTRIC SHOCK**

- This product should be installed, inspected, and maintained by a qualified electrician only, in accordance with the NEC (National Electric Code) and all local codes.
- Turn off electrical power before inspection, installation or removal.
- Use only UL (or other NRTL) approved wire for input/output connections. Minimum size 18 AWG or 14 AWG for continuous runs.
- Make sure LEDs and drivers are cool to touch when performing maintenance. Make sure the supply voltage is the same as the rated voltage of the luminaire.
- Do not install in a hazardous atmosphere, except where the ambient temperature does not exceed the rated operating temperature of the fixture.
- Keep tightly closed when in operation



### Prepare Electrical Wiring



#### Electrical Requirements

- The LED driver must be supplied with the voltage specified on the product label and connected to an individual, properly grounded branch circuit protected by a 20 Ampere circuit breaker. Use min. 75°C supply.



#### Grounding Instructions

- The grounding and bonding of the overall system shall be done in accordance with NEC Article 600 and local codes

# LED Area Light

## Installation Guide

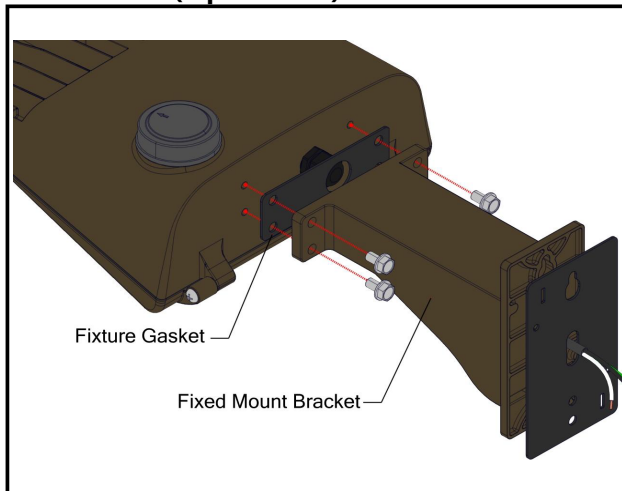
### Before starting:

- Ensure that the supply power is shut off.
- Unpack the fixture and ensure that there are no damaged or missing parts.

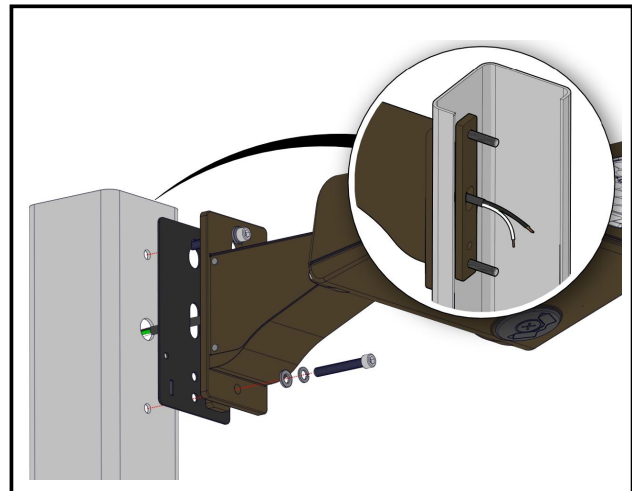
### Tools Required:

- Hex Key Set
- Wire Strippers
- Wire Cutters
- Drill with assorted bits

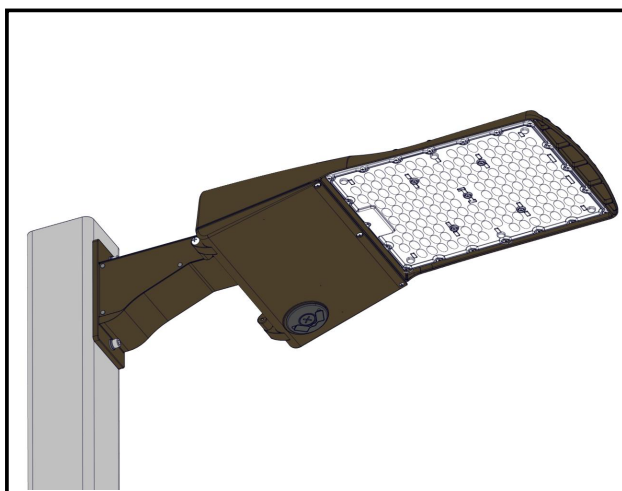
### Fixed Mount (Square Pole) Installation



**Step 1:** Feed the power cord through the fixed bracket and attach it to the fixture using the four included bolts.



**Step 2:** Mount the fixed arm to the pole using the included bolts. Install the top bolt and hang the the fixture on the bolt using the keyhole slot to keep the fixture in place while securing the second bolt.



**Step 3:** Make the wiring connections according to the wiring diagram on Page 7. Restore power and check that the fixture is working properly.

# LED Area Light

## Installation Guide

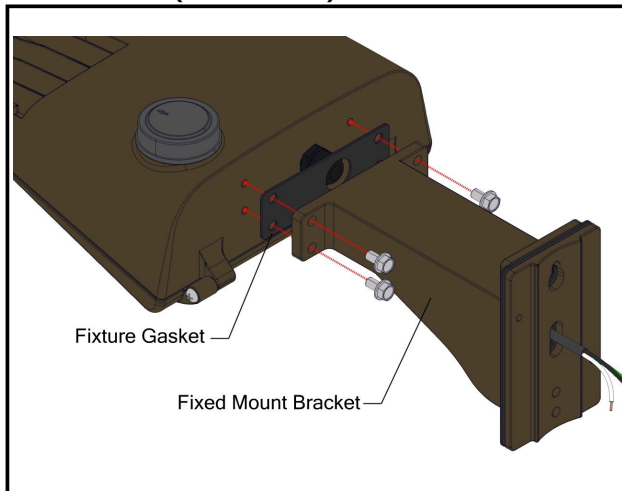
### Before starting:

- Ensure that the supply power is shut off.
- Unpack the fixture and ensure that there are no damaged or missing parts.

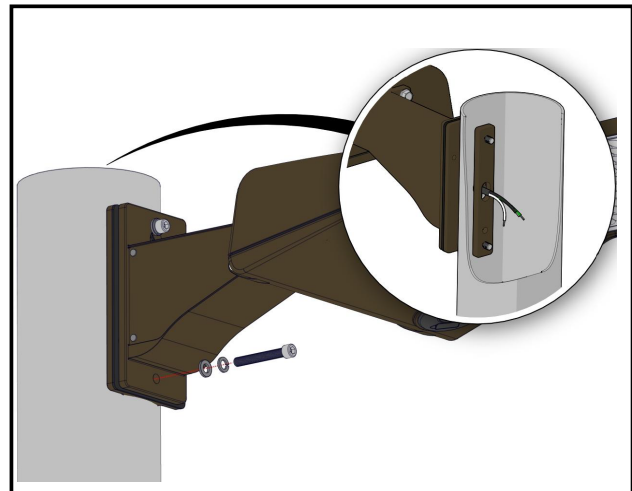
### Tools Required:

- Hex Key Set
- Wire Strippers
- Wire Cutters
- Drill with assorted bits

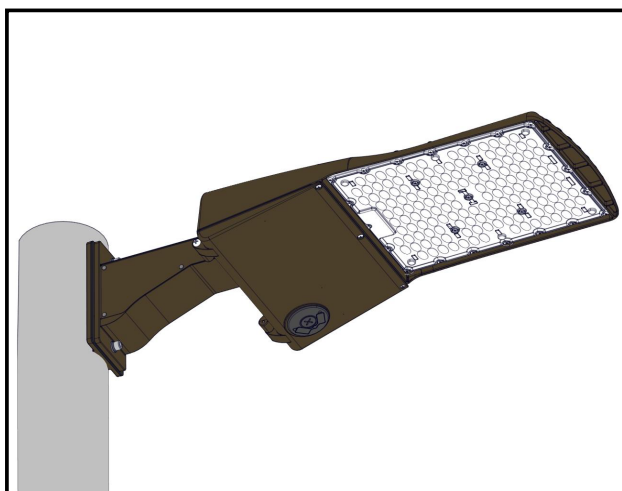
### Fixed Mount (Round Pole) Installation



**Step 1:** Feed the power cord through the fixed bracket and attach it to the fixture using the four included bolts.



**Step 2:** Mount the fixed arm to the pole using the included bolts. Install the top bolt and hang the the fixture on the bolt using the keyhole slot to keep the fixture in place while securing the second bolt.



**Step 3:** Make the wiring connections according to the wiring diagram on Page 7. Restore power and check that the fixture is working properly.

# LED Area Light

## Installation Guide

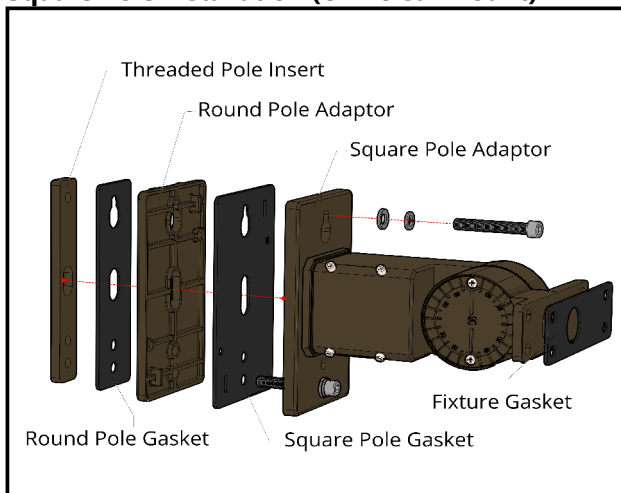
### Before starting:

- Ensure that the supply power is shut off.
- Unpack the fixture and ensure that there are no damaged or missing parts.

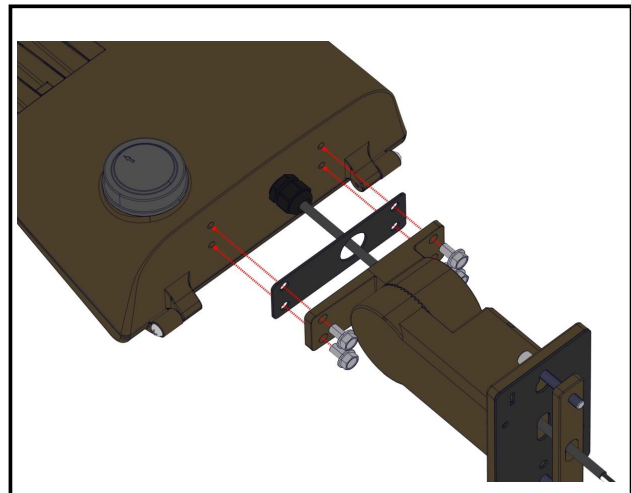
### Tools Required:

- Hex Key Set
- Wire Strippers
- Wire Cutters
- Drill with assorted bits

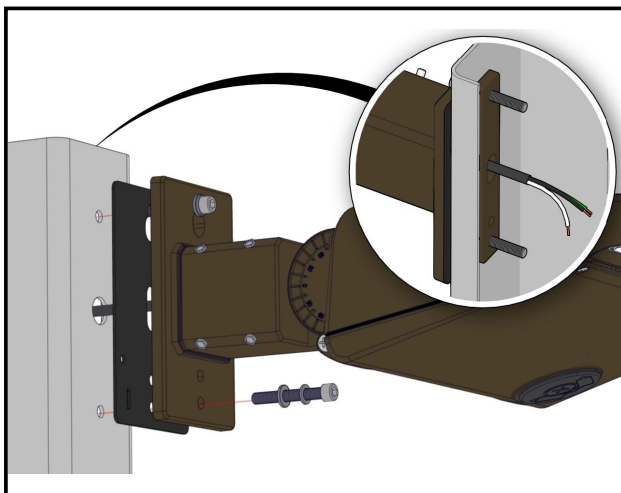
### Square Pole Installation (Universal Mount)



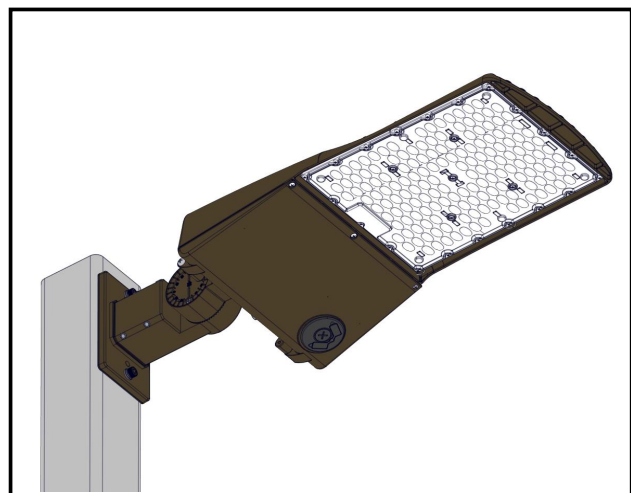
**Step 1:** Review the universal mount assembly shown and remove the Round Pole Adaptor and Round Pole Gasket from the assembly.



**Step 2:** Attach the mount to the fixture using the four included bolts. The Fixture Gasket should be placed in the correct orientation.



**Step 3:** Attach the fixture assembly to the pole using the Threaded Pole Insert and the two mounting bolts, disc washers, and spring washers provided. Run the power cord into the pole.



**Step 4:** Make the wiring connections according to the wiring diagram on Page 7. Restore power and check that the fixture is working properly.



# LED Area Light

## Installation Guide

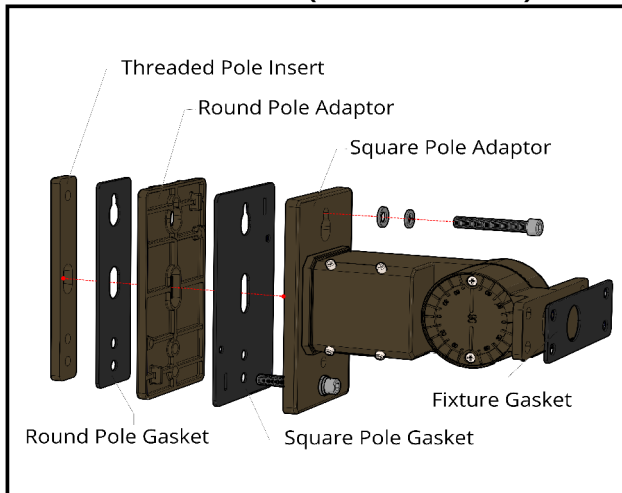
### Before starting:

- Ensure that the supply power is shut off.
- Unpack the fixture and ensure that there are no damaged or missing parts.

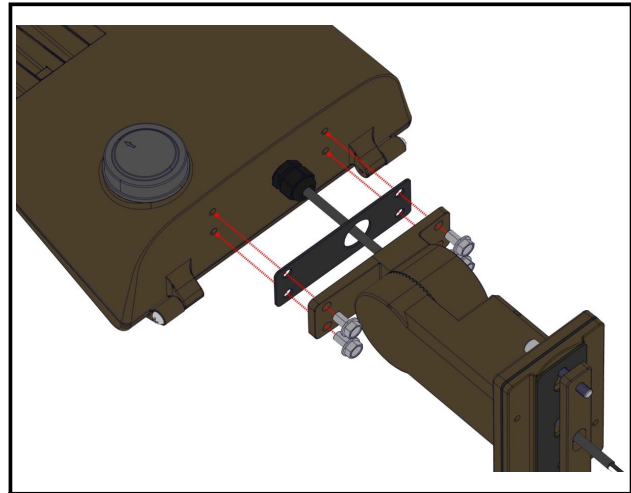
### Tools Required:

- Hex Key Set
- Wire Strippers
- Wire Cutters
- Drill with assorted bits

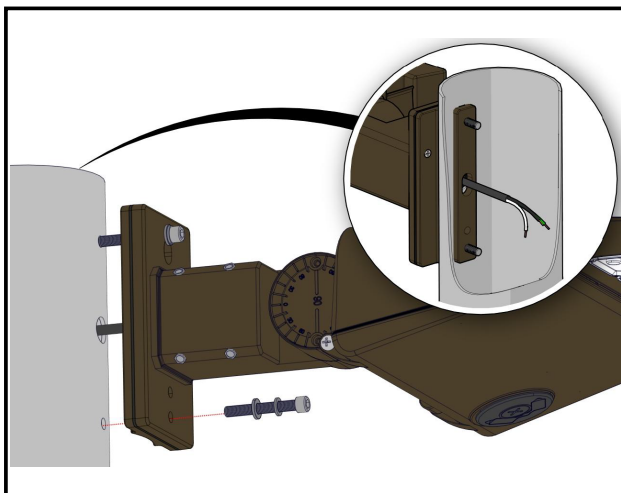
### Round Pole Installation (Universal Mount)



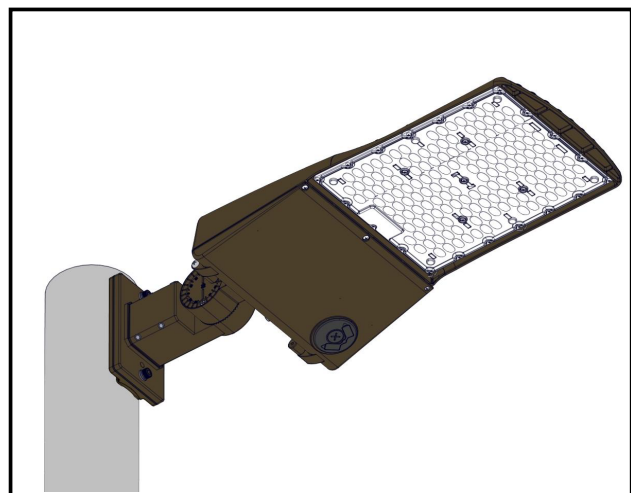
**Step 1:** Review the universal mount assembly shown.



**Step 2:** Attach the mount to the fixture using the four included bolts.



**Step 3:** Attach the fixture assembly to the pole using the Threaded Pole Insert and the two mounting bolts, disc washers, and spring washers provided. Run the power cord into the pole.



**Step 4:** Make the wiring connections according to the wiring diagram on Page 7. Restore power and check that the fixture is working properly.

# LED Area Light

## Installation Guide

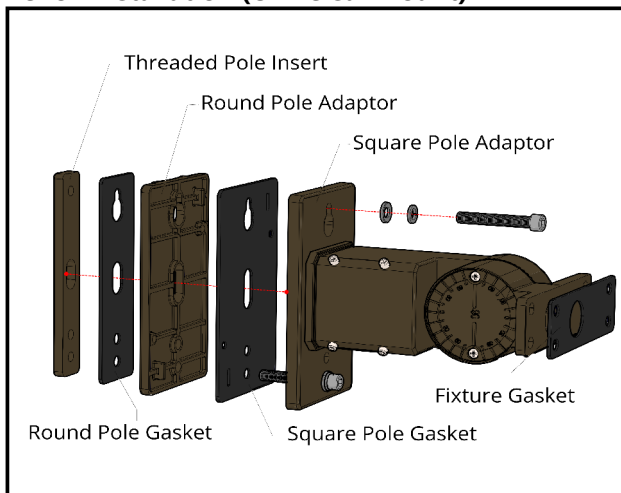
### Before starting:

- Ensure that the supply power is shut off.
- Unpack the fixture and ensure that there are no damaged or missing parts.

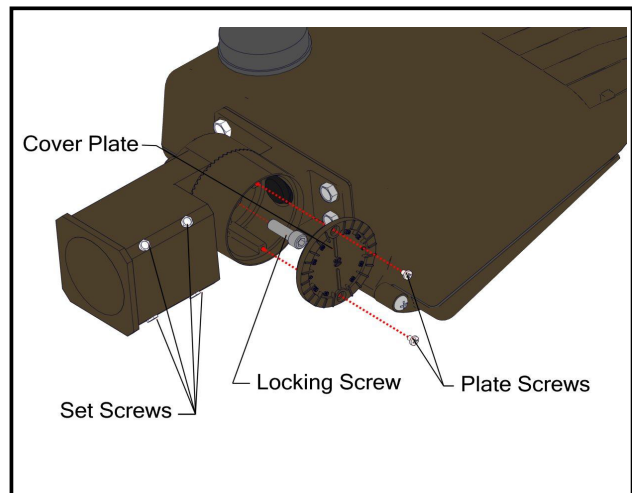
### Tools Required:

- Hex Key Set
- Wire Strippers
- Wire Cutters
- Drill with assorted bits

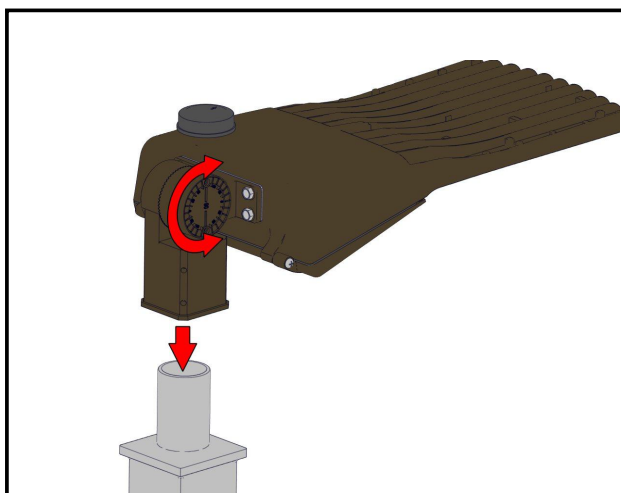
### Tenon Installation (Universal Mount)



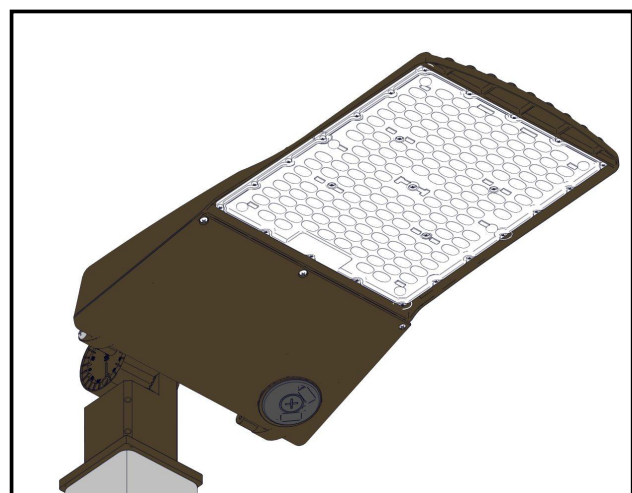
**Step 1:** Review the universal mount assembly shown. Remove the threaded pole insert, square and round pole adaptors, and the gaskets.



**Step 2:** Remove the slip fitter cover and loosen the revealed locking screw to adjust the angle of the slip fitter.



**Step 3:** Make the wiring connections according to the wiring diagram on Page 7. Seat the slipfitter on the tenon and secure with the four (4) set screws

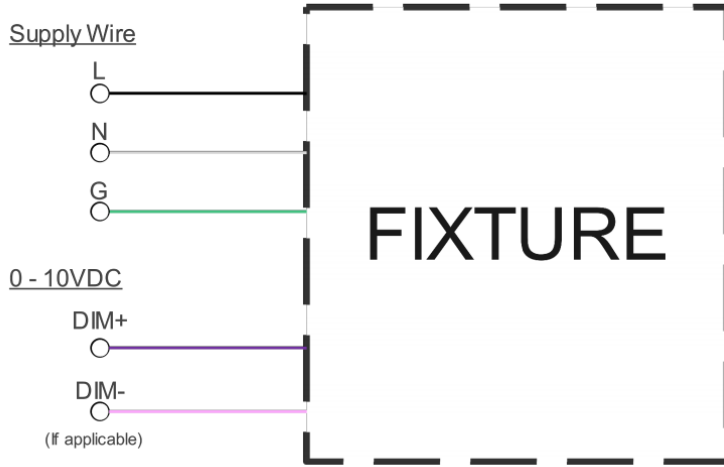


**Step 4:** Restore power and check that the fixture is working properly. Correct the angle of the fixture if needed by repeating Step 2 (turn off power before making adjustments).

# LED Area Light

## Installation Guide

### Electrical Wiring Diagram



### FAO/Sensor/Photocontrol

The CCT and Power adjustment switches are located on the receptacle. Remove the rubber cover on the sensor receptacle to access the FAO switches. Adjust to the desired settings and replace the rubber cover.

