

## ML-SL Series Linear Light

SAVE THESE INSTRUCTIONS



**BEFORE YOU BEGIN**  
Read and follow all safety instructions

### **WARNING**

RISK OF FIRE, EXPLOSION AND ELECTRIC SHOCK

- This product should be installed, inspected, and maintained by a qualified electrician only, in accordance with the NEC (National Electric Code) and all local codes.
- Turn off electrical power before inspection, installation or removal.
- Use only UL (or other NRTL) approved wire for input/output connections. Minimum size 18 AWG or 14 AWG for continuous runs.
- Make sure LEDs and drivers are cool to touch when performing maintenance. Make sure the supply voltage is the same as the rated voltage of the luminaire.
- Do not install in a hazardous atmosphere, except where the ambient temperature does not exceed the rated operating temperature of the fixture.
- Keep tightly closed when in operation



### Prepare Electrical Wiring



#### Electrical Requirements

- The LED driver must be supplied with 120 to 277V, 50/60 Hz and connected to an individual, properly grounded branch circuit protected by a 20 Ampere circuit breaker. Use min. 75°C supply.



#### Grounding Instructions

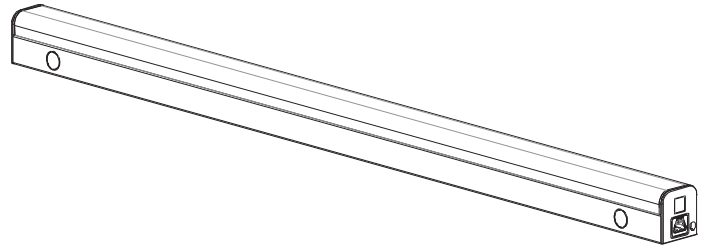
- The grounding and bonding of the overall system shall be done in accordance with NEC Article 600 and local codes

# LED Linear Light

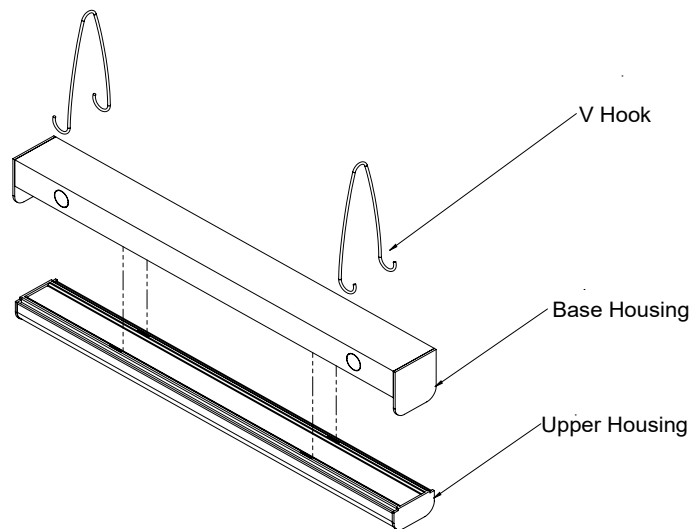
## ML-SL Series

# Installation Guide

Tools Required:  
Screwdriver  
Wire Strippers



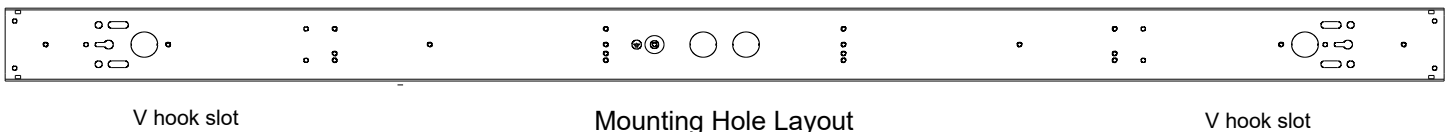
1. Remove optical assembly from back housing by grasping lens approximately 8" from one end of housing and pulling optical assembly away from housing.
2. Disconnect wiring quick-connects between optical assembly and housing.
3. Remove appropriate knockout(s) on fixture housing at desired location of incoming power entry.
4. If incoming power is entering fixture through conduit, attach conduit at knockout removed in Step 3.
5. Surface Mount: Attach housing to mounting surface at desired location using appropriate hardware (supplied by others) for the mounting surface. Multiple holes and keyhole slots are present in the back surface of the housing for mounting.



For Suspension Mount

**Suspension Mount:** Attach mounting cable/ chain (provided by others) to the V hooks. Attach V hooks to the base housing by securing the hooks into the correct slots.

7. Make wiring connections per the wiring diagram below using the included wire nuts.
8. Reconnect wiring quick connects that were disconnected in Step 2 above.
9. Replace optical assembly on housing by positioning assembly on housing and gently pushing optical assembly back into place. Make sure optical assembly is retained along its entire length.



### Standard Wiring Diagram

