

ML-VT Linear Vapor Tight

SAVE THESE INSTRUCTIONS



BEFORE YOU BEGIN

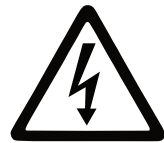
Read and follow all safety instructions



WARNING

RISK OF FIRE, EXPLOSION AND ELECTRIC SHOCK

- This product should be installed, inspected, and maintained by a qualified electrician only, in accordance with the NEC (National Electric Code) and all local codes.
- Turn off electrical power before inspection, installation or removal.
- Use only UL (or other NRTL) approved wire for input/output connections.
- Minimum size 18 AWG or 14 AWG for continuous runs.
- Make sure LEDs and drivers are cool to touch when performing maintenance.
- Make sure the supply voltage is the same as the rated voltage of the luminaire.
- Do not install in a hazardous atmosphere, except where the ambient temperature does not exceed the rated operating temperature of the fixture.
- Keep tightly closed when in operation



Prepare Electrical Wiring



Electrical Requirements

- The LED driver must be supplied with 120 or 277V, 50/60 Hz and connected to an individual, properly grounded branch circuit protected by a 20 ampere circuit breaker. Use min. 75°C supply.



Grounding Instructions

- The grounding and bonding of the overall system shall be done in accordance with NEC Article 600 and local codes

Linear Vapor Tight ML-VT

Installation Guide

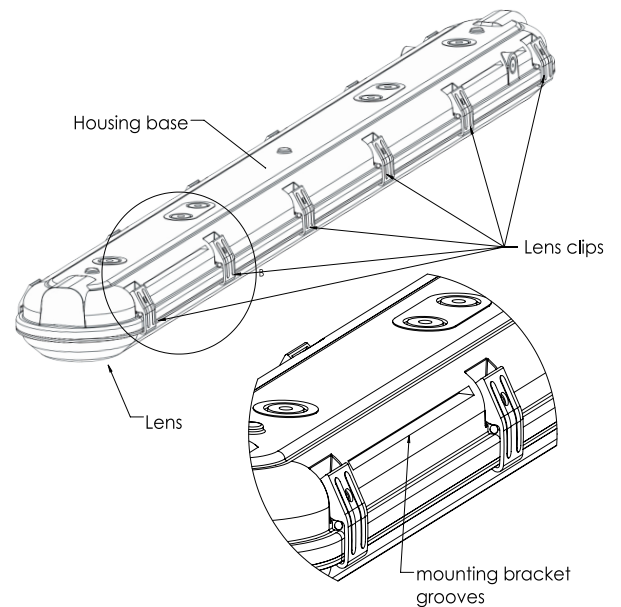
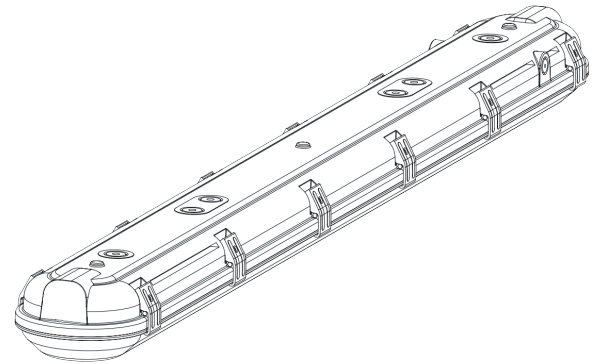
Tools Required:

#2 Phillips Screw Driver Wire Strippers
Adjustable Wrench Wire Cutters
Drill (with various bits and drivers)

Before starting:

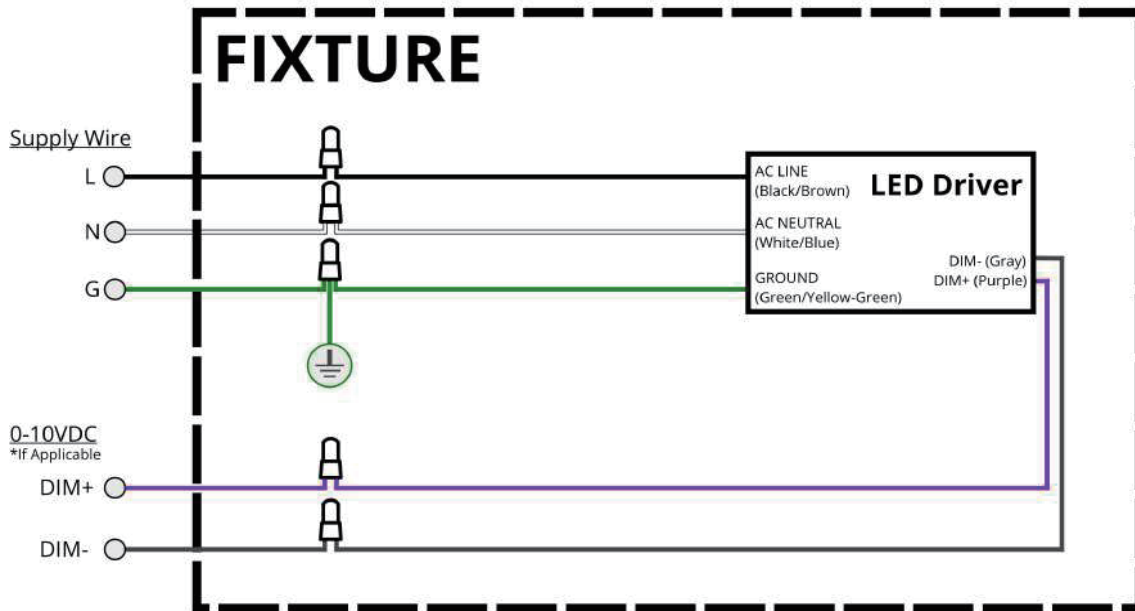
- Ensure that the supply power is shut off.
- Unpack the fixture and ensure that there are no damaged or missing parts.

Installation Steps:



Linear Vapor Tight ML-VT

Electrical Wiring Diagram - Figure 1



Electrical Wiring Diagram With EM Backup- Figure 2

