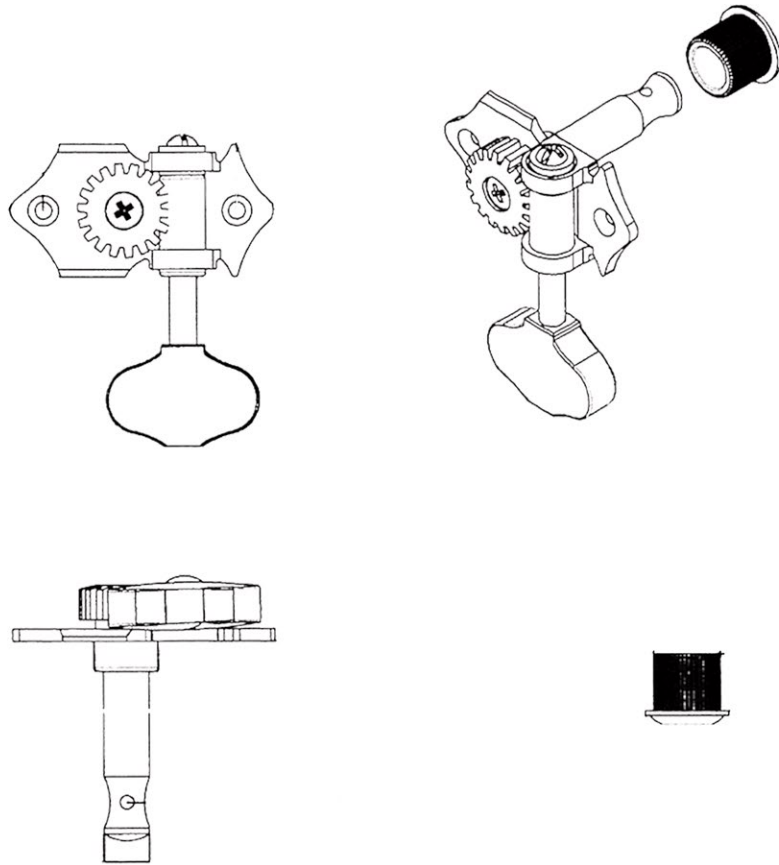
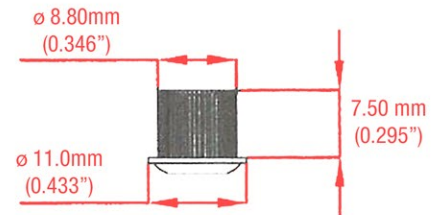
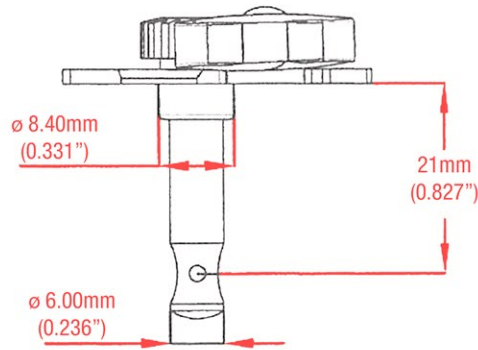
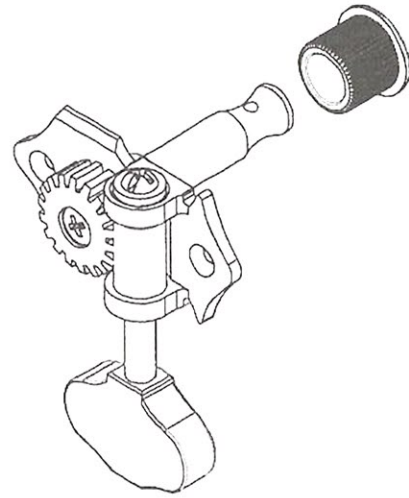
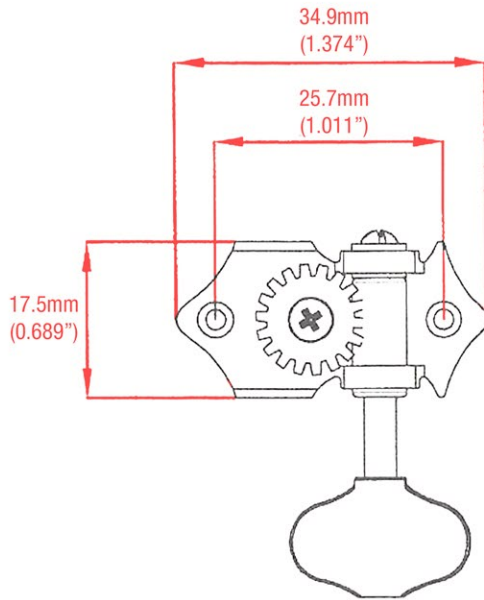


(Butterbean Head)



(Butterbean Head)



Approximate Weight (may vary slightly depending on button option)	
Individual Machine Head	Complete Set (6 Machine Heads)
.055lbs (25g)	.331lbs (150g)