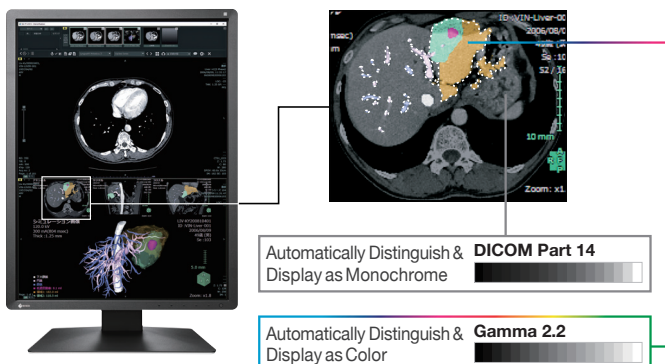


## 21.3-inch cost-performance medical monitor with DICOM Part 14 calibration for viewing medical images.

### Display Both Monochrome and Color

The MX216 is the first MX-Series monitor to include EIZO's Hybrid Gamma PXL function, which automatically distinguishes between monochrome and color images pixel by pixel, creating a hybrid display where each pixel has optimum grayscale. As a result, monochrome images are displayed in the ideal grayscale that corresponds to DICOM® Part 14, while color images are reproduced corresponding to Gamma 2.2, for improved efficiency when viewing color and monochrome images together.

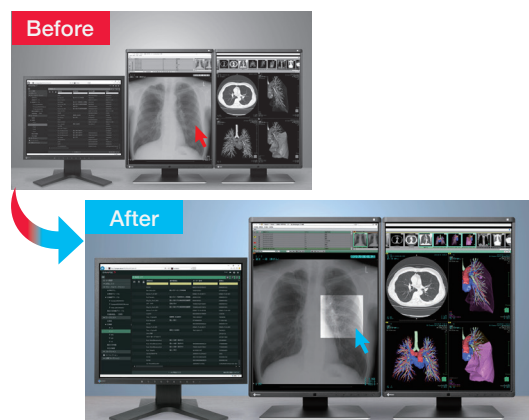


### Quick and Easy Focus

The MX216 is compatible with EIZO's Point-and-Focus function. With Point-and-Focus, you can quickly select and focus areas of your concern with just your mouse and keyboard. Change the brightness and grayscale tones of these areas to make viewing images easier. Users can take advantage of this feature with the monitor and bundled RadiCS LE software.



Point-and-Focus



# RadiForce® MX216

## Space-Saving Design for Clinical Environment

Compared to the previous MX215, the monitor's width, height, and depth are reduced by 3.4 mm, 22.7 mm, and 45.5 mm respectively – a total of 23% less space – saving more workspace for other tasks in clinics and other facilities.

## Achieve Clarity True to the Source Data

When the pixel aperture ratio is increased to meet long-term brightness stability, a typically unavoidable decline in sharpness occurs. With EIZO's unique Sharpness Recovery technology, the decrease in sharpness (MTF) is restored. This allows you to display an image safely on the monitor that is true to the original source data, even at high brightness levels.

## Rotate the Monitor According to the Image

After installing the included RadiCS LE quality control software, you can link the Image Rotation Plus function with the monitor's built-in gravity sensor. This enables the screen to automatically switch to either portrait or landscape mode, based on the orientation of the monitor.

*A graphics board that supports the Image Rotation Plus function is required.*

## Hassle-Free Multi-Monitor Configuration

Using the DisplayPort connection, you can drive several monitors in a daisy chain sequence. This allows you to configure a multi-monitor setup without the complicated hassle of excessive cabling.

## Make the Precise Diagnosis

EIZO carefully measures and sets each grayscale tone to create a monitor compliant with DICOM Part 14. Furthermore, at startup or upon wakeup, the EIZO patented drift correction function quickly stabilizes the brightness level and compensates the brightness fluctuations caused by the ambient temperature and the passage of time, allowing medical images to be faithfully reproduced with stable brightness and grayscale.

## Manage Effortless Calibration

With the RadiCS LE software (included) and Integrated Front Sensor (IFS) built into the front bezel, you can easily calibrate to DICOM Part 14 without having to mount, run, and remove an external sensor.

*Simple calibration using the monitor backlight sensor is also supported.*

## Versatile Positioning for Improved Operability

EIZO's highly versatile stand offers tilt, swivel and a wide height adjustment range for greater comfort.

## Warranty with Safety and Trust

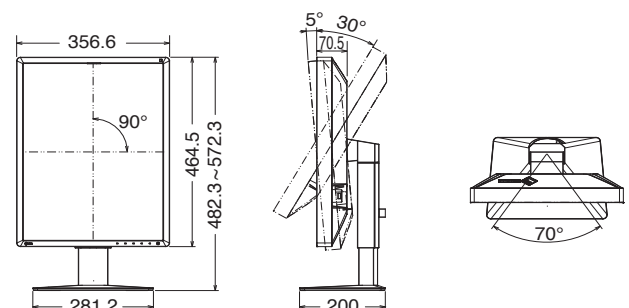
EIZO and its authorized distributors offer a five-year limited warranty.

## Specifications

|   |  |  |
|---|--|--|
| <b>Model Variations</b>   |  | MX216-BK: with stand, black  |
| <b>Panel</b>  | <b>Type</b>                                    | Color (IPS)  |
|   | <b>Backlight</b>                               | LED  |
|   | <b>Size</b>                                    | 54 cm / 21.3"  |
|   | <b>Native Resolution</b>                       | 1200 x 1600 (3:4 aspect ratio)   |
|   | <b>Viewable Image Size (H x V)</b>             | 324.0 x 432.0 mm   |
|   | <b>Pixel Pitch</b>                             | 0.270 x 0.270 mm   |
|   | <b>Display Colors</b>                          | 10-bit colors (DisplayPort): 1.07 billion (maximum) colors<br>8-bit colors: 16.77 million from a palette of 543 billion colors                                       |
|   | <b>Viewing Angles (H / V, typical)</b>         | 178° / 178°  |
|   | <b>Brightness (typical)</b>                    | 500 cd/m <sup>2</sup>  |
|   | <b>Contrast Ratio (typical)</b>                | 1500:1   |
| <b>Response Time (typical)</b>  | 20 ms (on / off)                               |  |
| <b>Video Signals</b>  | <b>Input Terminals</b>                         | DisplayPort, DVI-D   |
|   | <b>Output Terminals</b>                        | DisplayPort (daisy chain)  |
|   | <b>Digital Scanning Frequency (H / V)</b>      | 31 - 100 kHz / 59 - 61 Hz  |
| <b>USB</b>  | <b>Upstream</b>                                | USB 2.0: Type-B  |
|   | <b>Downstream</b>                              | USB 2.0: Type-A x 2  |
| <b>Power</b>  | <b>Power Requirements</b>                      | AC 100 - 240 V: 50 / 60 Hz   |
|   | <b>Typical Power Consumption</b>               | 26 W   |
|   | <b>Maximum Power Consumption</b>               | 55 W   |
|   | <b>Power Save Mode</b>                         | 0.6 W or less  |
| <b>Sensor</b>   |  | Backlight Sensor, Integrated Front Sensor, Ambient Light Sensor  |
| <b>Features &amp; Functions</b>   | <b>Brightness Stabilization</b>                | Yes  |
|   | <b>Digital Uniformity Equalizer</b>            | Yes  |
|   | <b>Hybrid Gamma PXL</b>                        | Yes  |
|   | <b>Preset Modes</b>                            | CAL Switch   |
|   | <b>OSD Languages</b>                           | English, German, French, Italian, Japanese, Simplified Chinese, Spanish, Swedish, Traditional Chinese  |
| <b>Physical Specifications</b>  | <b>Net Weight</b>                              | 7.6 kg   |
|   | <b>Net Weight (Without Stand)</b>              | 4.7 kg   |
|   | <b>Hole Spacing (VESA Standard)</b>            | 100 x 100 mm   |
| <b>Certifications &amp; Standards (Please contact EIZO for the latest information.)</b> |  | CE (Medical Device Directive), EN60601-1, ANSI/AAMI ES60601-1, CSA C22.2 No. 601-1, IEC60601-1, VCCI-B, FCC-B, CAN ICES-3 (B), RCM, RoHS, China RoHS, WEEE, CCC, EAC |
| <b>FDA</b>  |  | 510(k) Clearance for General Radiography *   |
| <b>Dedicated Software</b>   | <b>Monitor Quality Control Software RadiCS</b> | Supported  |
| <b>Supplied Accessories (May vary by country. Please contact EIZO for details.)</b>     | <b>Signal Cables</b>                           | DisplayPort (3 m)  |
|   | <b>Others</b>                                  | AC power cord (3 m), USB cable (3 m), Utility Disk (RadiCS LE, PDF instructions for use, PDF installation manual), instructions for use                              |
| <b>Warranty</b>   |  | Five Years   |

\*Display of mammography images for diagnosis is not supported.

## Dimensions (Unit: mm)



## EIZO Corporation

153 Shimokashiwano, Hakusan, Ishikawa 924-8566 Japan

Phone: +81-76-277-6794 Fax: +81-76-277-6793

www.eizoglobal.com

EIZO, the EIZO Logo, RadiForce and RadiCS are registered trademarks of EIZO Corporation in Japan and other countries. DICOM is the registered trademark of the National Electrical Manufacturers Association for its standards publications relating to digital communications of medical information. All other company names, product names, and logos are trademarks or registered trademarks of their respective companies. Specifications are subject to change without notice.