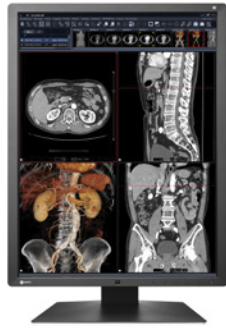


A 2 megapixel high-brightness color monitor ideal for the accurate display of CT, MRI, and CR grayscale images and color images such as 3D color rendering and nuclear medicine scans. Featuring a new design and unique EIZO technology, this monitor provides both comfort and image precision to medical professionals.

- Clearly defined images using EIZO's Sharpness Recovery technology
- New user-friendly design with fresh, clean aesthetic
- Reduced size and thin bezels that save workspace
- Reduced power consumption with energy-efficient LED backlight
- Reduced reflections for image clarity in environments with bright ambient lighting
- Hassle-free multi-monitor configuration using a daisy chain
- Effortless quality control with built-in calibration sensor
- Stable images across the screen with brightness uniformity
- Power conservation with integrated presence sensor



RadiForce® RX250

Sharpness Recovery

All high-brightness LCD panels exhibit a decrease in sharpness of the original image due to aperture ratio of the pixels becoming larger. EIZO's unique technology called Sharpness Recovery restores lost information in contours, resulting in an image shown with maximum clarity.

Create the Ideal Environment

The black front bezels are ideal for viewing the screen in dark reading rooms, making it easier to focus on images, while the original white stripe around the sides of the monitor presents a fresh, clean aesthetic.

Save Work Space with Sleek Cabinet Design

The monitor's width, height, and depth were reduce by 15 mm, 37.5 mm, and 45.5 mm respectively – 27% less space than its predecessor, saving more workspace for other tasks. Reducing the width of the monitor's frame reduces eye movement when comparing side-by-side images in a dual monitor configuration.

Save on Power Consumption

The monitor uses a new panel equipped with an energy-efficient LED backlight which reduces power consumption by 27% compared to its predecessor. EIZO's internal measurement under the recommended brightness of 400 cd/m².

Reduce Reflections for Image Clarity

Anti-reflection (AR) coating greatly reduces reflections caused by outside light without affecting the light emitting from the monitor. It also minimizes the loss of contrast that causes blacks to appear washed out with an anti-glare (AG) coating. This makes AR coating ideal for environments with bright ambient lighting.

Hassle-Free Multi-Monitor Configuration

Using the DisplayPort connection, you can drive several monitors in a daisy chain sequence. This allows you to configure a multi-monitor setup without the complicated hassle of excessive cabling.

Manage Effortless Quality Control

An Integrated Front Sensor (IFS) housed within the front bezel measures brightness and grayscale tones and calibrates to the DICOM Part 14 standard. The hands-free IFS performs quality control tasks and does not interfere with the viewing area while in use. This dramatically cuts the workload and maintenance costs needed for maintaining monitor quality control.

Attain Steady Images Across the Screen

The Digital Uniformity Equalizer (DUE) function helps to even out fluctuations in brightness and chroma on different parts of the screen to provide smoother images, a quality typically difficult to attain due to the characteristics of LCD monitors.

Conserve Energy While Away

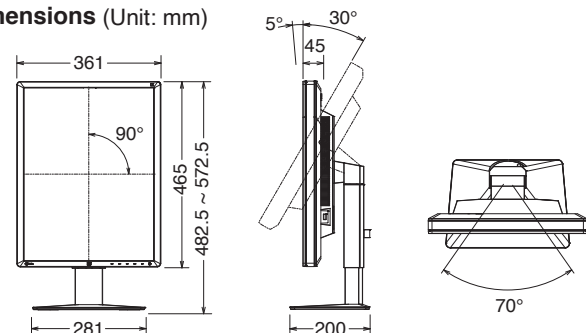
A presence sensor prompts the monitor to switch to power save mode when the user is away and resumes operation upon their return to conserve power when not in use. In the latest RadiForce models, the sensor detects the user's presence using a heat sensing method. This increases the range and angle of detection compared to conventional detection methods, making it effective when using multiple monitors.

Specifications

Model Variations	RX250: Anti-Glare coating RX250-AR: Anti-Reflection coating	
Cabinet Color	Black	
Panel	Type	Color (IPS)
	Backlight	LED
	Size	54 cm / 21.3"
	Native Resolution	1200 x 1600 (3:4 aspect ratio)
	Viewable Image Size (H x V)	324.0 x 432.0 mm
	Pixel Pitch	0.270 x 0.270 mm
	Display Colors	10-bit colors (DisplayPort): 1.07 billion (maximum) colors 8-bit colors: 16.77 million from a palette of 68 billion colors
	Viewing Angles (H / V, typical)	178° / 178°
	Brightness (typical)	800 cd/m ²
	Recommended Brightness for Calibration	400 cd/m ²
Contrast Ratio (typical)	1400:1	
Response Time (typical)	20 ms (on / off)	
Video	Input Terminals	DVI-D x 1, DisplayPort x 1
	Output Terminals	DisplayPort x 1 (daisy chain)
Signals	Output Terminals	DisplayPort x 1 (daisy chain)
	Digital Scanning Frequency (H / V)	31 - 100 kHz / 59 - 61 Hz Frame synchronous mode: 59 - 61 Hz
USB	Function	1 upstream, 2 downstream
	Standard	USB 2.0
Power	Power Requirements	AC 100 - 240 V: 50 / 60 Hz
	Maximum Power Consumption	79 W
	Typical Power Consumption	38 W
	Power Save Mode	Less than 1 W
Power Management	DVI DPM, DisplayPort 1.2a	
Sensor	Backlight Sensor, Integrated Front Sensor, Presence Sensor, Ambient Light Sensor	
Features	Brightness Stabilization	Yes
	Digital Uniformity Equalizer	Yes
Functions	Preset Modes	CAL Switch
	OSD Languages	English, German, French, Italian, Japanese, Simplified Chinese, Spanish, Swedish, Traditional Chinese
Physical	Net Weight	8.2 kg
	Specific- Net Weight (Without Stand)	5.4 kg
	Hole Spacing (VESA Standard)	100 x 100 mm
Certifications & Standards	CE (Medical Device Directive), EN60601-1, ANSI/AAMI ES60601-1, CSA C22.2 No. 601-1, IEC60601-1, VCCI-B, FCC-B, CAN ICES-3(B), RCM, RoHS, China RoHS, WEEE, CCC, EAC	
FDA 510(k) Clearance	Yes (for General Radiography*)	
Supplied Accessories	AC power cord, signal cables (DVI-D - DVI-D, DisplayPort - DisplayPort), USB cable, Utility Disk (RadiCS LE, PDF instructions for use, PDF installation manual), instructions for use	
Warranty	Five Years	

*Display of mammography images for diagnosis is not supported.

Dimensions (Unit: mm)



EIZO Corporation

153 Shimokashiwano, Hakusan, Ishikawa 924-8566 Japan
Phone +81-76-277-6792 Fax +81-76-277-6793

www.eizo.com

All product names are trademarks or registered trademarks of their respective companies.
EIZO, RadiForce, RadiCS, and RadiNET are registered trademarks of EIZO Corporation.
Specifications are subject to change without notice.
Copyright © 2016 EIZO Corporation. All rights reserved. (160202C)



1 (800) 801-8432
www.monitors.com

4500 W 34th St, Ste. K
Houston, TX 77092