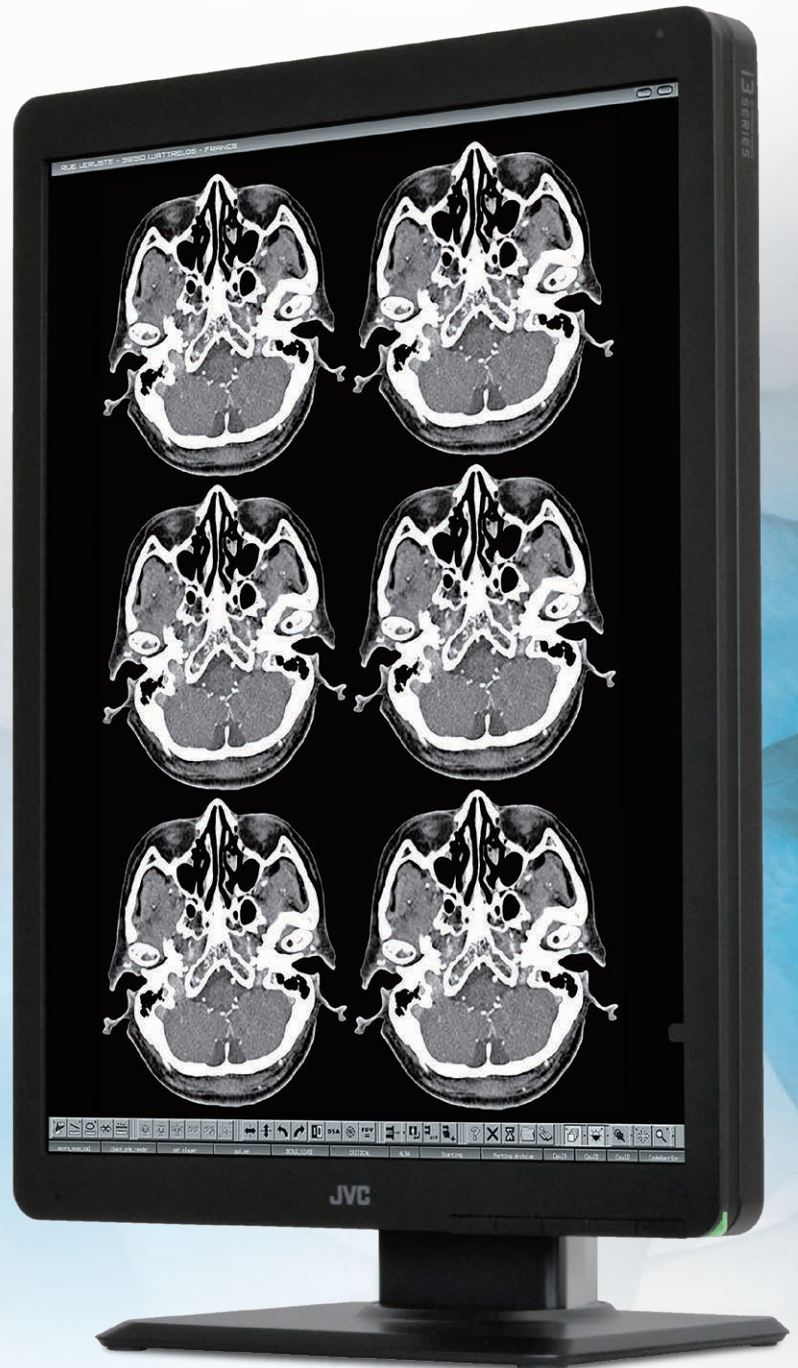


JVC

2 Megapixel 21.3" Monochrome Monitor

MS-S200

The gold standard in medical imaging



i3 for Medical Imaging
SERIES

2MP

21.3"

1900
cd/m²

1800:1

DisplayPort
&
DVI-D

Front
Sensor

6MsP
Drive

Uniformity
Equalizer

DisplayPort
Daisy
Chains

Human
Presence
Sensor

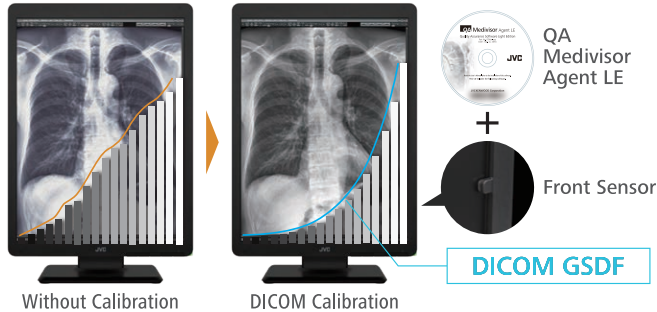
LED
Backlight

Protective
Filter

MS-S200

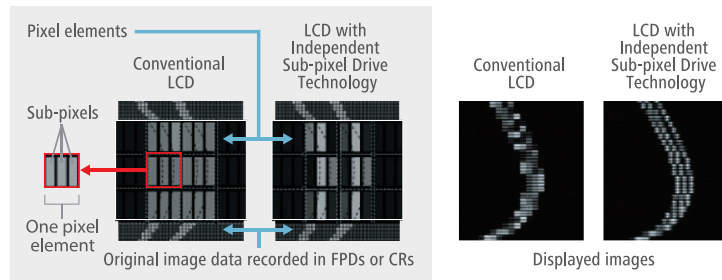
Excellent Diagnostic Visibility

MS-S200 comes with 1800:1 contrast ratio to make it the best solution for diagnostic imaging of DR, CT and MRI etc. The brighter screen dramatically increases the number of perceptual grayscale steps to improve visibility of structures. Diagnostic reading will be much more efficient. One of its unique technologies the built-in sensor ensures that the monitor constantly performs at its best.



Independent Sub-pixel Drive Technology

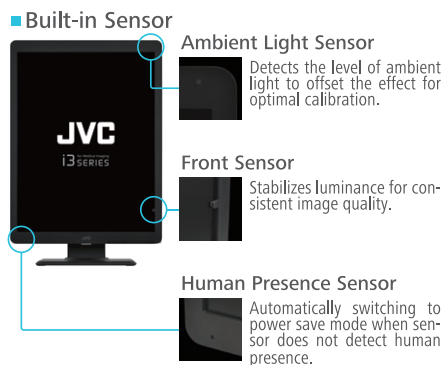
This unique technology enables MS-S200 to render 6 mega sub-pixel images, exceeding the current standards for primary diagnosis. This will be a cost-effective way of enhancing the ability of 2MP display. (Patent No.8, 259, 034B2)



*Customized viewer is required
*Independent Sub-pixel Drive technology is built in MS series only

Advanced Features

- Protective Filter
- LED Indicator / Front Buttons
- Built-in Sensor
- Space Saving
- Wire Management / DisplayPort Daisy Chains
- DICOM Conformance Check

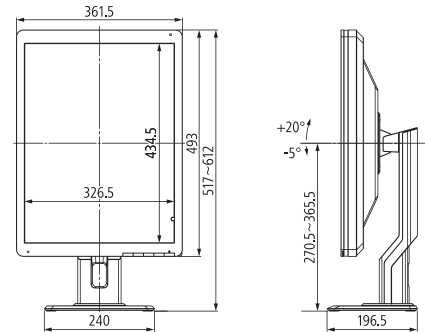


• "JVC" is a brand of medical and industrial monitors manufactured and sold by JVCKENWOOD Corporation. • Company names and product names are the registered trademarks of the respective companies. • Product specifications and appearance are subject to change without notice. • Colors in photographs may differ from actual colors due to the printing process. • Images on screens are simulated.

Specifications

Model Name	MS-S200BF : Protective Filter MS-S200BN : No Protective Filter
LCD Panel	Technology 21.3" monochrome TFT IPS technology
	Display Area 324mm × 432mm
	Pixel Pitch 0.270m × 0.270mm
	Maximum Luminance 1900cd/m ² (typ.) 500cd/m ² (calibrated)
	Contrast Ratio 1800 : 1 (typ.)
Visual Performance	Viewing Angle 178° vertical and horizontal
	Native Resolution 1200 × 1600 (Independent Sub-pixel Drive technology ON : 1200 × 4800)
Interface	Display Colors 256 shades of grayscale are simultaneously displayed from a palette of 16,369 grayscale steps *1024 or 10-bit shades of grayscale with DisplayPort and 10-bit viewer *1276 shades of grayscale by using Independent Sub-pixel Drive technology
	Input Signal DVI-D (DVI 1.0 compliant) DisplayPort (DisplayPort 1.2a compliant)
	Output Signal DisplayPort (DisplayPort 1.2a compliant) Plug and Play DDC2B compliant
Input Power Supply	Input Power Supply 100V-240V / 50-60Hz
	Power Consumption 35W (typ.)
Features	Calibration Control Luminance, Gamma Capable of storing 3 sets of LUT (Optional Calibration Kit is required)
	OSD Information Display Model name, Serial No., Total operating time, Calibration settings (Operating time since last calibration, Luminance, Gamma), Current luminance, Ambient light, DICOM conformance
	USB Hub USB Rev.2 compliant, Self-powered USB upstream connector (×1), USB downstream connector (×2)
	Other Features Uniformity Equalizer, Hardware pivot, LED indicator, Advanced power management, Human Presence Sensor, Independent Sub-pixel Drive technology, Auto Text Mode, Luminance stabilization, Multiple LUT, Self DICOM check, Self-calibration
Approvals	ANSI/AAMI ES60601-1 (2005) + A1 (2012), CAN/CSA-C22.2 No. 60601-1 (2014), CE (EN60601-1, EN60601-1-2), RCM, FCC Part15 subpart B Class B, ICES-003-B, VCCI-B, FDA510(k), J-Moss, RoHS, EAC
Physical Characteristics	Dimensions (W×H×D) Landscape : 493.0mm × 451.3 / 546.3mm × 196.5mm Portrait : 361.5mm × 517.0 / 612.0mm × 196.5mm
	Weight approx. 9kg
	Tilt Stand Tilt, Swivel, Portrait / Landscape
	Mount VESA standard (100mm × 100mm)
Accessories	Power cord, DisplayPort cable, DVI cable, Operation manual, USB cable, Installation manual, Software (QA Medivisor Agent LE)

Dimensions (mm)



Options

Calibration Kit CAL-016

- QA and calibration software [QA Medivisor Agent]
- Calibration sensor



Safety Precautions

- Please read the user's manual for safe and proper use.
- Do not expose the product to dust, moisture, steam, or oily smoke. It could cause fire, electric shock, or a failure.

Healthcare Business Division
JVCKENWOOD Corporation
3-12, Moriya-cho, Kanagawa-ku, Yokohama-shi, Kanagawa, 221-0022, JAPAN
TEL: +81-45-450-1908 FAX: +81-45-450-1926
Email: medical-display.j@jvckenwood.com
JVC Healthcare Website: <http://healthcare.jvc.com/>



Please contact our distributor below with inquiries and orders.

monitors.com

1 (800) 801-8432
www.monitors.com

4500 W 34th St, Ste. K
Houston, TX 77092