

⚠ Be sure to carry out the following before starting work




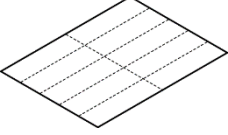

If an older version of the CMU software is being used, the CarPlay/Android Auto-compatible USB hub may not be recognized.

If the software version is not v70.00.21 or later, be sure to update the software.

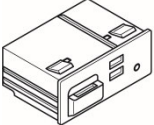
Once the CMU has been attached to the CarPlay/Android Auto-compatible USB hub, the software cannot be updated.

1. PARTS

- Verify that the kit includes all the following parts and that the parts are not dirty, scratched, or damaged.

Part	Part name	Qty	Part	Part name	Qty
	USB cable (Gray/Blue-Brown)	1		USB cable (Gray/Green-Black)	1
	Tie wrap (L=200mm)	9		Sponge tape (100×30mm 10 sheets)	3
	Owner's manual Parts list	Each 1			

【Sold separately】 The following part is also necessary for installation.
HUB unit (Part No. TK78 66 9U0**)

Part	Part name	Qty
	HUB unit	1

2. BEFORE INSTALLATION

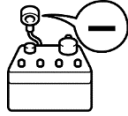
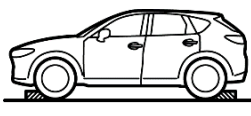




REQUIRED TOOLS

- ☆Phillips screwdriver
- ☆Torque wrench
- ☆Socket wrench
- ☆Ratchet
- ☆Wrench or Glasses wrench
- ☆Fastener remover
- ☆Tape-wrapped flathead screwdriver
- ☆Nipper
- ☆Scissors
- ☆Scale


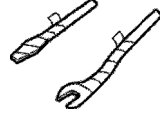
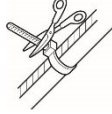


OTHER PREPARATIONS

- ☆Soft clean cloth
- ☆Mat
- ☆Protective tape
- ☆Protective gloves
- ☆IPA (Isopropyl alcohol)

⚠ WARNING

<p>When the negative battery is connected during operation, may cause electric shock or other personal injuries. Disconnect the negative cable before /installation.</p>	<p>Before performing any work, park the vehicle on level ground, apply the parking brake securely, and then block the wheels.</p>	<p>When connecting/dis- connecting connectors, grasp the connectors, not the wires. Otherwise a short, and an accident from poor contact or fire may occur.</p>	<p>Make sure the connector is securely pressed in until a click sound is heard. Otherwise, a fire or other accident may occur due to an open circuit or poor contact.</p>
			
<p>Secure the harness with the band (part included) so it doesn't dangle. If not, it may cause a short, accident, or fire.</p>	<p>Do not pull the harness with excessive force. Doing so can cause a breakage or a short-related accident, as well as an electrical short or fire.</p>		
			

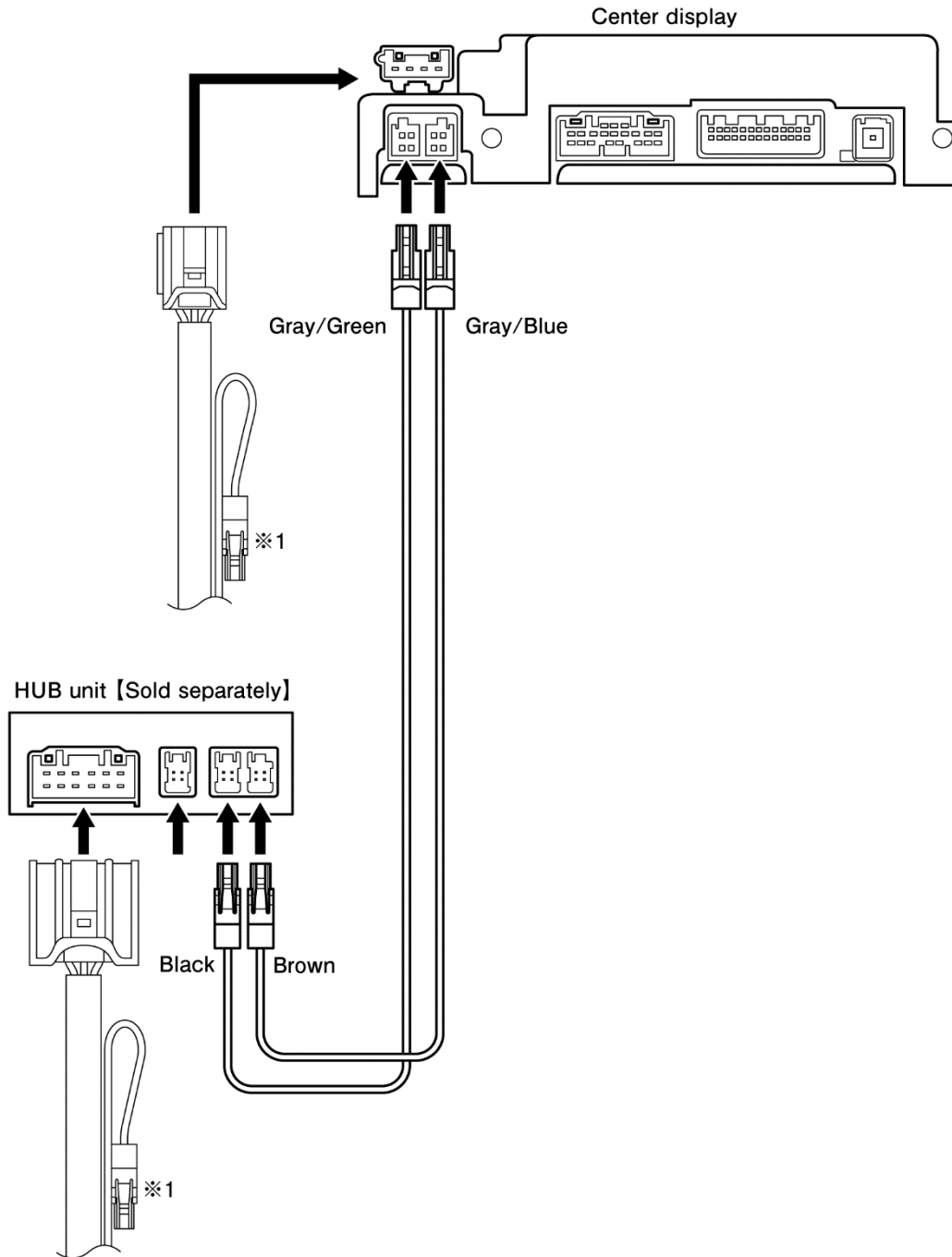
⚠ CAUTION

<p>Using improper tools may cause damage and/or broken parts. Use the correct tool for the job.</p>	<p>Wrap protective tape around screwdrivers and fastener remover tools to prevent scratching the vehicle.</p>	<p>Excessive length of tie wrap may interfere with other parts and cause damage.</p>	<p>Put the removed parts and the parts in the kit on the protective sheet to prevent scratches.</p>
			
<p>If there is dust, dirt or grease on the adhesion surface, the adhesive strength of the double-sided adhesive tape will splotch and adhesive power of the tape will be reduced. Wash and degrease the surface of the adhesion area before applying the double-sided adhesive tape. Be sure to wash interior and exterior parts using IPA (isopropyl alcohol).</p>			
			

ADVICE

<p>Refer to the Workshop Manual for removal and installation of vehicle parts.</p>


3. CONNECTION DIAGRAM



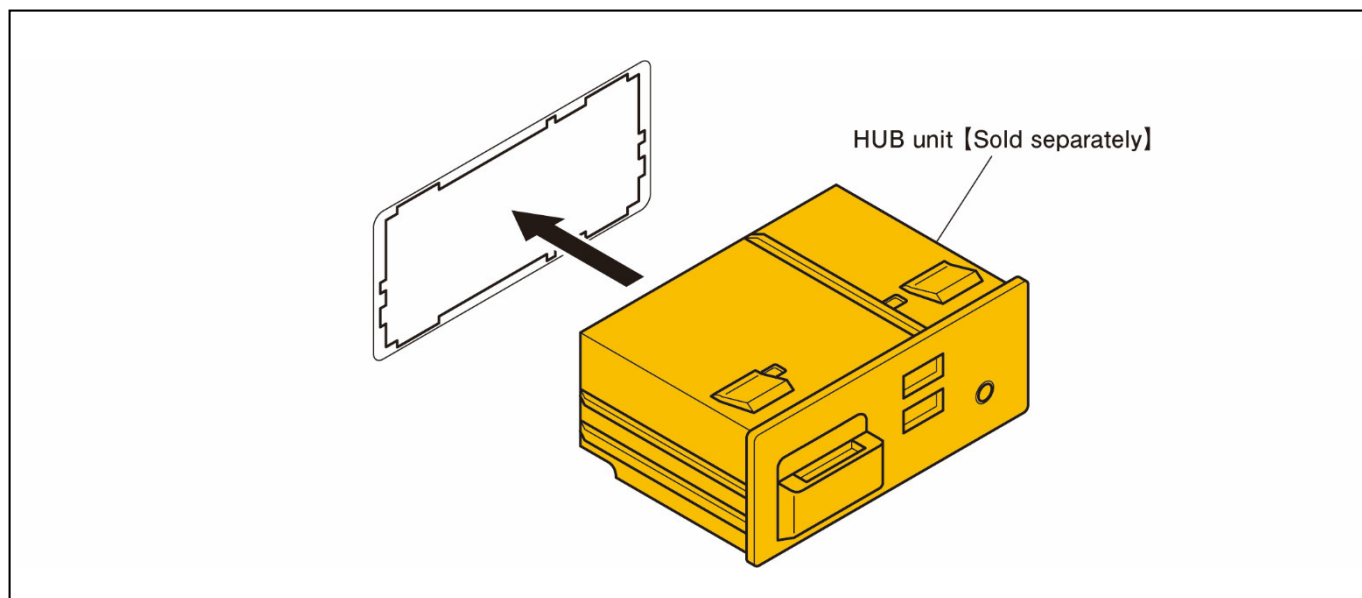
*1: To prevent noise, wrap the disconnected vehicle wiring harness connector with a piece of sponge tape (100 x 30 mm).
The diagram shows the case when there is a single vehicle wiring harness connector.
If there are two vehicle wiring harness connectors, carry out the same procedure for both connectors.

4. HUB UNIT INSTALLATION

1. Remove the AUX unit from the vehicle, and then install the HUB unit (sold separately).

⚠ CAUTION

- For details on removal and installation of parts, refer to the corresponding vehicle's Workshop manual.
- Parts that have been removed will not be reused.



5. OPERATION CHECK

While following the procedure given in the Workshop manual, use the diagnosis assist function of the connectivity master unit or the diagnostic device to check that no service codes are displayed.

MAZDA3

■ LH (When installed to front console)

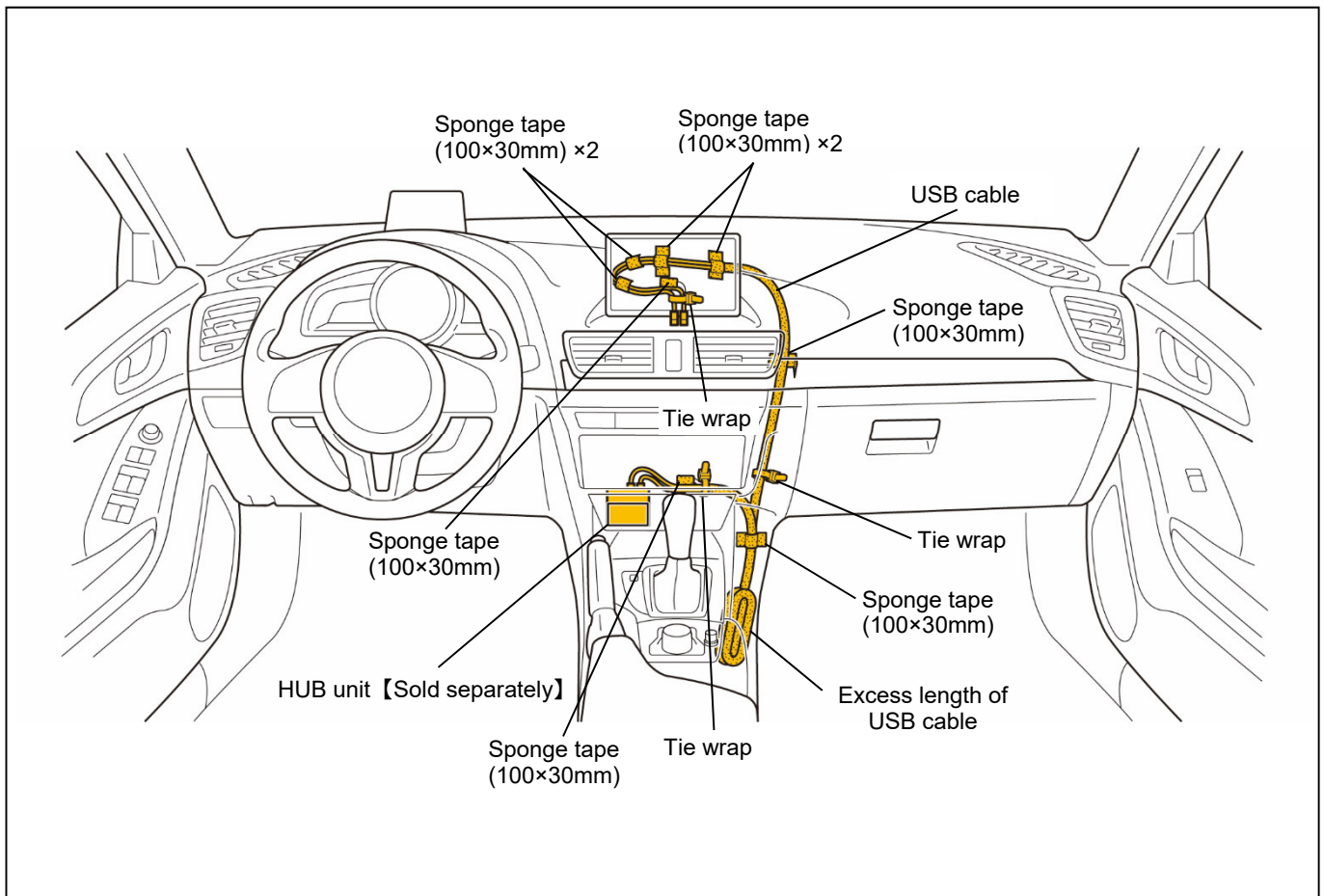
▲ Be sure to carry out the following before starting work

If an older version of the CMU software is being used, the CarPlay/Android Auto-compatible USB hub may not be recognized.

If the software version is not v70.00.21 or later, be sure to update the software.

Once the CMU has been attached to the CarPlay/Android Auto-compatible USB hub, the software cannot be updated.

1. INSTALLATION VIEW

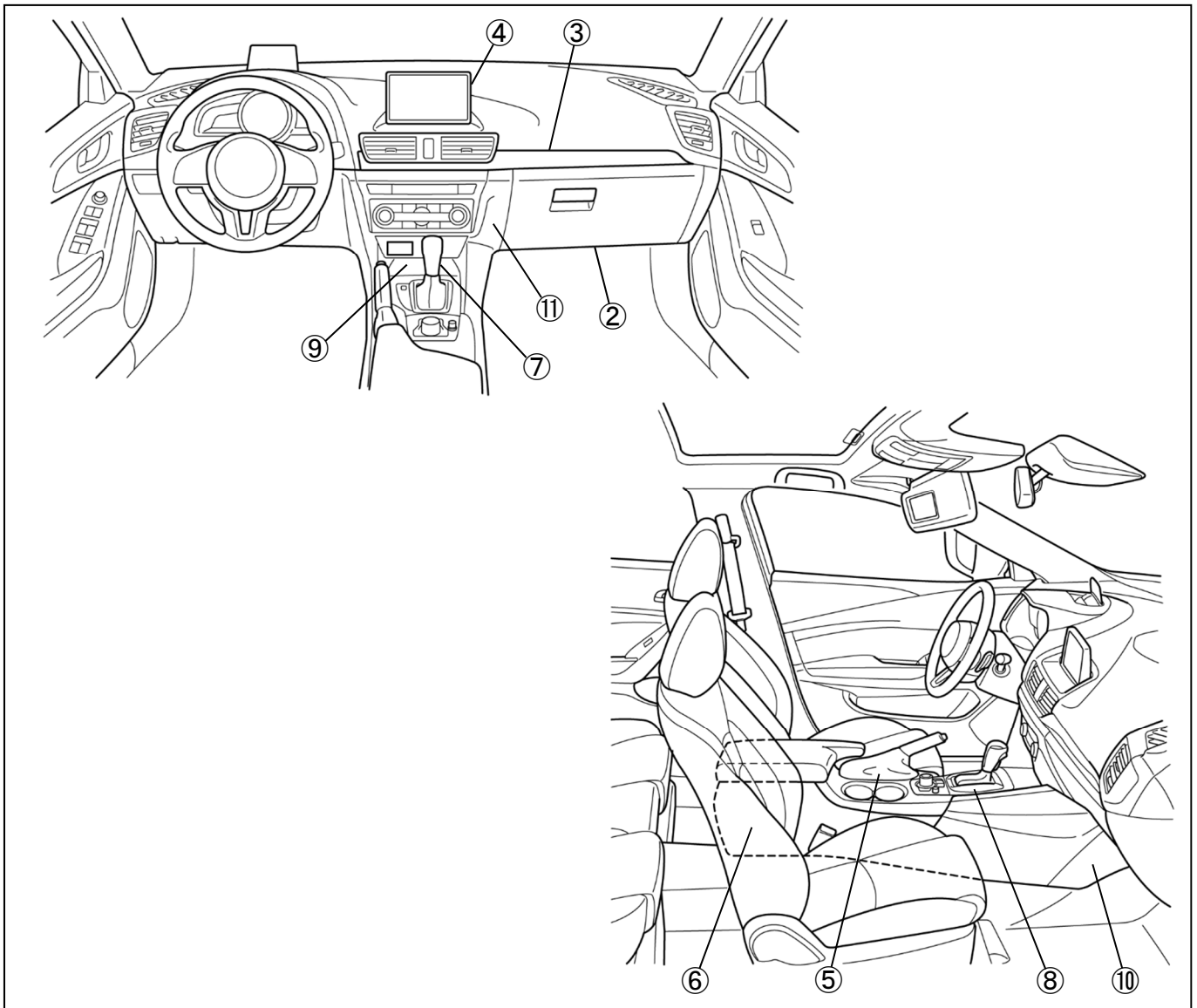


2. VEHICLE PART REMOVAL

Remove the following vehicle parts.

⚠ CAUTION

- The removed vehicle parts will be reused. Be careful not to get injured and not to lose any of the vehicle parts.
- The parts and methods of removal and installation may vary depending on the vehicle model. Refer to the corresponding Workshop manual for the vehicle being worked on.
If the procedures in the Workshop manual are not followed, accidents may result. In addition, it may cause problems with vehicle operation.



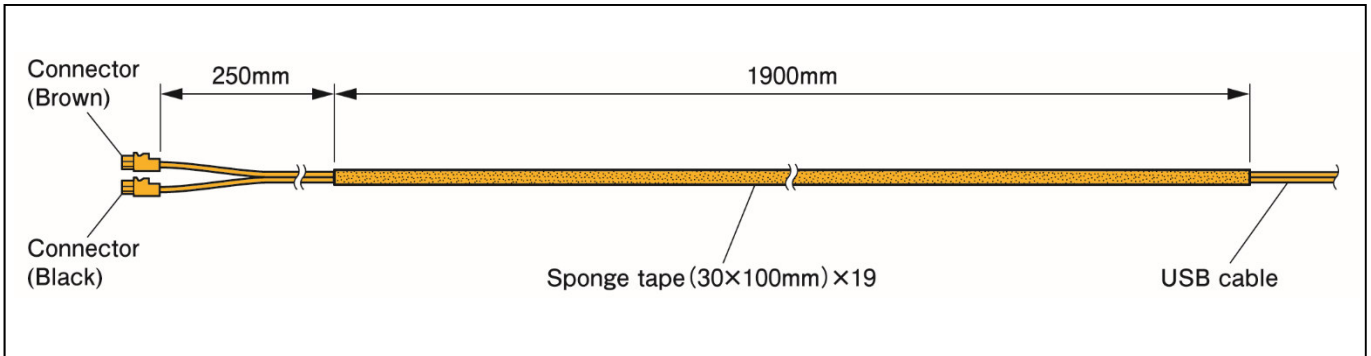
- ① **Negative battery cable disconnection**
- ② **Glove compartment**
- ③ **Decoration panel**
- ④ **Center display**
- ⑤ **Upper panel**
- ⑥ **Rear console**
- ⑦ **Shift lever knob (MTX) or Selector lever knob (ATX)**
- ⑧ **Shift panel**
- ⑨ **Front console box**
- ⑩ **Driver/passenger-side side wall**
- ⑪ **Front console**

MAZDA3

3. BEFORE INSTALLATION

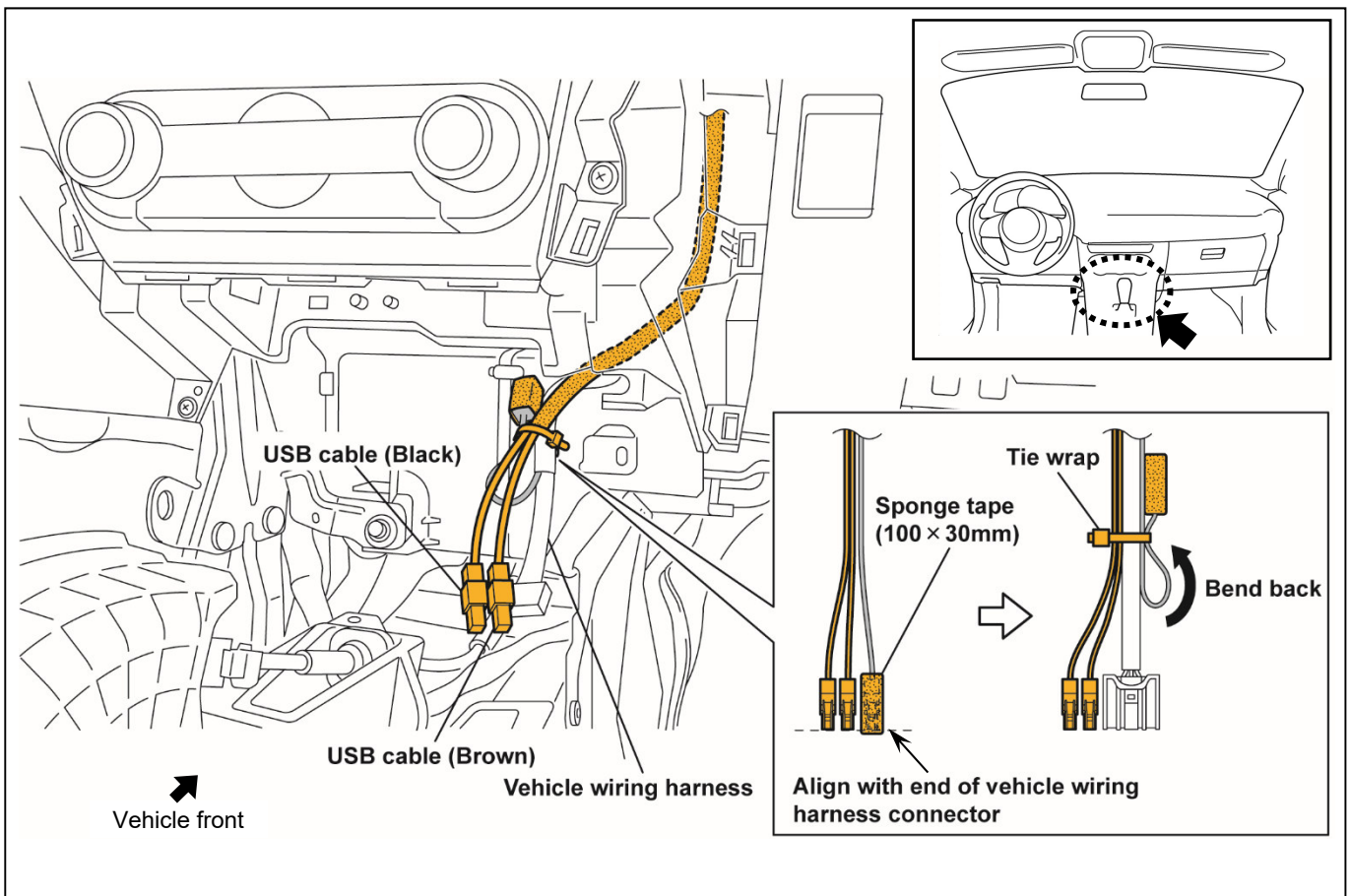
■ Winding sponge tape

1. Wind sponge tape (100 mm x 30 mm) around the USB cable.



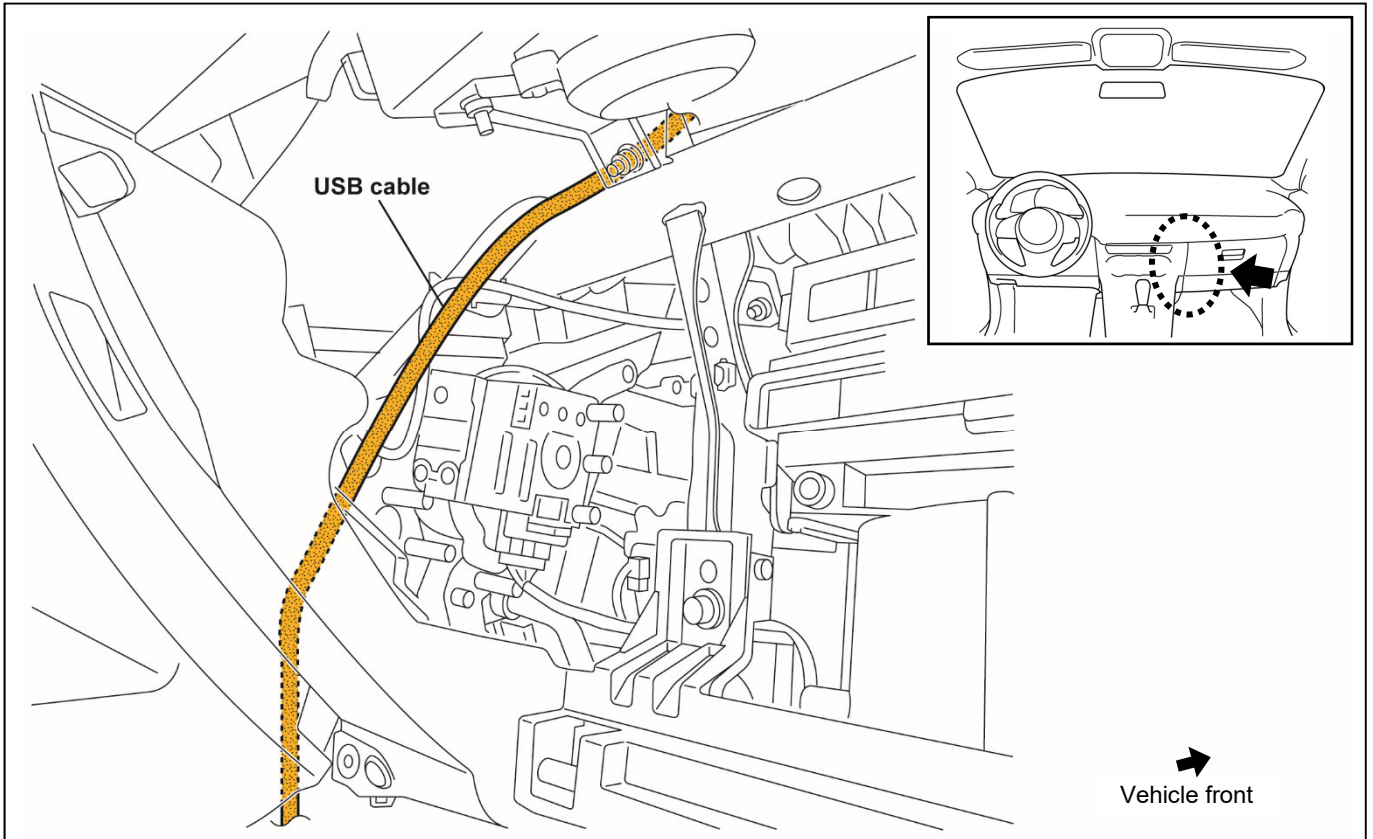
4. CABLE ROUTING

1. To prevent noise, wrap the disconnected vehicle wiring harness connector with a piece of sponge tape (100 x 30 mm).
2. Align the ends of the vehicle wiring harness connector and the USB cable connector.
3. Bend back the vehicle wiring harness connector, and then use a tie wrap to secure the vehicle wiring harness together with the USB cable.

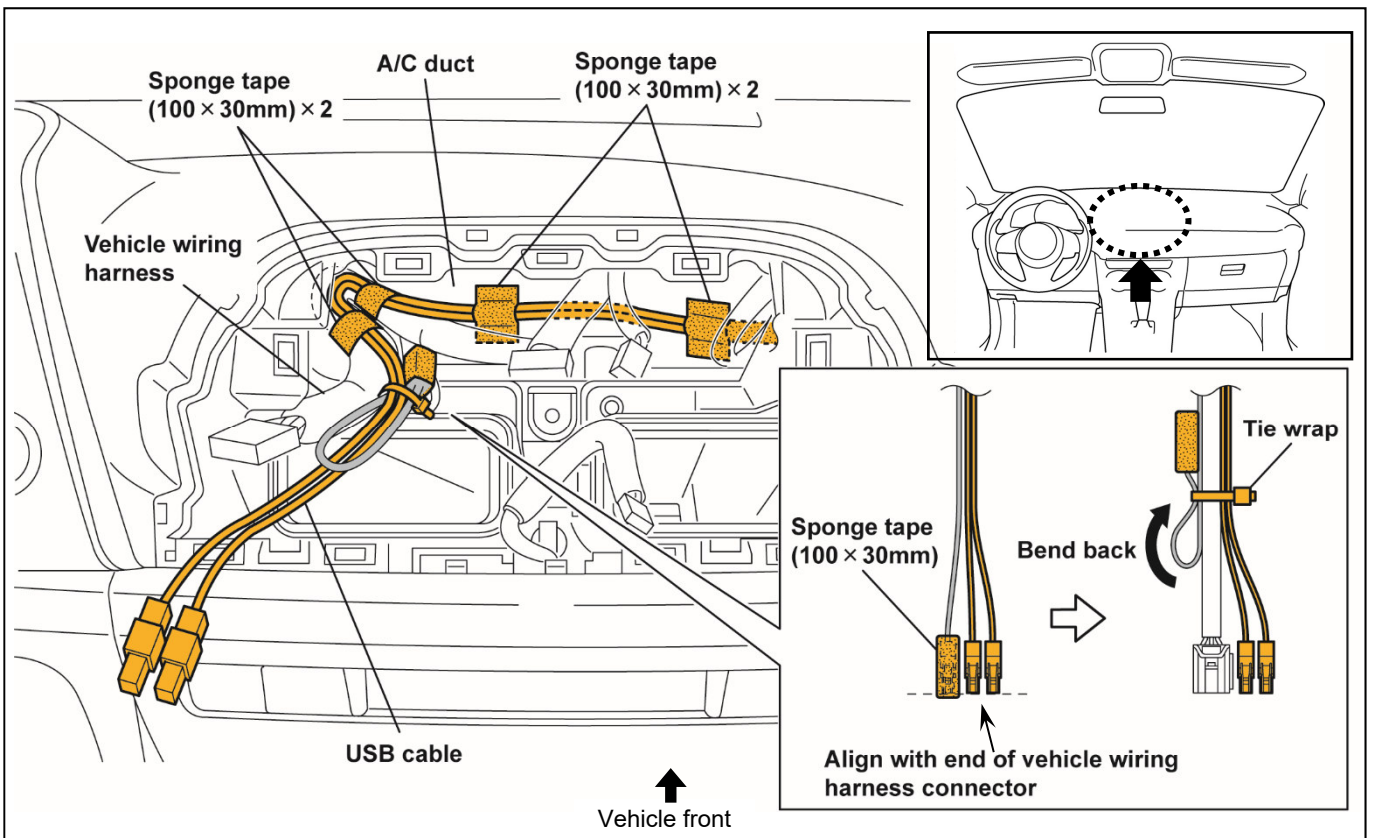


MAZDA3

4. Route the USB cable to the underside of the center display.

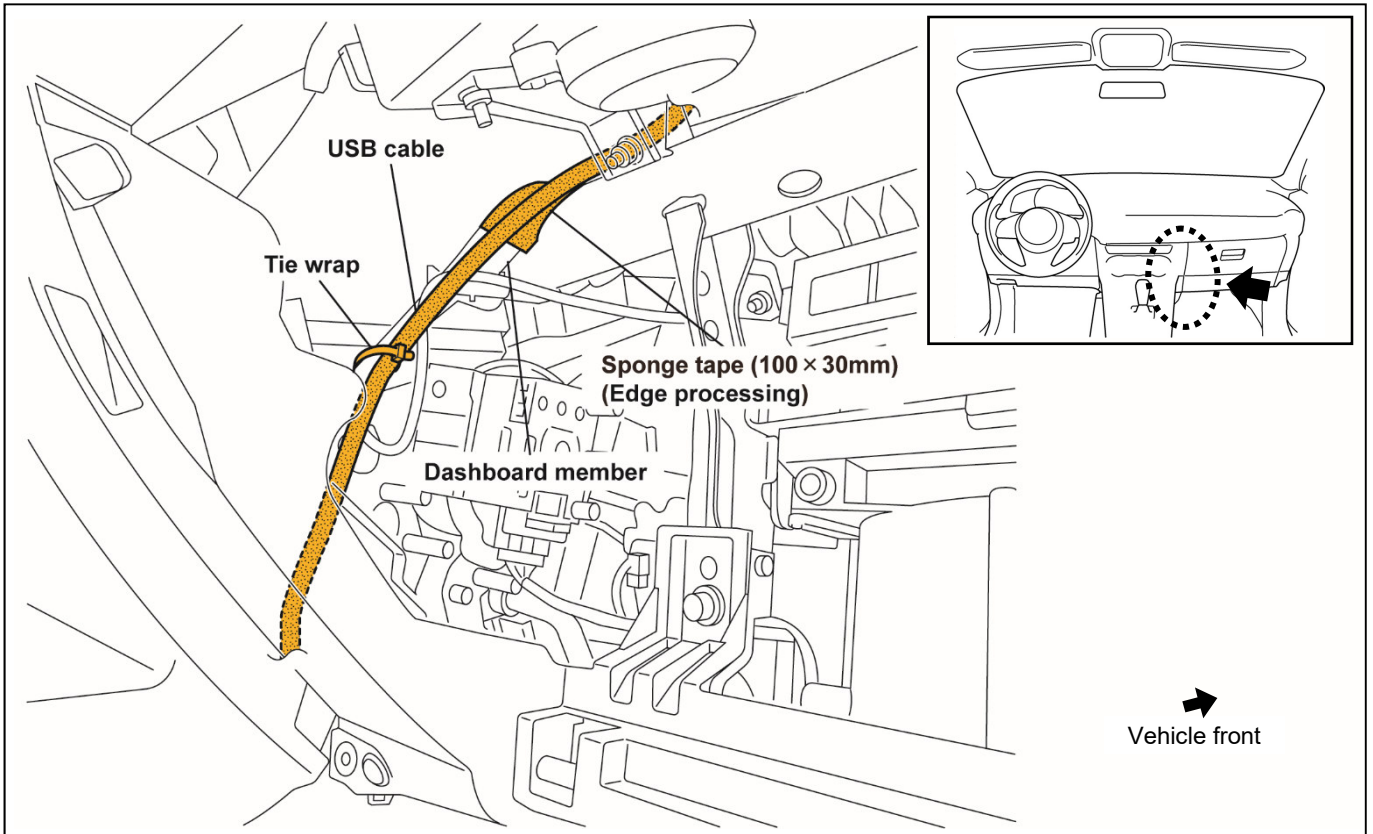


5. To prevent noise, wrap the disconnected vehicle wiring harness connector with a piece of sponge tape (100 x 30 mm).
6. Align the ends of the vehicle wiring harness connector and the USB cable connector.
7. Bend back the vehicle wiring harness connector, and then use a tie wrap to secure the vehicle wiring harness together with the USB cable.
8. Secure the USB cable to the vehicle wiring harness or A/C duct with sponge tape (100 x 30 mm).

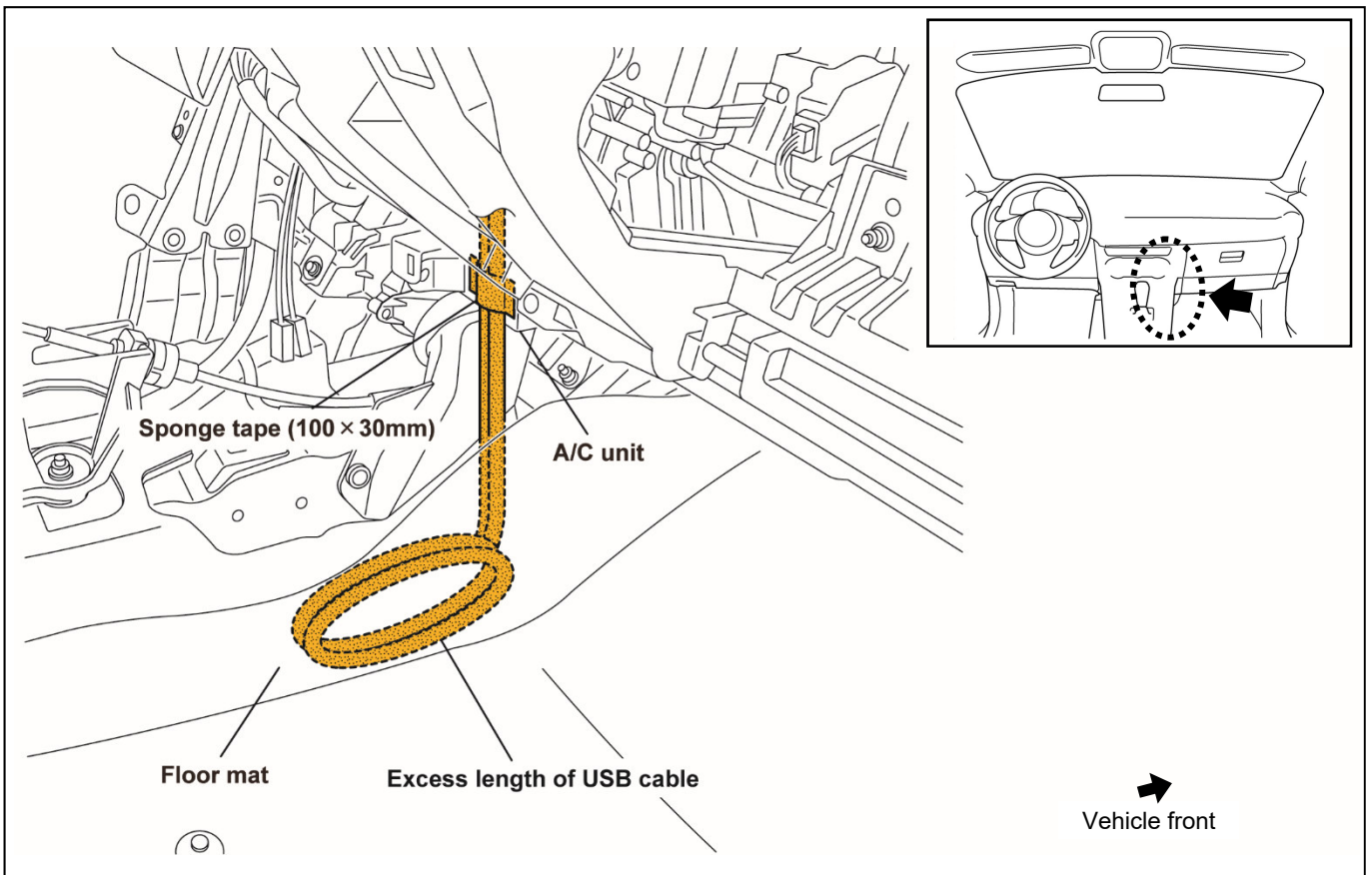


MAZDA3

9. Attach sponge tape (100 x 30 mm) to the edge of the vehicle.
10. Secure the USB cable to the dashboard member with a tie wrap.



11. Secure the USB cable to the A/C unit with sponge tape (100 x 30 mm).
12. Bind the excess length of USB cable together and push it under the floor mat.



5. CAUTIONS WHEN RE-INSTALLING

1. Reinstall parts in the reverse order of the installation procedure in "VEHICLE PARTS REMOVAL".
(Refer to "3. CONNECTION DIAGRAM" on P.4 for details on connecting the USB cable connector.)
2. Refer to "Required servicing after disconnecting/connecting negative battery cable" in the vehicle workshop manual or the owner's manual to restore the vehicle functions.
3. Perform reinstallation and inspection of the vehicle parts.
Refer to "5. OPERATION CHECK on P5 to carry out an operation check.

MAZDA3

■ LH (When installed to rear console)

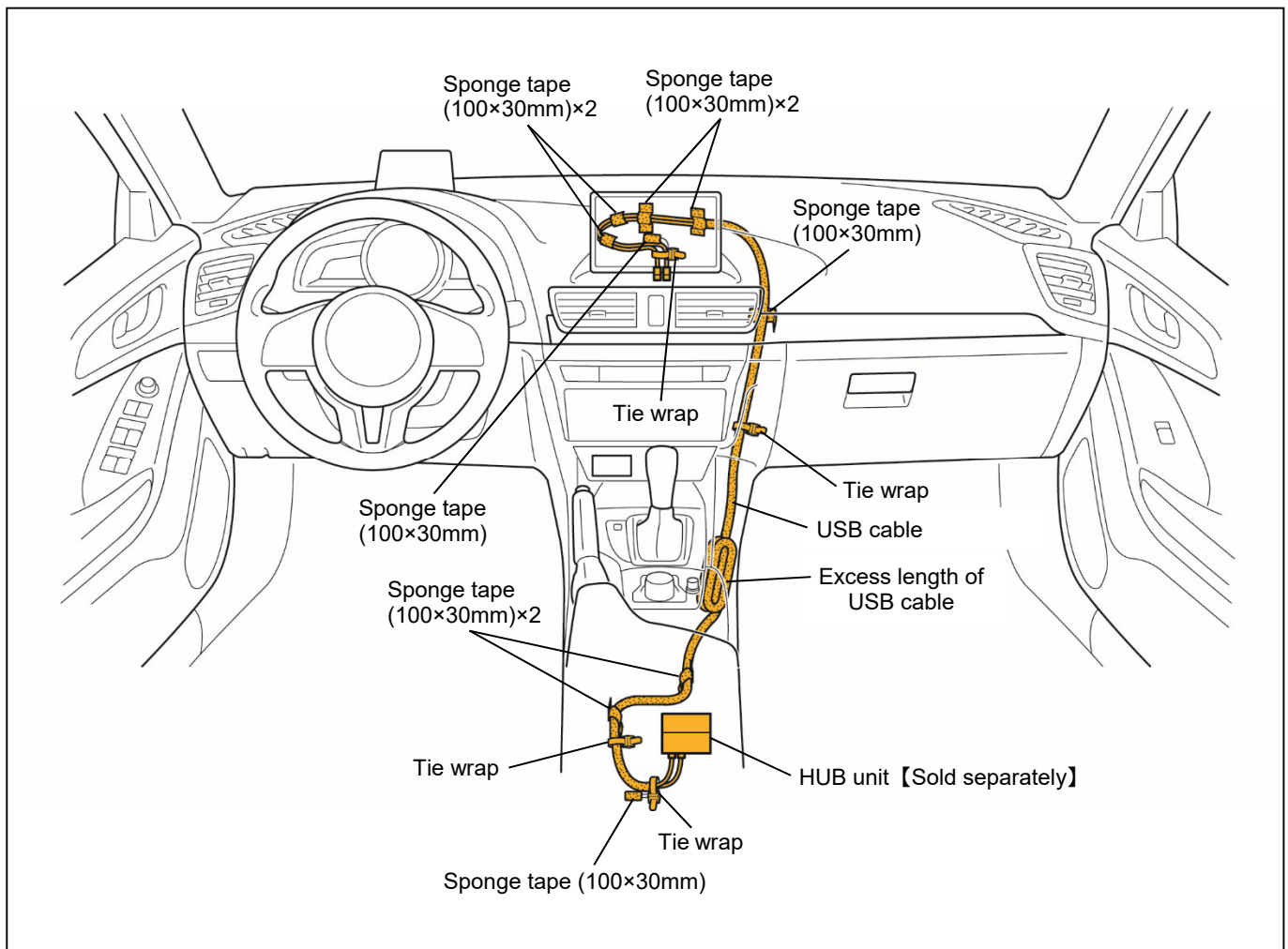
⚠ Be sure to carry out the following before starting work

If an older version of the CMU software is being used, the CarPlay/Android Auto-compatible USB hub may not be recognized.

If the software version is not v70.00.21 or later, be sure to update the software.

Once the CMU has been attached to the CarPlay/Android Auto-compatible USB hub, the software cannot be updated.

1. INSTALLATION VIEW

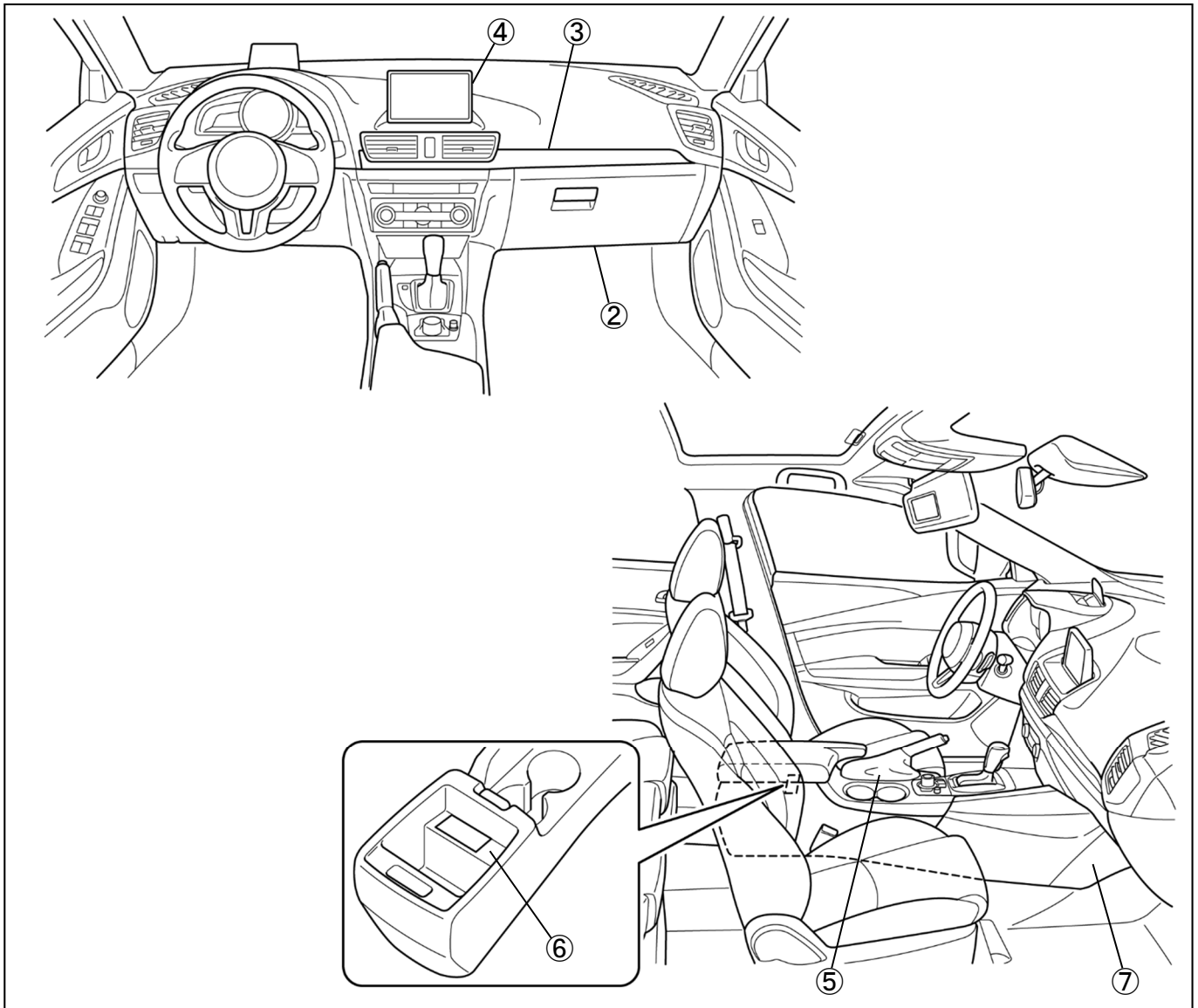


2. VEHICLE PART REMOVAL

Remove the following vehicle parts.

⚠ CAUTION

- The removed vehicle parts will be reused. Be careful not to get injured and not to lose any of the vehicle parts.
- The parts and methods of removal and installation may vary depending on the vehicle model. Refer to the corresponding Workshop manual for the vehicle being worked on.
If the procedures in the Workshop manual are not followed, accidents may result. In addition, it may cause problems with vehicle operation.



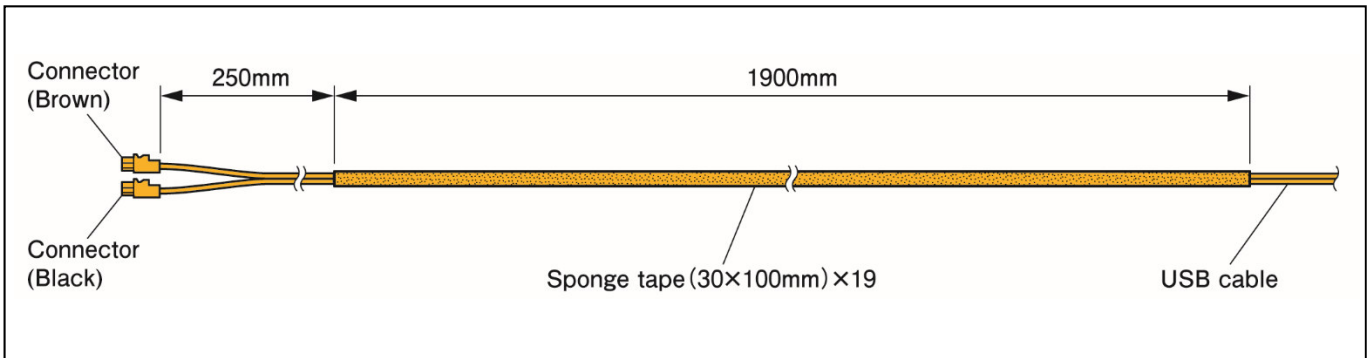
- ① **Negative battery cable disconnection**
- ② **Glove compartment**
- ③ **Decoration panel**
- ④ **Center display**
- ⑤ **Upper panel**
- ⑥ **Console up**
- ⑦ **Passenger-side side wall**

MAZDA3

3. BEFORE INSTALLATION

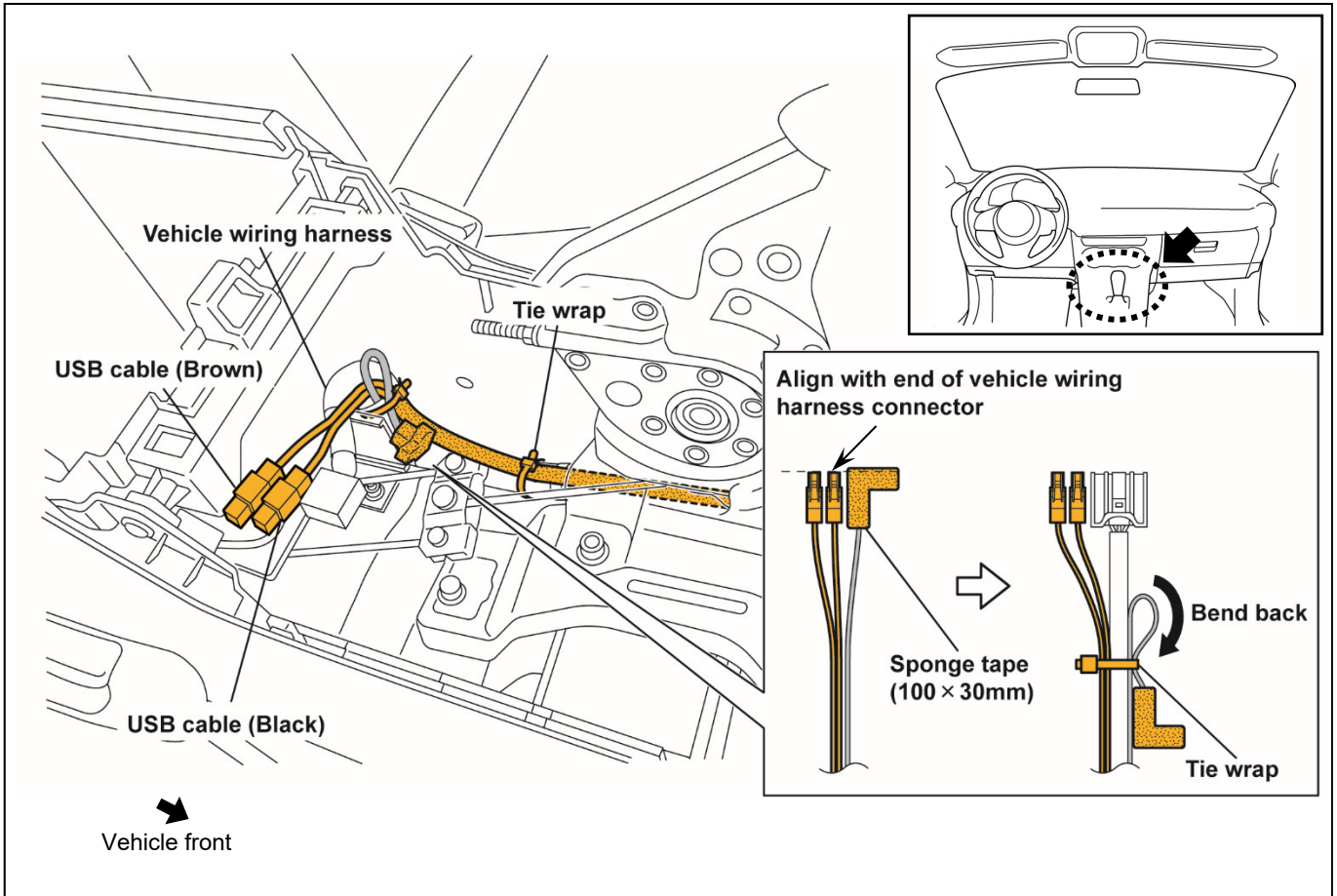
■ Winding sponge tape

1. Wind sponge tape (100 mm x 30 mm) around the USB cable.



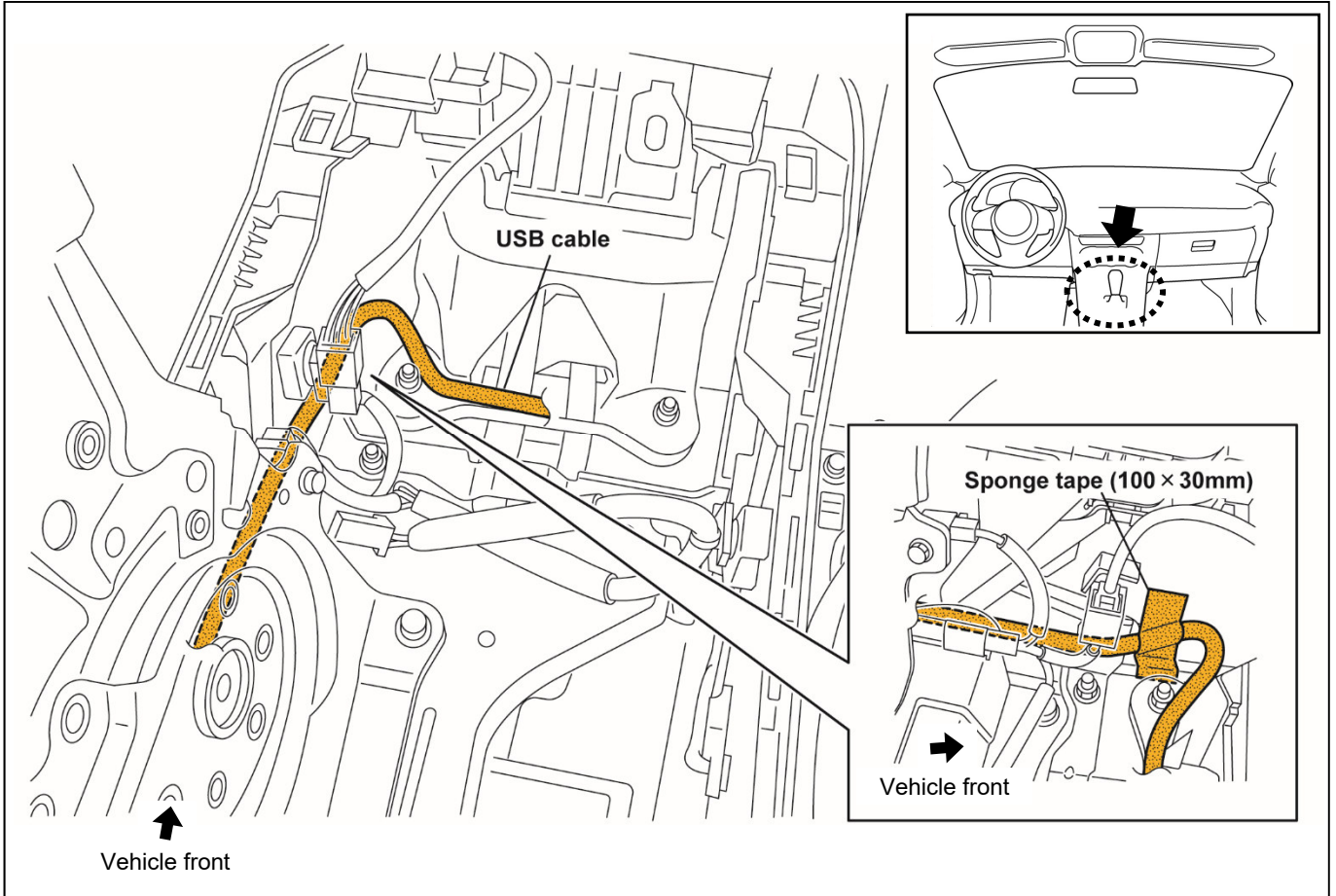
4. CABLE ROUTING

1. To prevent noise, wrap the disconnected vehicle wiring harness connector with a piece of sponge tape (100 x 30 mm).
2. Align the ends of the vehicle wiring harness connector and the USB cable connector.
3. Bend back the vehicle wiring harness connector, and then use a tie wrap to secure the vehicle wiring harness together with the USB cable.

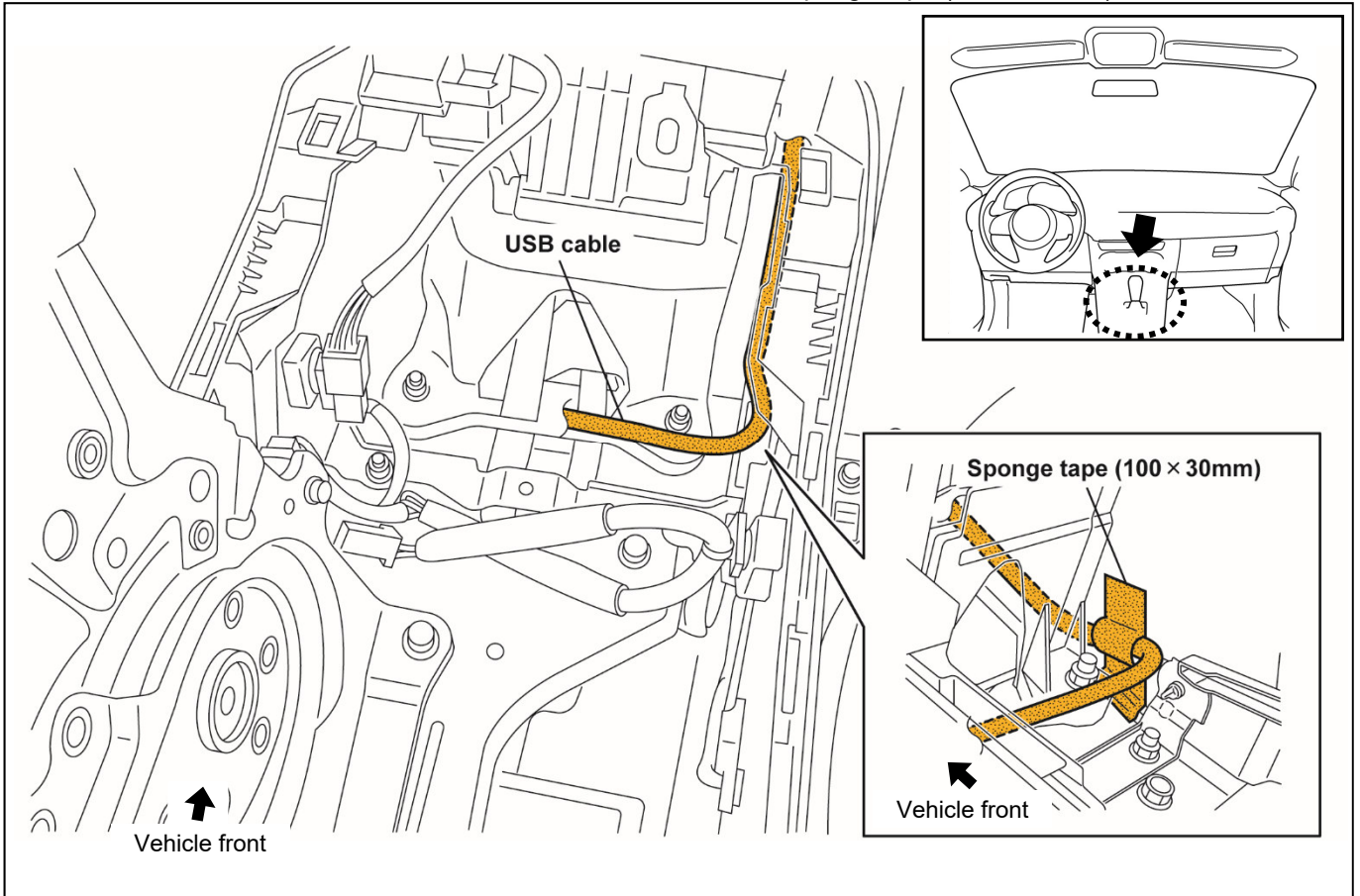


MAZDA3

4. Secure the USB cable to the underside of the rear console with sponge tape (100 x 30 mm).

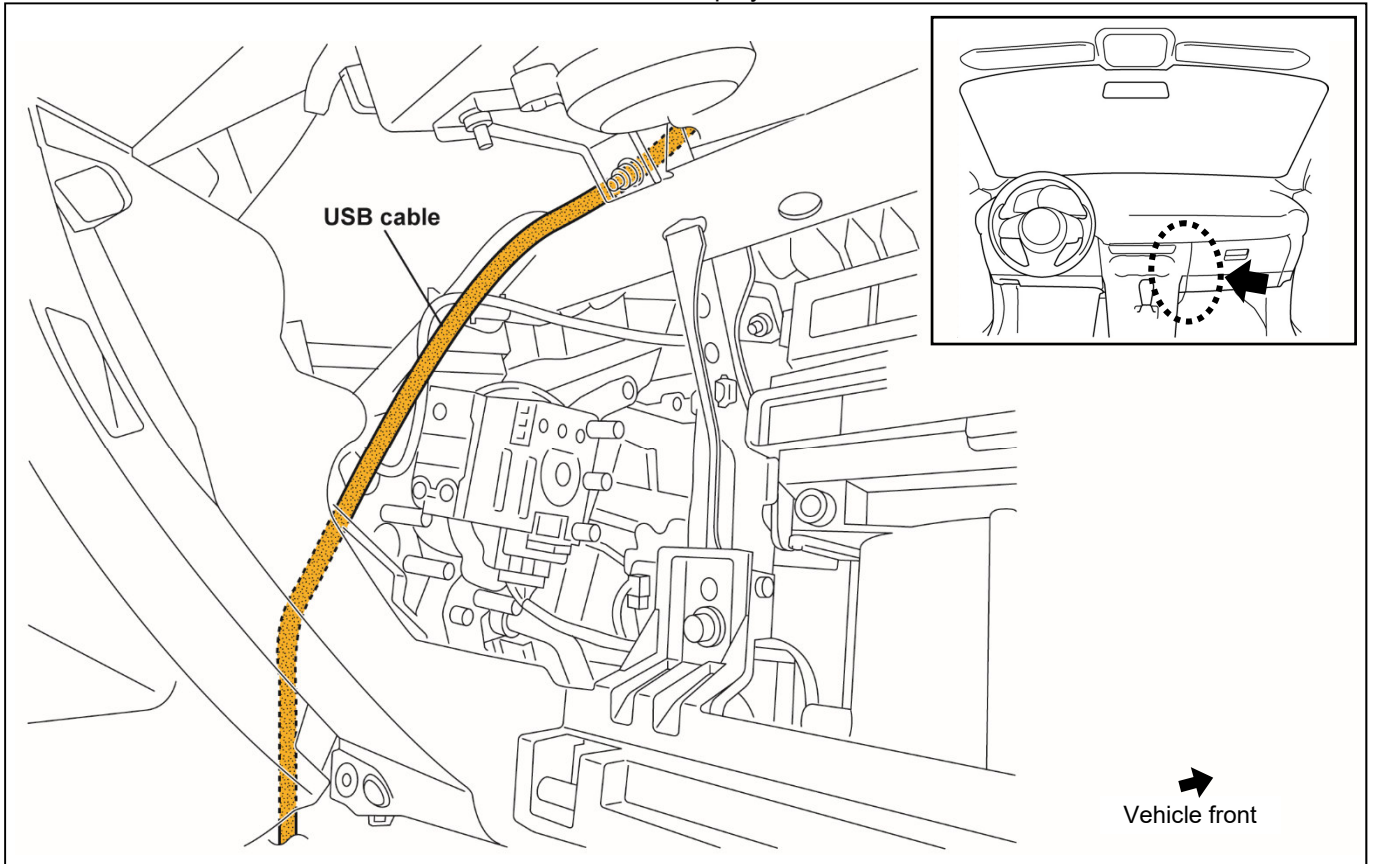


5. Secure the USB cable to the underside of the rear console with sponge tape (100 x 30 mm).



MAZDA3

6. Route the USB cable to the underside of the center display.

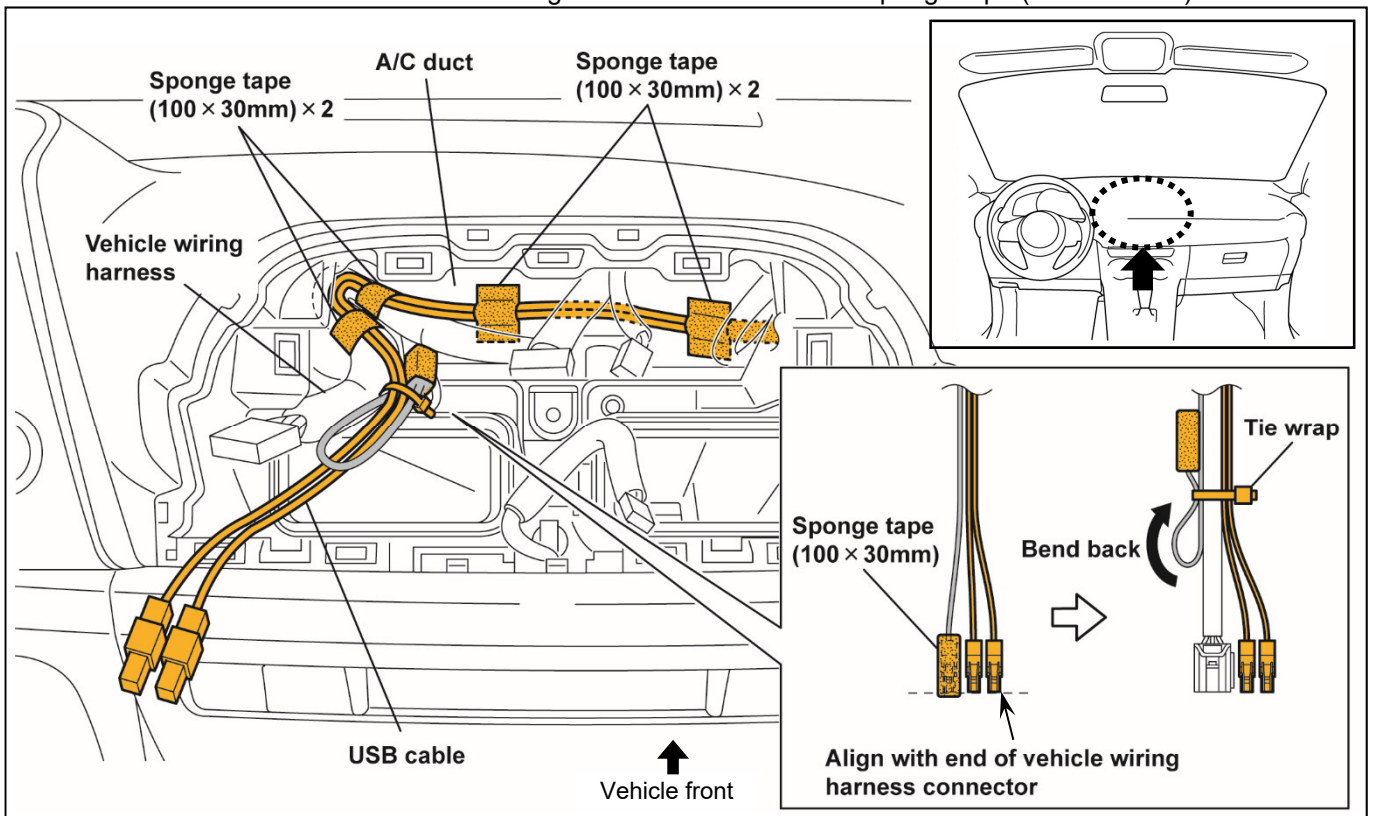


7. To prevent noise, wrap the disconnected vehicle wiring harness connector with a piece of sponge tape (100 x 30 mm).

8. Align the ends of the vehicle wiring harness connector and the USB cable connector.

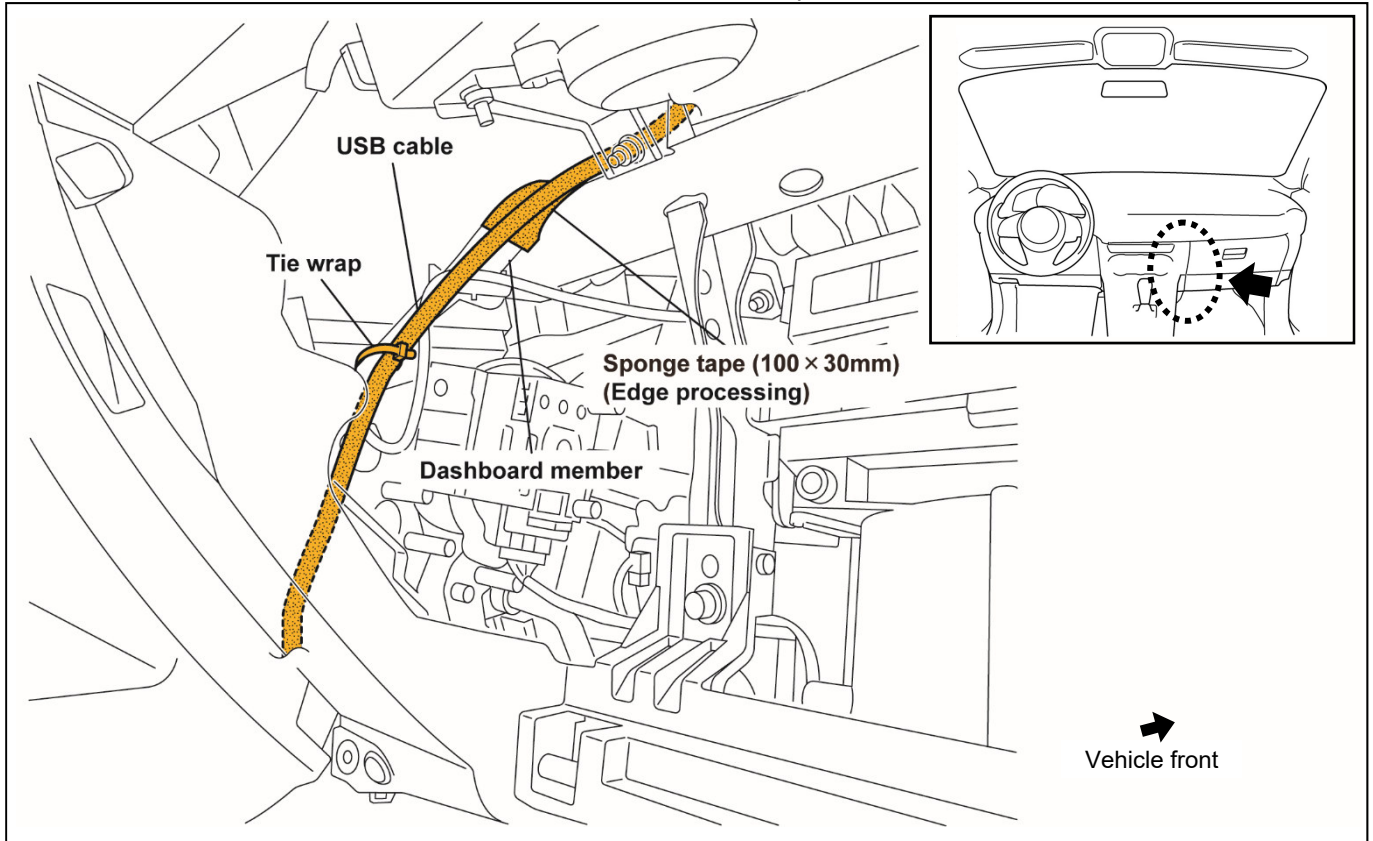
9. Bend back the vehicle wiring harness connector, and then use a tie wrap to secure the vehicle wiring harness together with the USB cable.

10. Secure the USB cable to the vehicle wiring harness or A/C duct with sponge tape (100 x 30 mm).

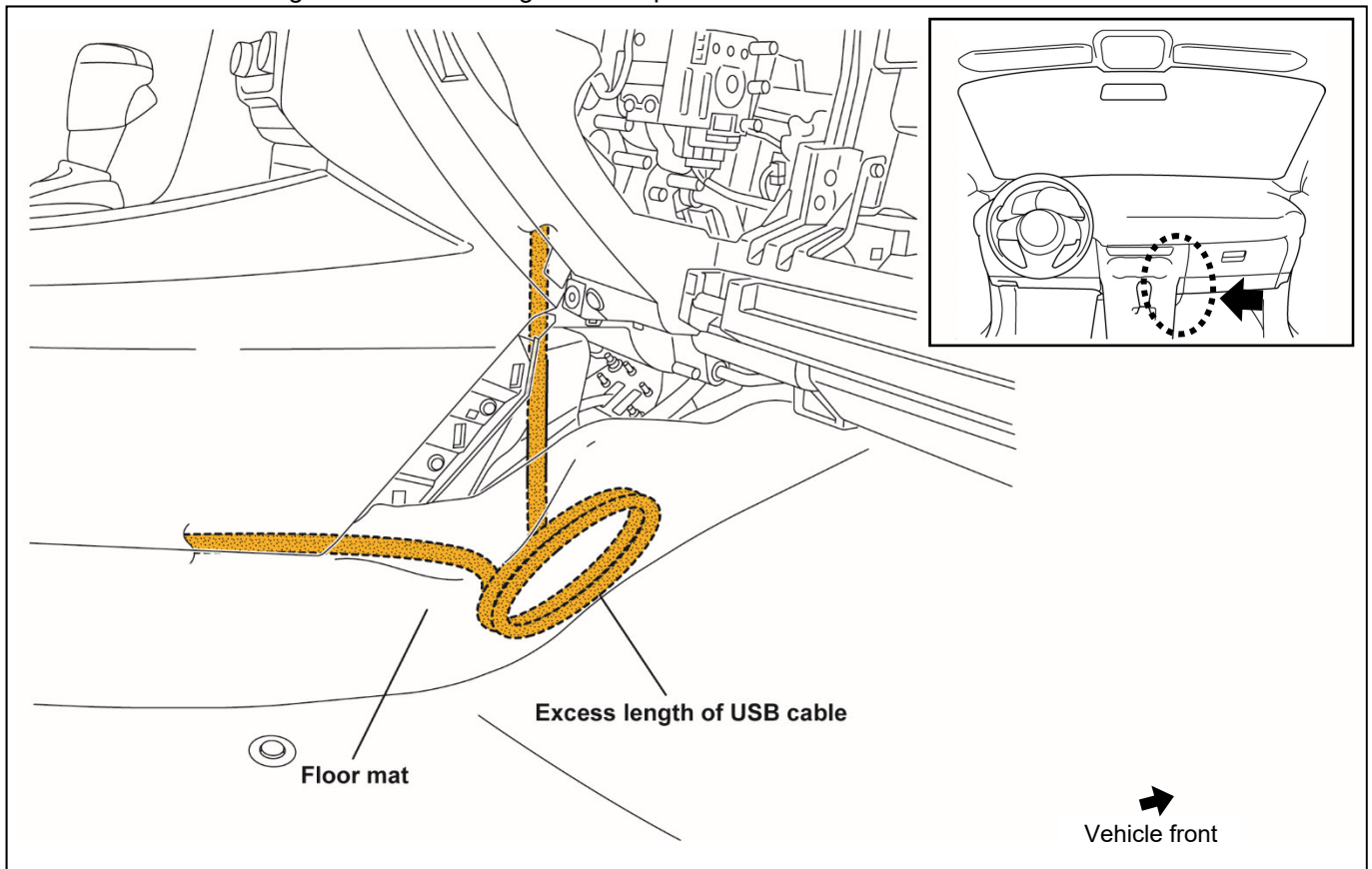


MAZDA3

11. Attach sponge tape (100 x 30 mm) to the edge of the vehicle.
12. Secure the USB cable to the dashboard member with a tie wrap.



13. Bind the excess length of USB cable together and push it under the floor mat.



MAZDA3

5. CAUTIONS WHEN RE-INSTALLING

1. Reinstall parts in the reverse order of the installation procedure in "VEHICLE PARTS REMOVAL".
(Refer to "3. CONNECTION DIAGRAM" on P.4 for details on connecting the USB cable connector.)
2. Refer to "Required servicing after disconnecting/connecting negative battery cable" in the vehicle workshop manual or the owner's manual to restore the vehicle functions.
3. Perform reinstallation and inspection of the vehicle parts.
Refer to "5. OPERATION CHECK" on P5 to carry out an operation check.

MAZDA3

■ RH (When installed to front console)

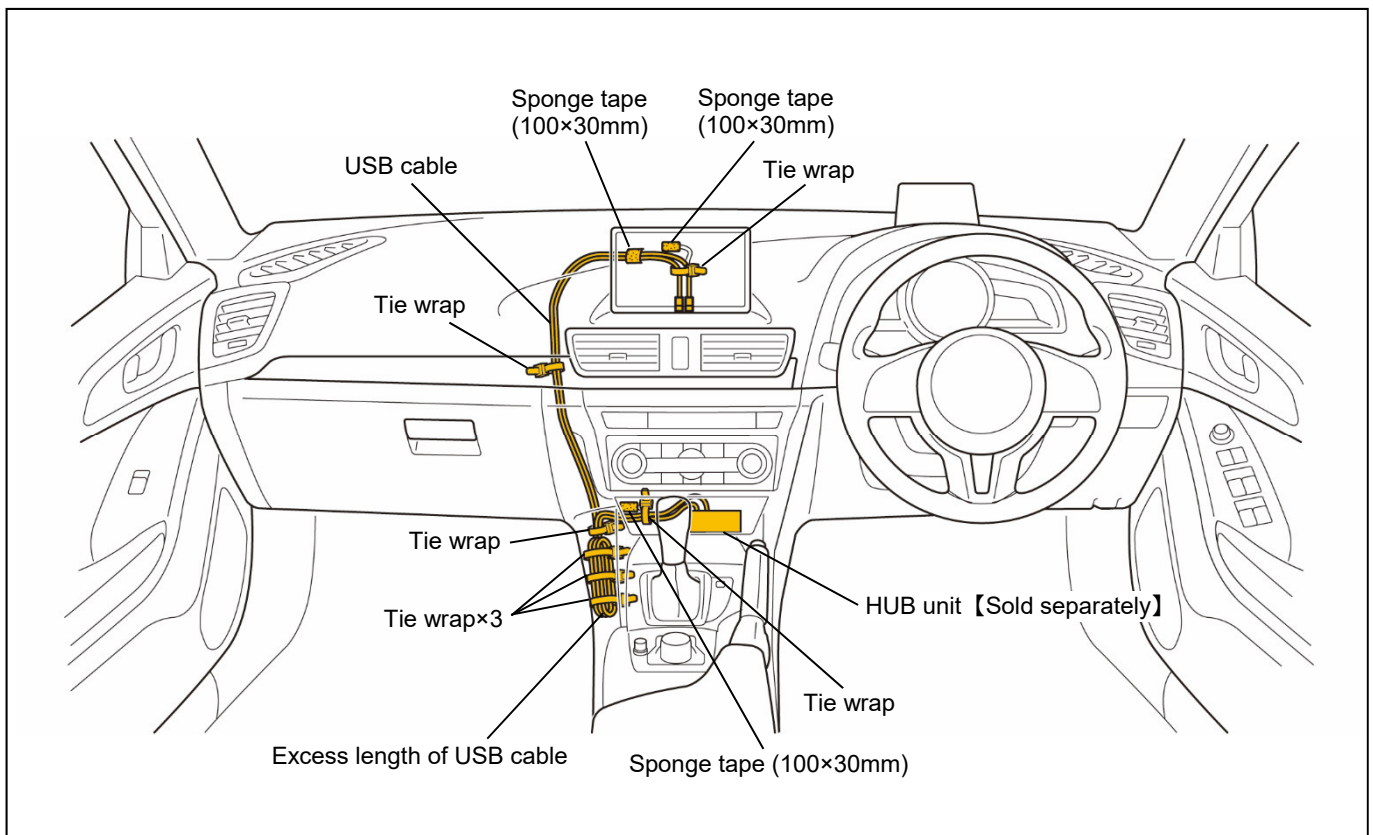
⚠ Be sure to carry out the following before starting work

If an older version of the CMU software is being used, the CarPlay/Android Auto-compatible USB hub may not be recognized.

If the software version is not v70.00.21 or later, be sure to update the software.

Once the CMU has been attached to the CarPlay/Android Auto-compatible USB hub, the software cannot be updated.

1. INSTALLATION VIEW

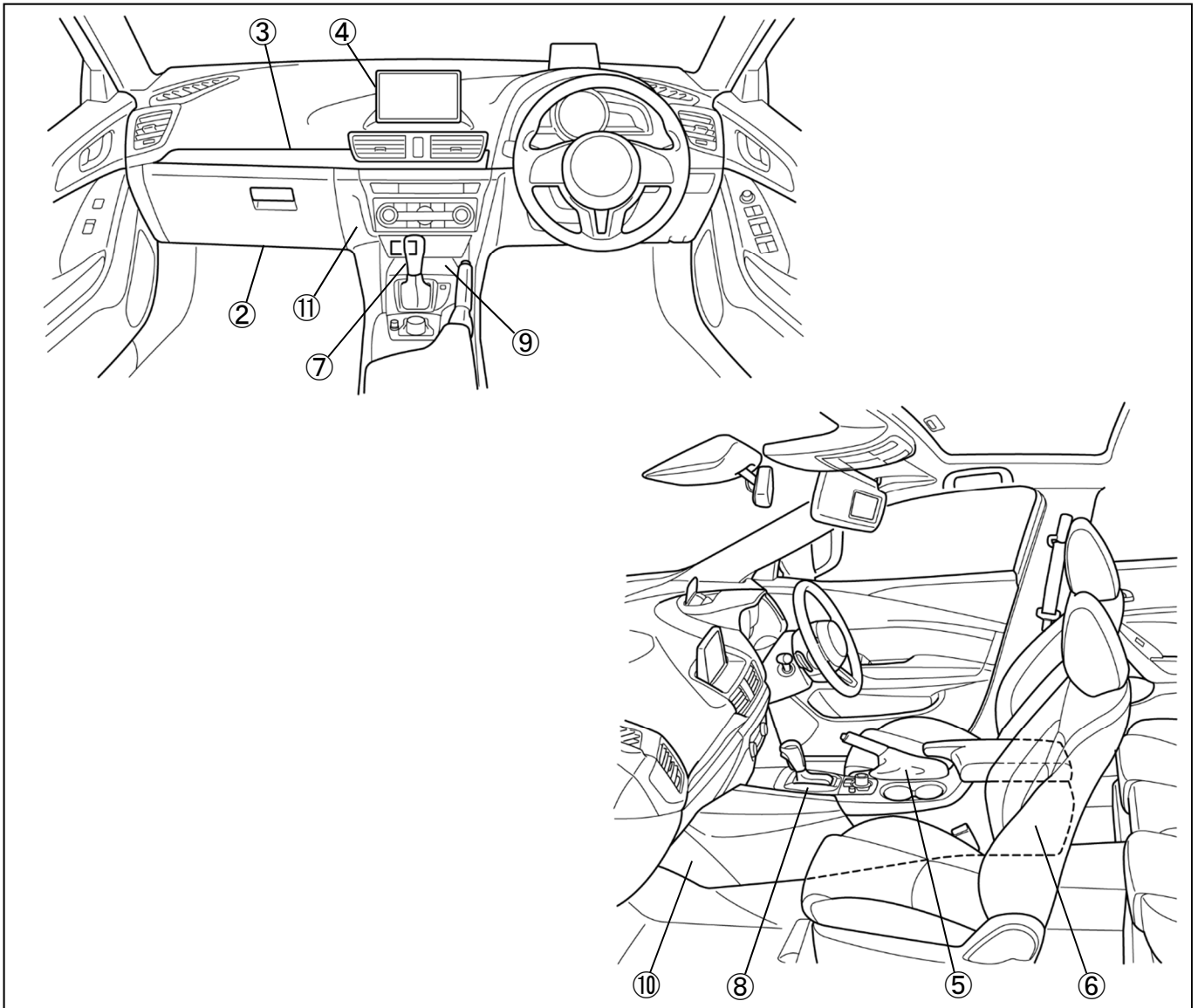


2. VEHICLE PART REMOVAL

Remove the following vehicle parts.

⚠ CAUTION

- The removed vehicle parts will be reused. Be careful not to get injured and not to lose any of the vehicle parts.
- The parts and methods of removal and installation may vary depending on the vehicle model. Refer to the corresponding Workshop manual for the vehicle being worked on.
If the procedures in the Workshop manual are not followed, accidents may result. In addition, it may cause problems with vehicle operation.

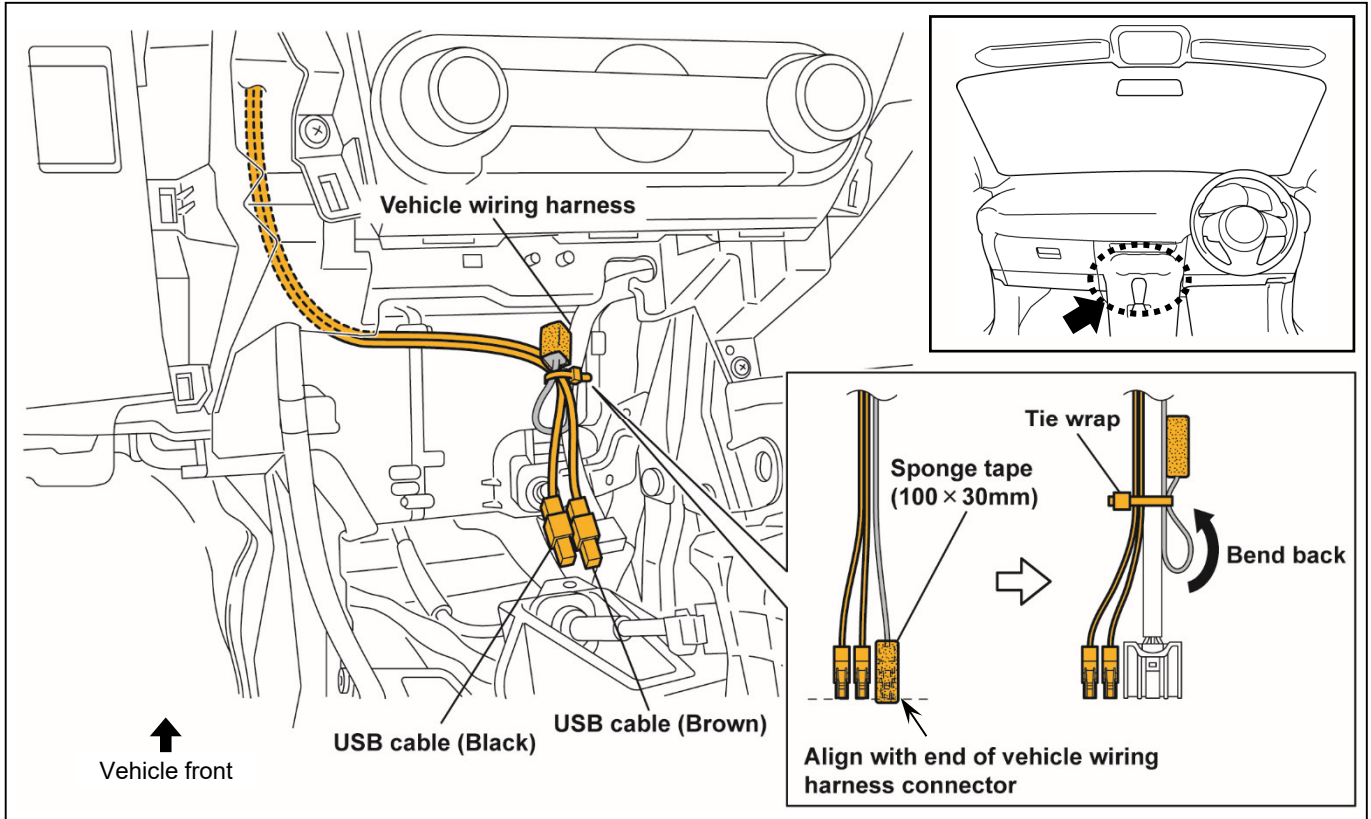


- ① **Negative battery cable disconnection**
- ② **Glove compartment**
- ③ **Decoration panel**
- ④ **Center display**
- ⑤ **Upper panel**
- ⑥ **Rear console**
- ⑦ **Shift lever knob (MTX) or Selector lever knob (ATX)**
- ⑧ **Shift panel**
- ⑨ **Front console box**
- ⑩ **Driver/passenger-side side wall**
- ⑪ **Front console**

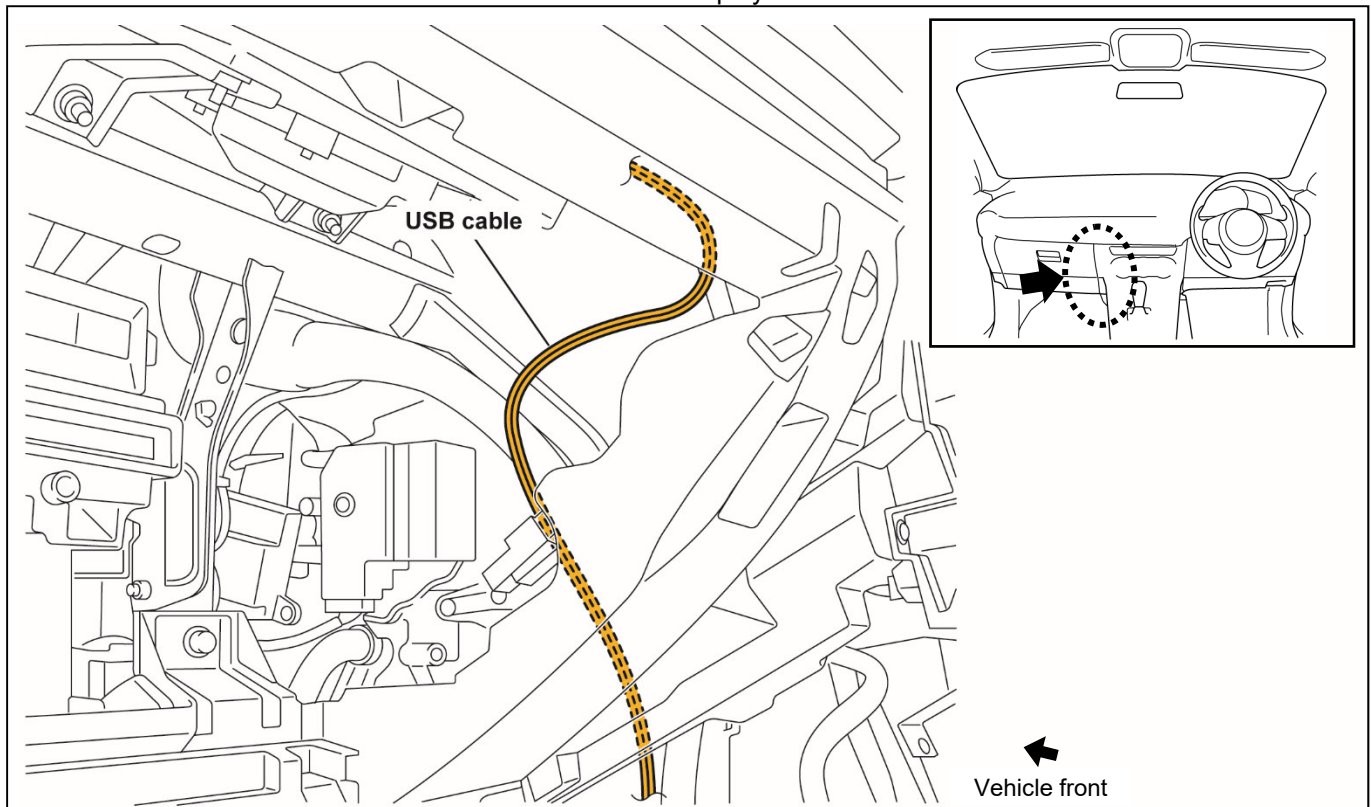
MAZDA3

3. CABLE ROUTING

1. To prevent noise, wrap the disconnected vehicle wiring harness connector with a piece of sponge tape (100 x 30 mm).
2. Align the ends of the vehicle wiring harness connector and the USB cable connector.
3. Bend back the vehicle wiring harness connector, and then use a tie wrap to secure the vehicle wiring harness together with the USB cable.

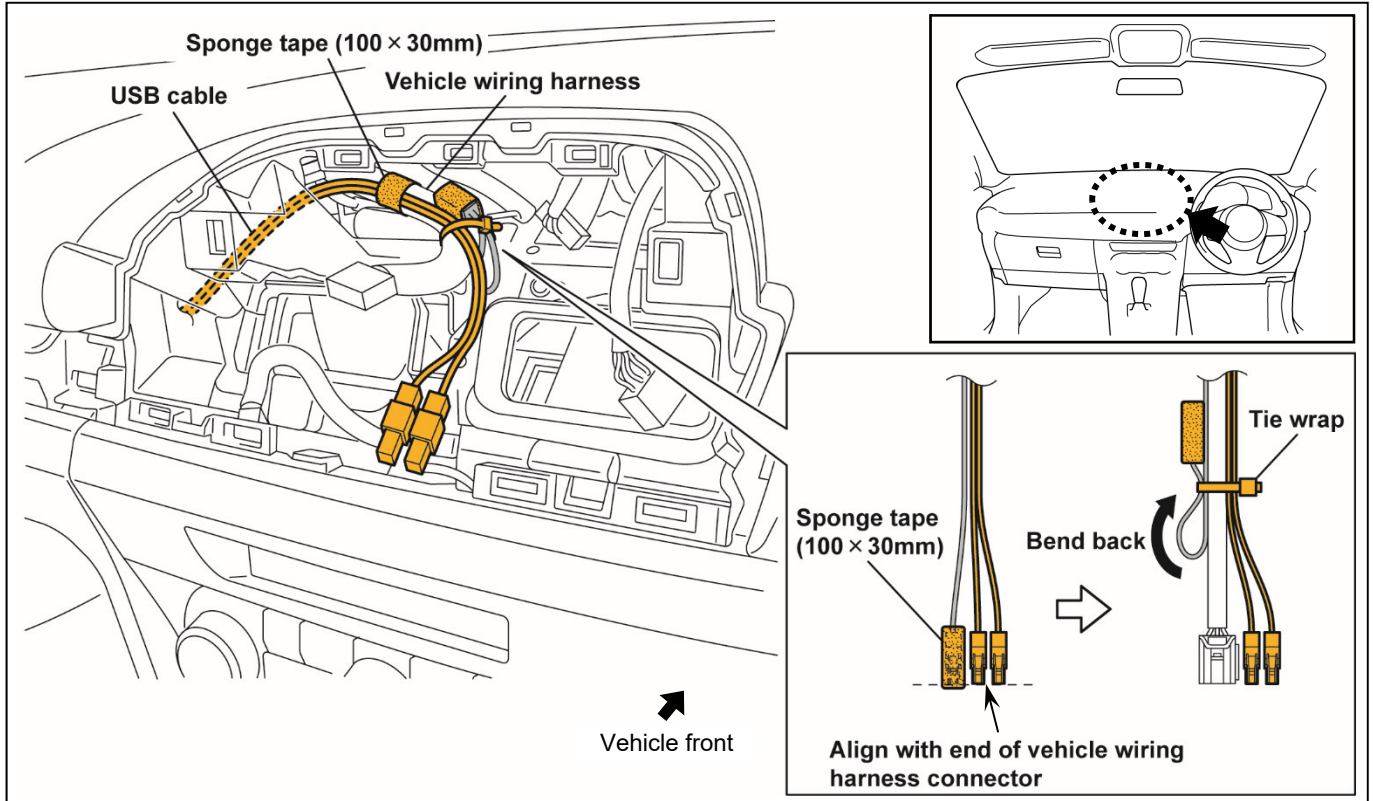


4. Route the USB cable to the underside of the center display.

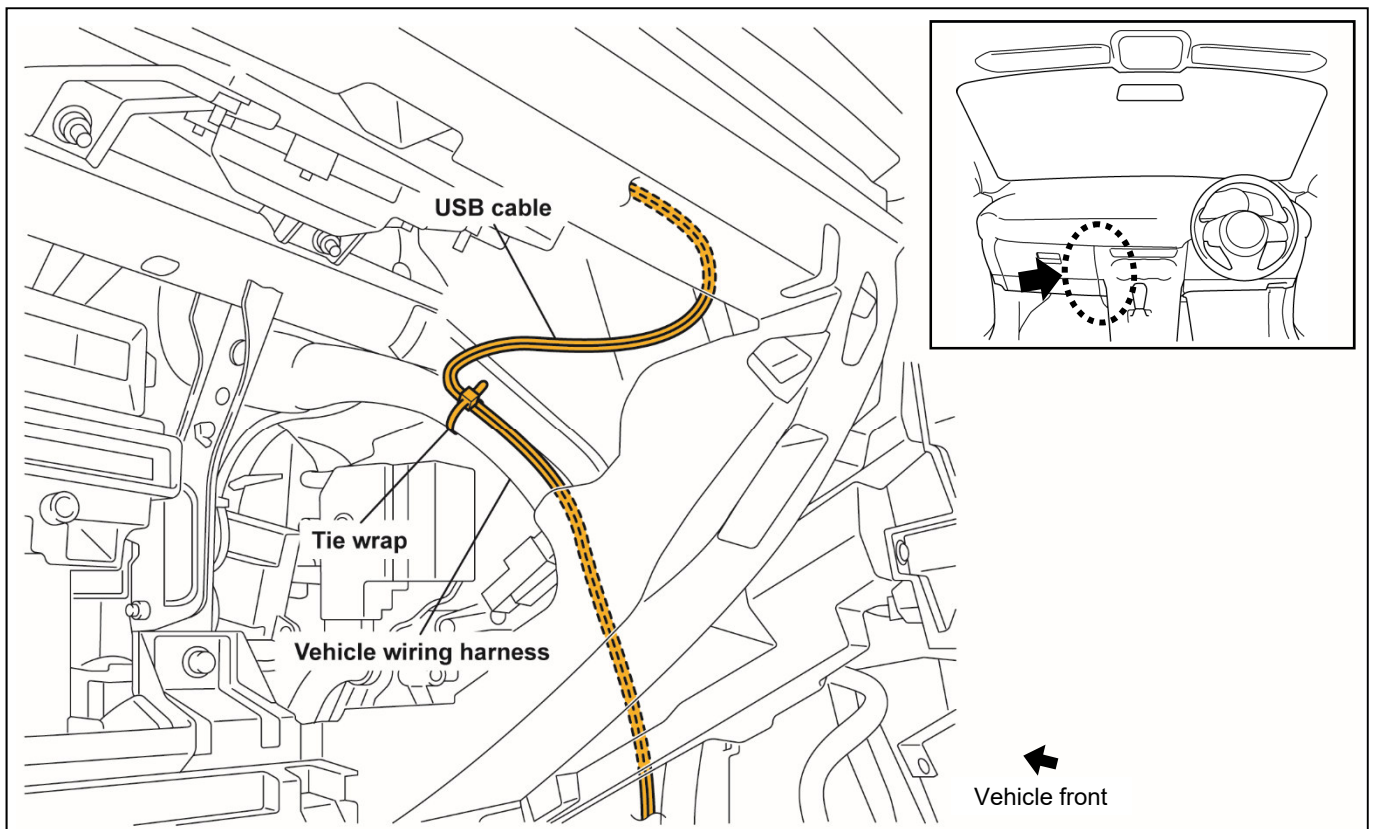


MAZDA3

5. To prevent noise, wrap the disconnected vehicle wiring harness connector with a piece of sponge tape (100 x 30 mm).
6. Align the ends of the vehicle wiring harness connector and the USB cable connector.
7. Bend back the vehicle wiring harness connector, and then use a tie wrap to secure the vehicle wiring harness together with the USB cable.
8. Secure the USB cable to the vehicle wiring harness with a sponge tape (100 x 30 mm).

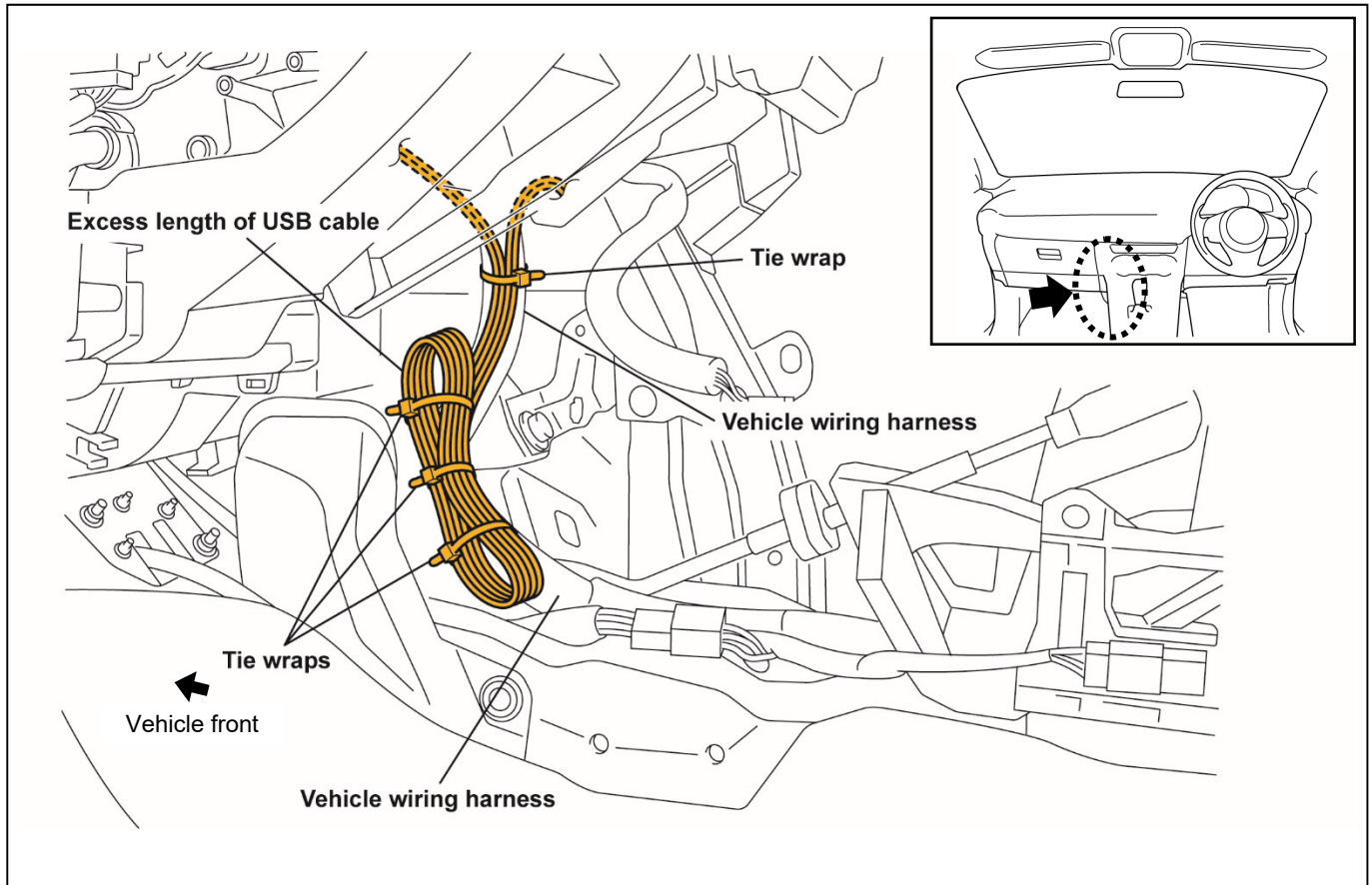


9. Secure the USB cable to the vehicle wiring harness with a tie wrap.



MAZDA3

10. Secure the USB cable to the vehicle wiring harness with a tie wrap.
11. Bind the excess length of USB cable together and secure it with tie wraps.
12. Secure the excess length of USB cable to the vehicle wiring harness with a tie wrap.



4. CAUTIONS WHEN RE-INSTALLING

1. Reinstall parts in the reverse order of the installation procedure in "VEHICLE PARTS REMOVAL".
(Refer to "3. CONNECTION DIAGRAM" on P.4 for details on connecting the USB cable connector.)
2. Refer to "Required servicing after disconnecting/connecting negative battery cable" in the vehicle workshop manual or the owner's manual to restore the vehicle functions.
3. Perform reinstallation and inspection of the vehicle parts.
Refer to "5. OPERATION CHECK on P5 to carry out an operation check.

MAZDA3

■ RH (When installed to rear console)

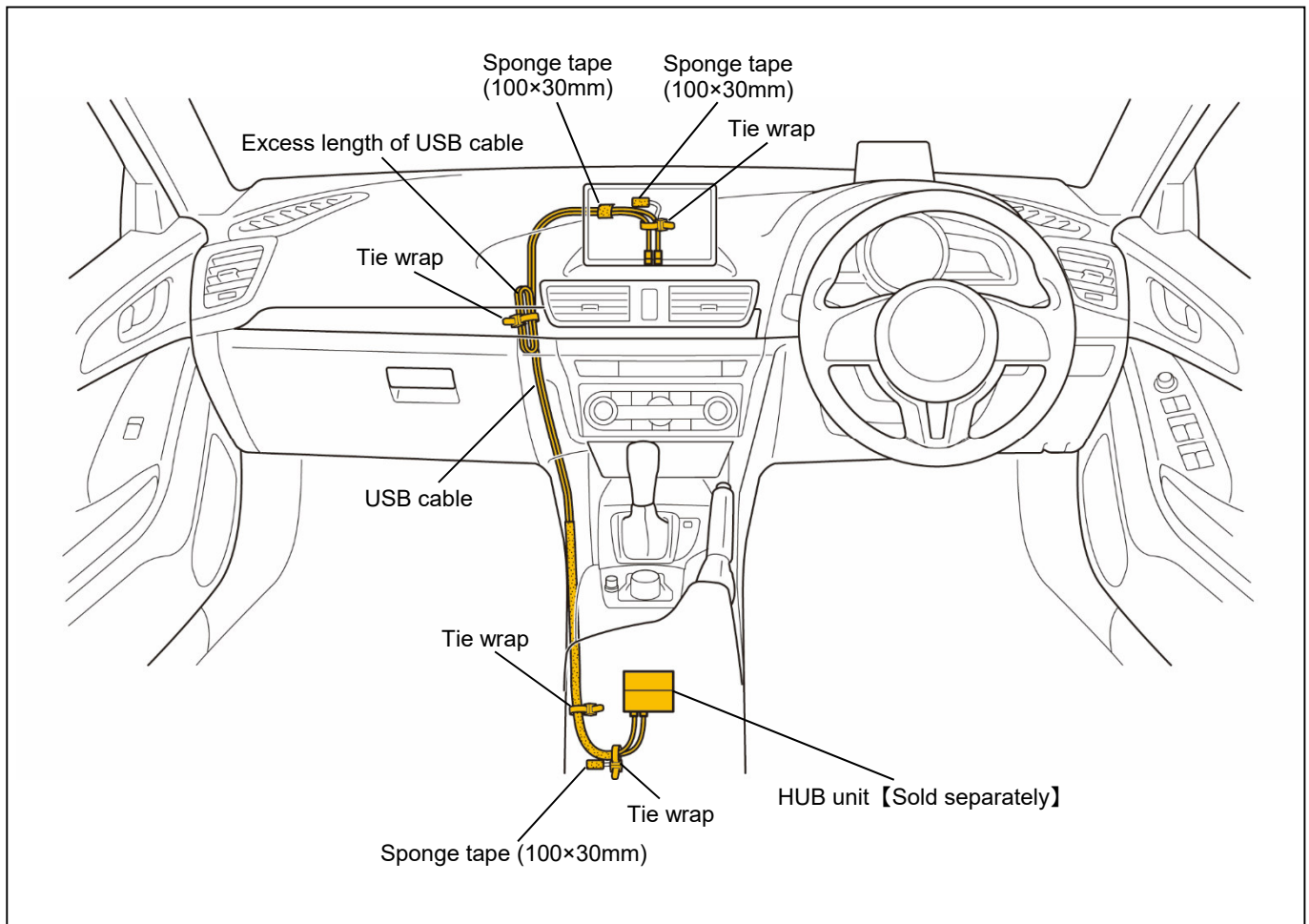
⚠ Be sure to carry out the following before starting work

If an older version of the CMU software is being used, the CarPlay/Android Auto-compatible USB hub may not be recognized.

If the software version is not v70.00.21 or later, be sure to update the software.

Once the CMU has been attached to the CarPlay/Android Auto-compatible USB hub, the software cannot be updated.

1. INSTALLATION VIEW



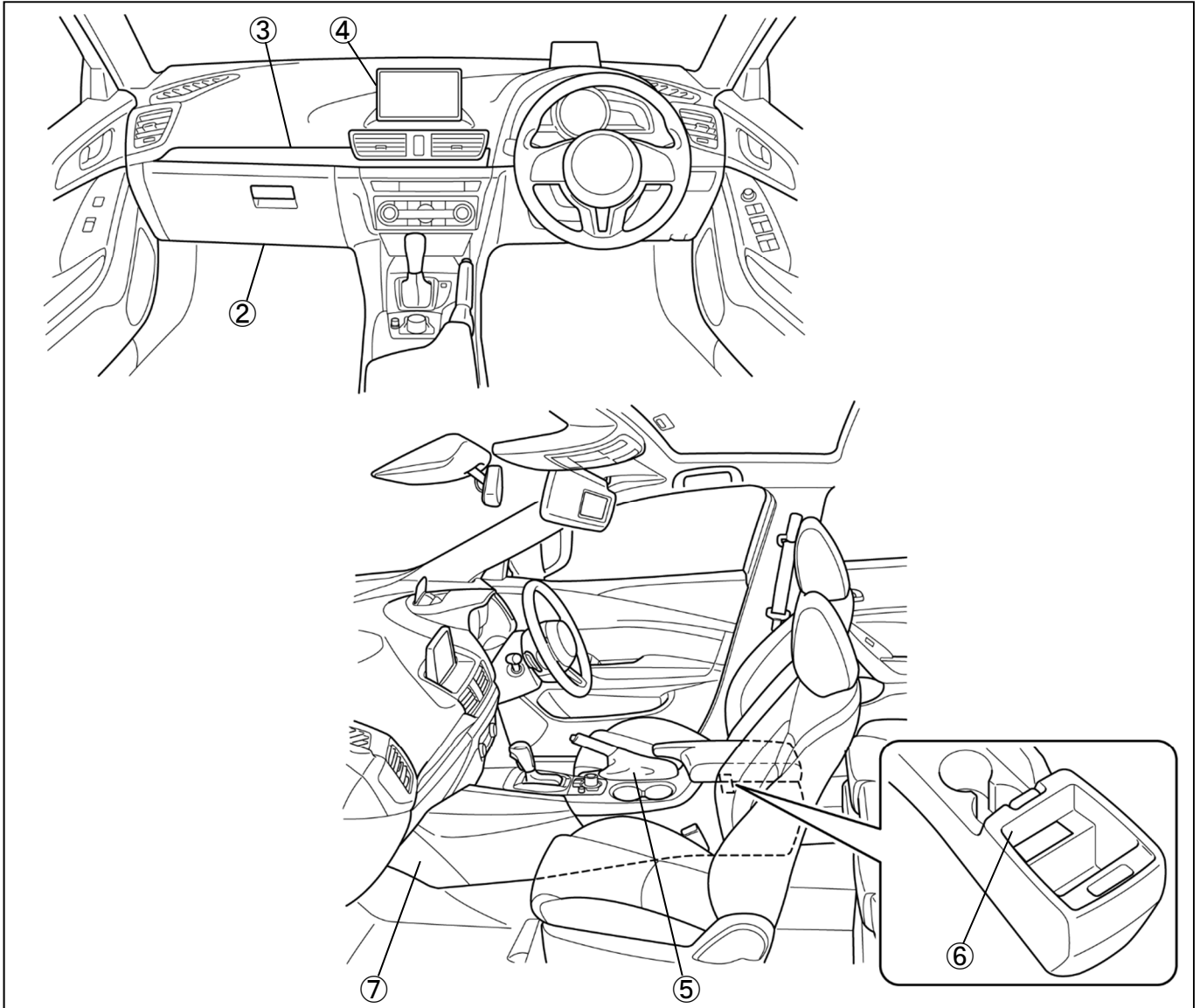
MAZDA3

2. VEHICLE PART REMOVAL

Remove the following vehicle parts.

⚠ CAUTION

- The removed vehicle parts will be reused. Be careful not to get injured and not to lose any of the vehicle parts.
- The parts and methods of removal and installation may vary depending on the vehicle model. Refer to the corresponding Workshop manual for the vehicle being worked on.
If the procedures in the Workshop manual are not followed, accidents may result. In addition, it may cause problems with vehicle operation.



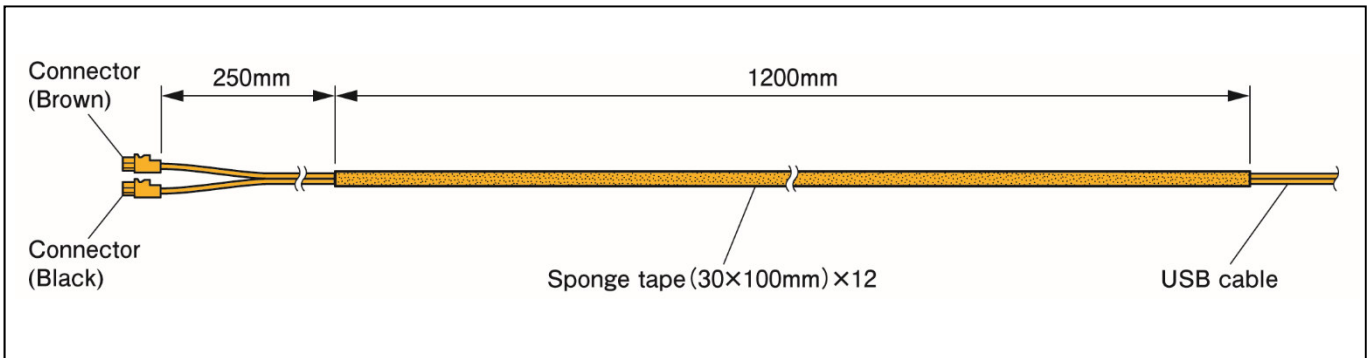
- ① Negative battery cable disconnection
- ② Glove compartment
- ③ Decoration panel
- ④ Center display
- ⑤ Upper panel
- ⑥ Console up
- ⑦ Passenger-side side wall

MAZDA3

3. BEFORE INSTALLATION

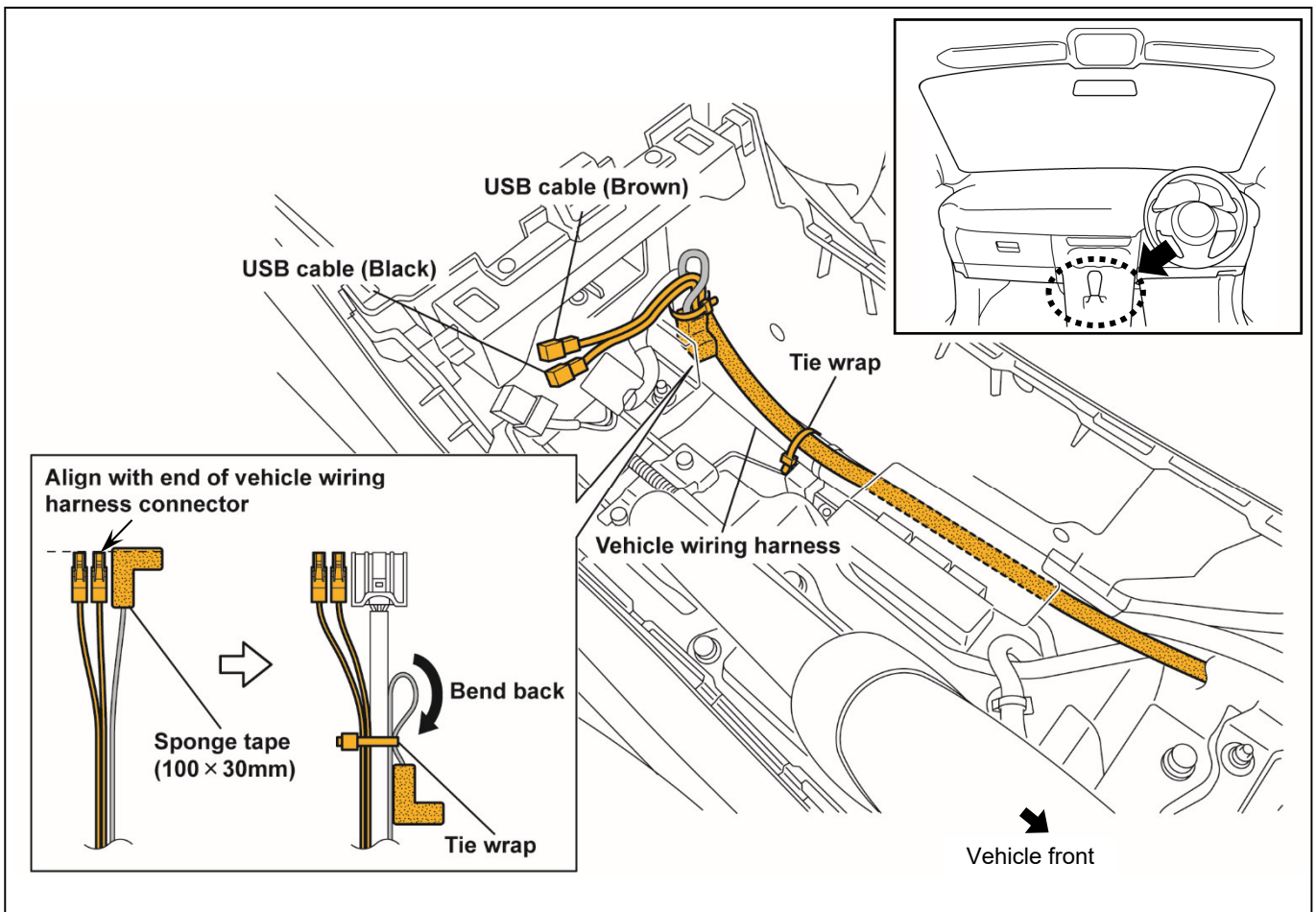
■ Winding sponge tape

1. Wind sponge tape (100 mm x 30 mm) around the USB cable.



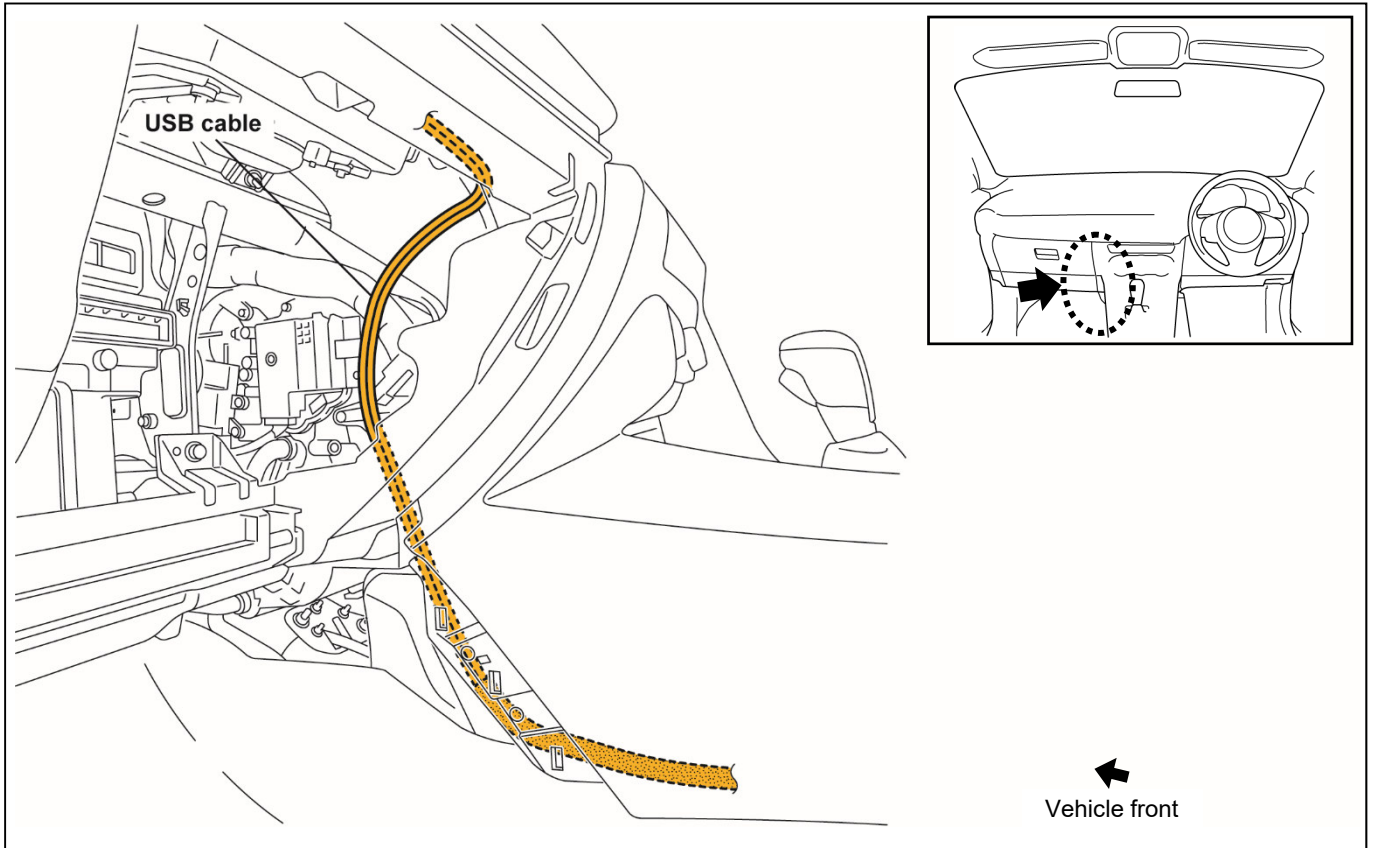
4. CABLE ROUTING

1. To prevent noise, wrap the disconnected vehicle wiring harness connector with a piece of sponge tape (100 x 30 mm).
2. Align the ends of the vehicle wiring harness connector and the USB cable connector.
3. Bend back the vehicle wiring harness connector, and then use a tie wrap to secure the vehicle wiring harness together with the USB cable.
4. Secure the USB cable to the vehicle wiring harness with a tie wrap.



MAZDA3

5. Route the USB cable to the underside of the center display.

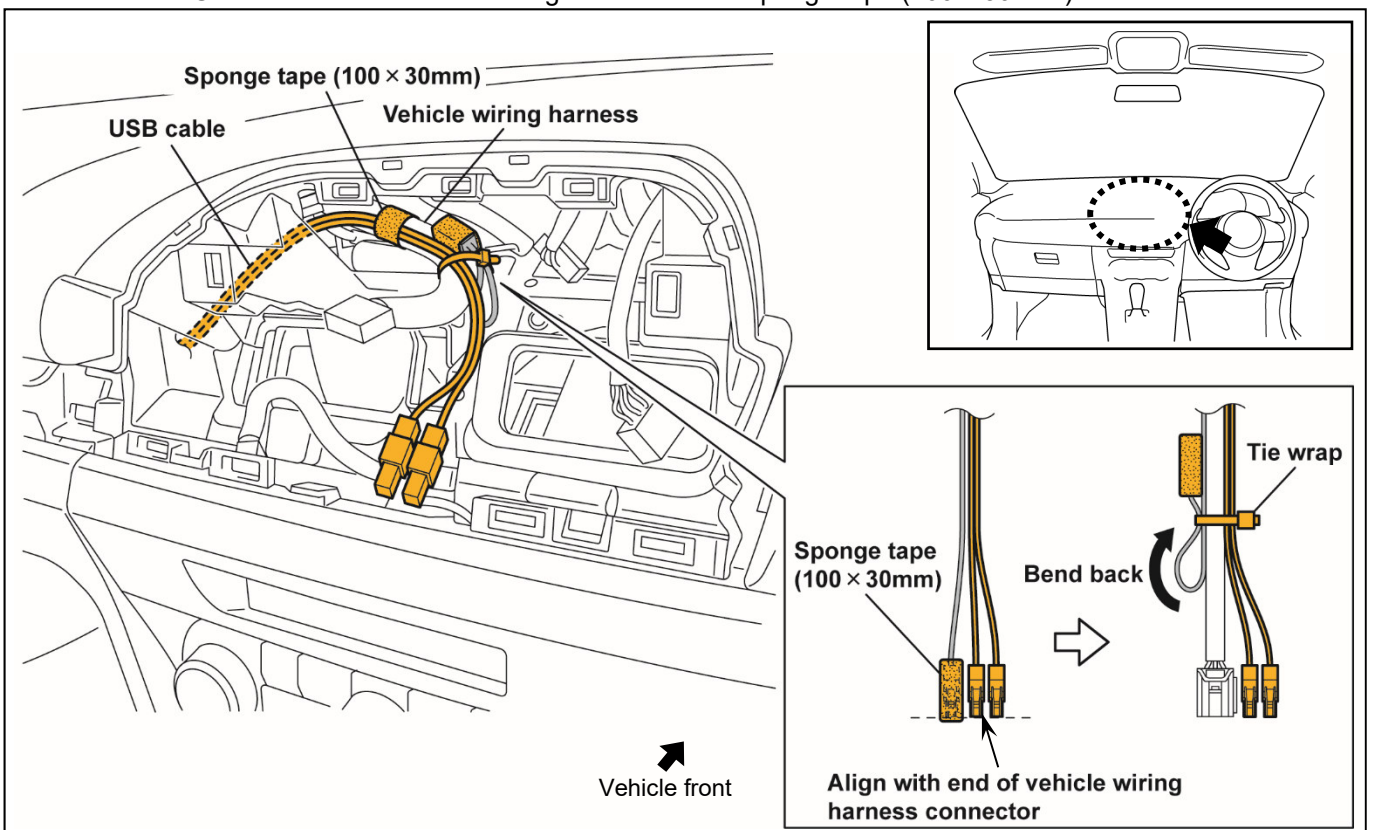


6. To prevent noise, wrap the disconnected vehicle wiring harness connector with a piece of sponge tape (100 x 30 mm).

7. Align the ends of the vehicle wiring harness connector and the USB cable connector.

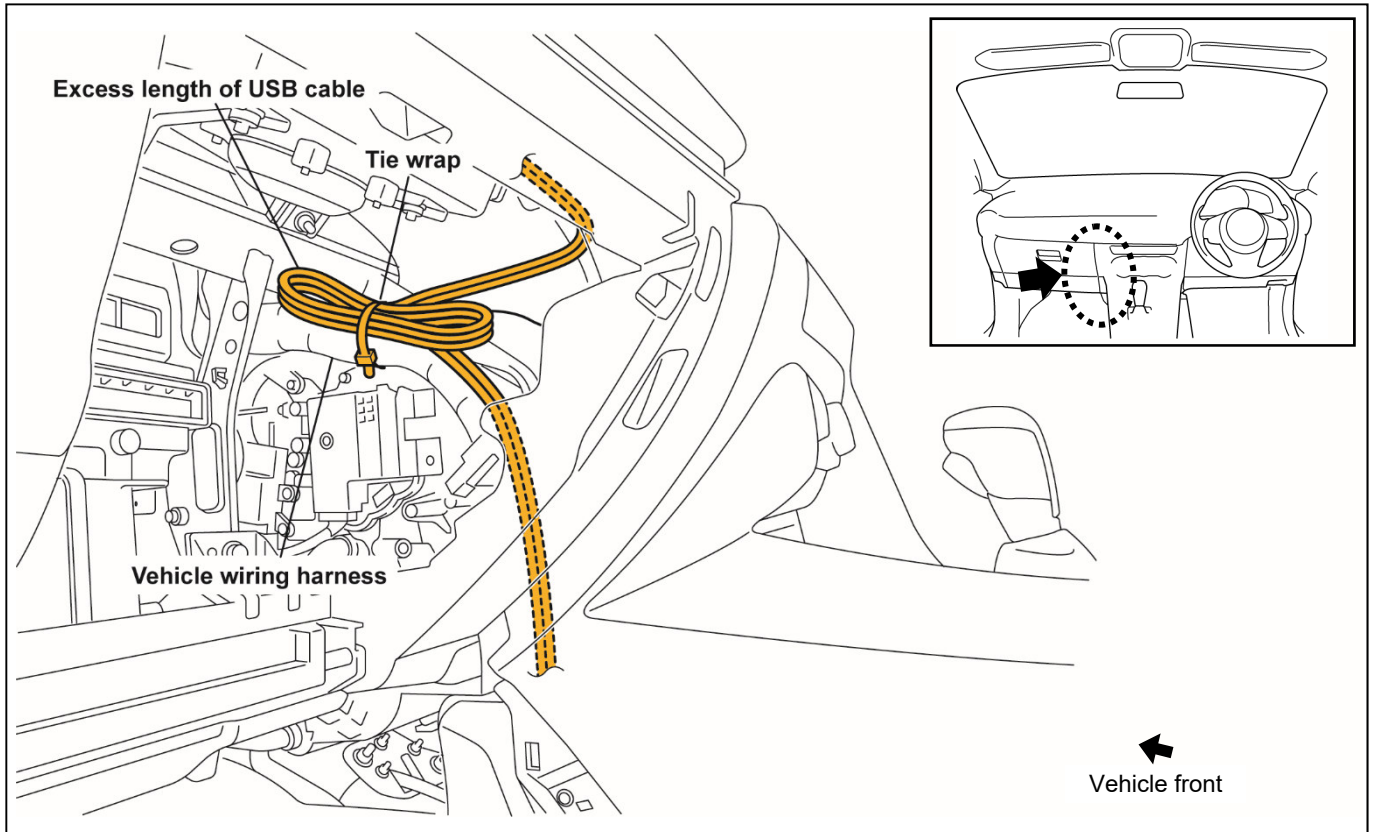
8. Bend back the vehicle wiring harness connector, and then use a tie wrap to secure the vehicle wiring harness together with the USB cable.

9. Secure the USB cable to the vehicle wiring harness with a sponge tape (100 x 30 mm).



MAZDA3

10. Bind the excess length of USB cable together and secure it to the vehicle wiring harness with a tie wrap.



5. CAUTIONS WHEN RE-INSTALLING

1. Reinstall parts in the reverse order of the installation procedure in "VEHICLE PARTS REMOVAL".
(Refer to "3. CONNECTION DIAGRAM" on P.4 for details on connecting the USB cable connector.)
2. Refer to "Required servicing after disconnecting/connecting negative battery cable" in the vehicle workshop manual or the owner's manual to restore the vehicle functions.
3. Perform reinstallation and inspection of the vehicle parts.
Refer to "5. OPERATION CHECK" on P5 to carry out an operation check.