

12V 2A

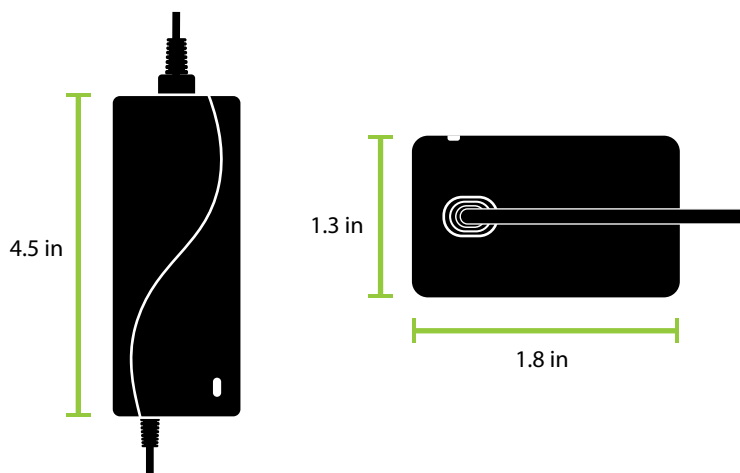
EPC122

Specifically Made for LiFePO4 Batteries

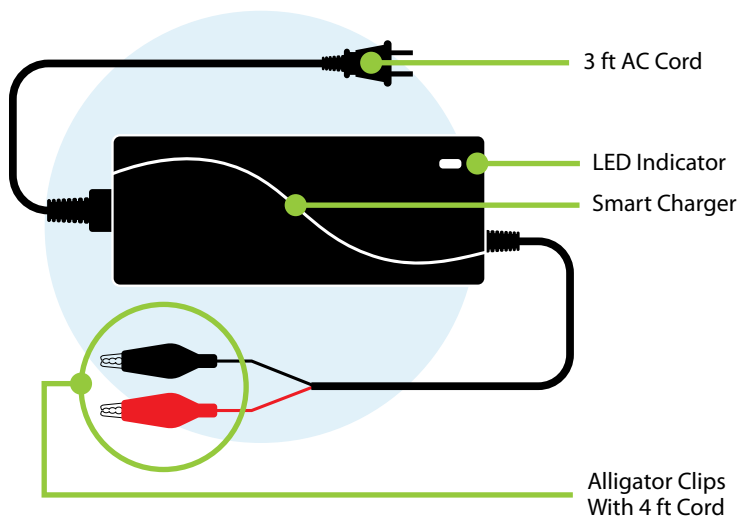
- Intelligently Programed
- Efficiently Easy
- BMS Compatible

Specifications

- **Dimensions:** 4.5 x 1.8 x 1.3 in
- **Weight:** 0.5 lbs



Smart Charger Components



Read all instructions before use. If charger is damaged or wet do not use it! Save these instructions for future reference.



RISK OF SHOCK

Be aware of metal objects and possible contact with skin when operating.



RISK OF EXPLOSION

Use product properly. Do not leave plugged in after charging is complete.



RISK OF FIRE

Insure flammable debris/materials are not near or obstructing components.

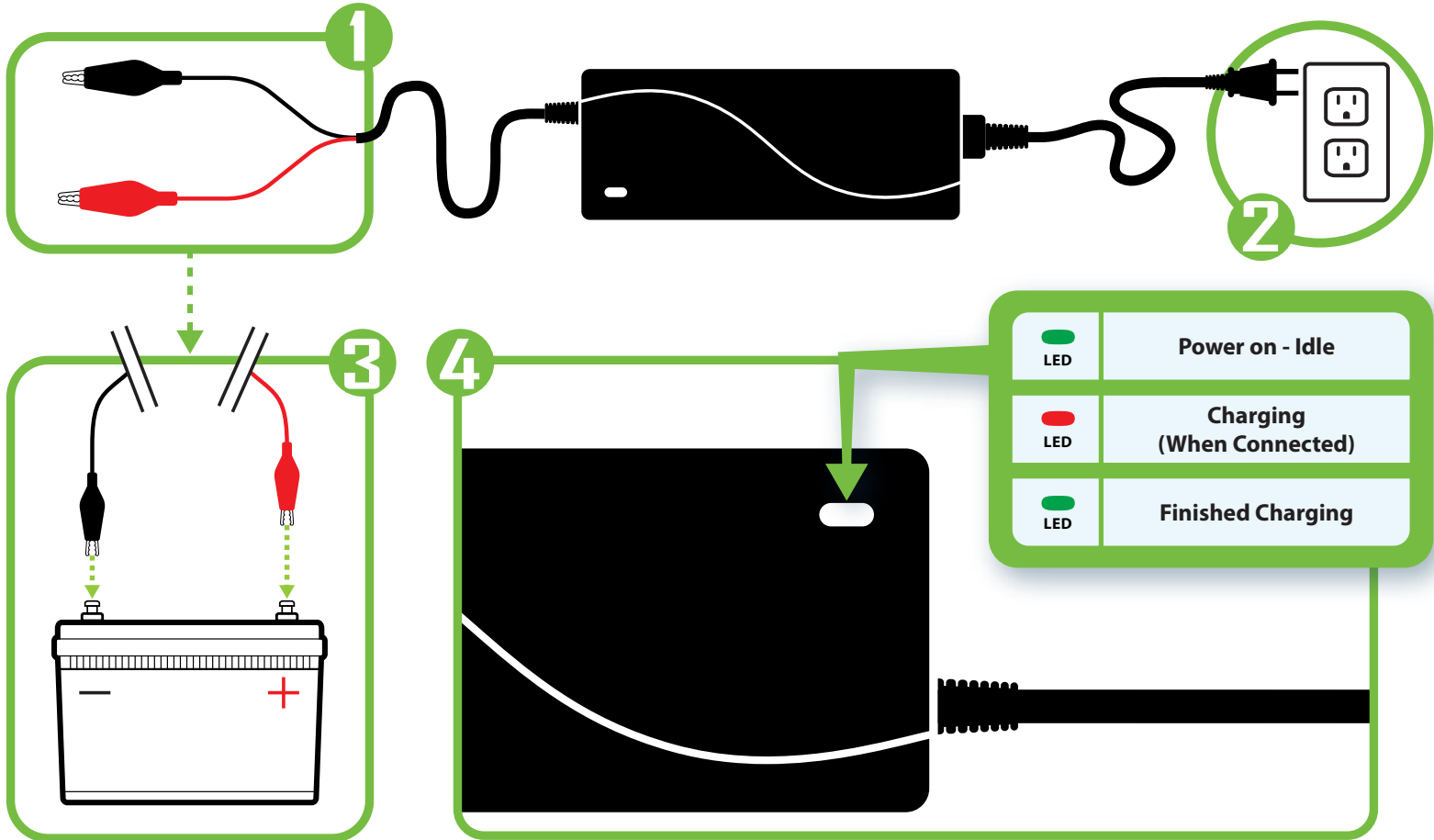
Warnings

- ▶ **Use with 12V LiFePO4 Rechargeable Battery pack only.**
- ▶ Use charger indoors only. Do not expose charger to rain, snow, or excessively damp/moist environments such as bathrooms, greenhouses, or saunas.
- ▶ Before use, check for and remove all debris (if present) from the alligator clips and battery terminals. Be sure that both charger and battery pack are free of damage.
- ▶ Do not open charger casing or operate it after tampering with it's internal components. Do not use charger if the wires are frayed or internal components are exposed.
- ▶ To reduce risk of malfunction, use of an attachment is not recommended. If you wish to use one; follow the instructions provided by the attachments' manufacturer.
- ▶ **Do not operate with an extension cord unless absolutely necessary.** To use one follow the directions below. Improper use can result in malfunction or property damage.
 - Make sure the pins on extension cord match the ones on the charger.
 - Make sure both wall socket and extension cord are not damaged.
 - Extension cord must be the same AC ampere rating of charger.
 - Plug extension cord directly into a working AC wall socket.
- ▶ If you suspect that the charger has been damaged due to water damage or being dropped do not operate! **NEVER charge a frozen or extremely hot battery.**
- ▶ Do not leave charger operating longer than it takes to charge desired battery pack. Never leave the charger plugged in after charging your battery pack.
- ▶ **To reduce the risk of damage** follow the charging conditions approved by your batteries' manufacturer. Doing so will keep your battery safe and extend it's life.

Recommended Precautions

- ▶ Keep out of reach of children. Battery and or Charger can become hot-to-the-touch.
- ▶ Remove metal objects such as rings before operating the charger.
- ▶ Operate on a flat heat resistant surface in a cool area with good ventilation.
- ▶ Contact our support team for any questions, operation safety, or more information. **Contact information on the other side.**
- ▶ **In the rare case of sever malfunction,** shut power off from breaker. If safe to approach use protective hand gear to prevent shock or burns. Otherwise, use fire extinguisher if possible or contact the appropriate local emergency services.

How To Connect And Operate your LiFePO4 Smart Charger



Operation Instructions

1 Before Starting

- ▶ Insure that the two alligator clips are separated, not touching each other, and that they are not touching any foreign metal objects or near flammable materials.

3 Connecting to Battery

- ▶ Make sure that you are charging the correct battery type for this charger.
- ▶ First, connect the **BLACK** Alligator Clip to the **Negative (-) Terminal**.
- ▶ Then, connect the **RED** Alligator Clip to the **Positive (+) Terminal**.
- ▶ **LED** will turn **RED** to indicate charging is starting.

2 Connecting to AC Power

- ▶ Once you've followed the precautions on step 1, plug the AC cord directly to your AC wall outlet. The **LED** will turn **Green** when connected to the outlet.
- ▶ **Please read Warnings and Safety on other side of this manual if you plan on using an extension cord.**

4 Charging The Battery

- ▶ The Smart Charger automatically implements the 0V reset if necessary and the special 2-stage constant current/constant voltage (CC/CV) charge algorithm.
- ▶ The LED indicator will track its progress. When **LED** turns **Green** your battery has finished charging.
- ▶ **DO NOT LEAVE UNATTENDED.** Disconnect charger from battery first then unplug from the wall outlet.

For Questions
And Support

Visit us at:
ExpertPower.us

(562) 630 - 3002
support@expertpower.us

6437 Alondra Blvd
Paramount, CA 90723