



### Overview

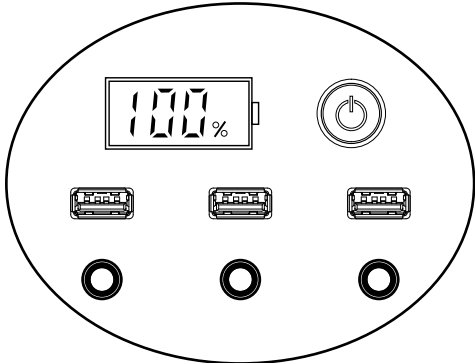
The S200 is a small rechargeable power station that is optimized for on-the-go indoor, outdoor, mobile, and emergency applications. The S200 Generator is also compatible with solar DC panels making it highly versatile in off-grid applications.

### Features

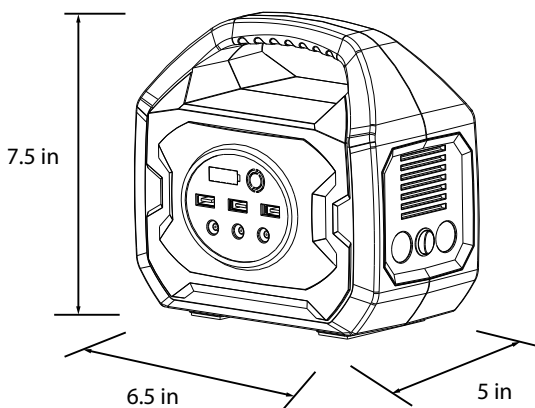
- Housing with integrated grip handle
- Automatic protection with on-board PWM Controller
- Very light weight
- 2 LED flash lights
- 2 AC Outputs, 3 USB Outputs, 1 DC Input, and 2 DC Outputs

### Power Station Specifications:

#### Terminal Interface:



#### Dimensions:



Visual Characteristics	
Product Color	Black + Yellow
LED Lighting	1W*2
Physical Characteristics	
Weight	4.41 Lbs
Dimensions LxWxH	7.5 x 5 x 6.7 in
Battery Type	Lithium-ion Battery (1000 Cycles @ 70%)
Electrical Characteristics	
AC Voltage	110V 60Hz
Output Waveform	Pure-Sine Wave
Output & Peak Power	200W – 400W
Battery Capacity	193Wh 10.8V 17.85Ah
Charging Time	5-6 Hours (Wall)
DC Output	USB5V 1 & 2A QC3.0/DC9-12.6V/8A (Max 15A)
Input Voltage	Wall: AC 15V/4A Solar: DC 18V/4A (Max)
BMS Protection	Short-Circuit, Overload, Low Temp, High Temp, Low-Voltage, and Over-Voltage
Operation Conditions	
Utilization Temp.	-20°C ~ 60°C
Operation Temp.	Discharge: -10°C to 65°C Charge: 0°C to 45°C