



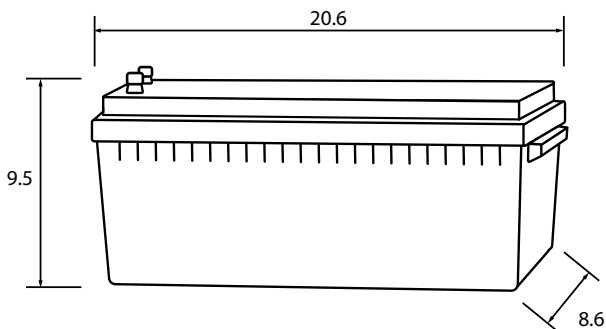
### Overview

The ExpertPower LiFePO4 12v200Ah rechargeable battery is optimized for low rate applications which require high energy density.

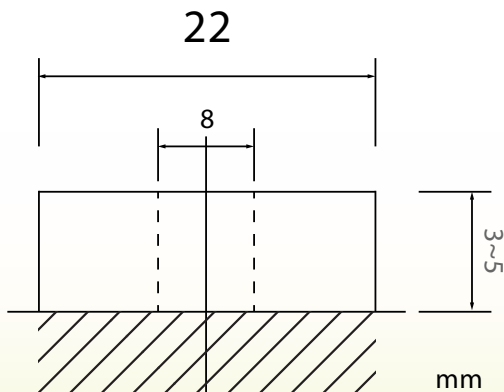
### Features

- High energy density
- Automatic protection with internal battery management system
- Low self-discharge rate
- Long cycle life
- Excellent performance in all operating temperatures

### Battery Dimensions:

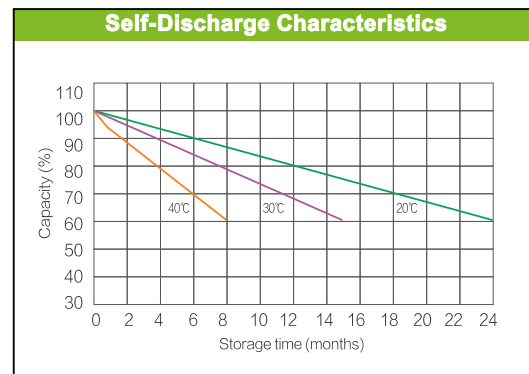
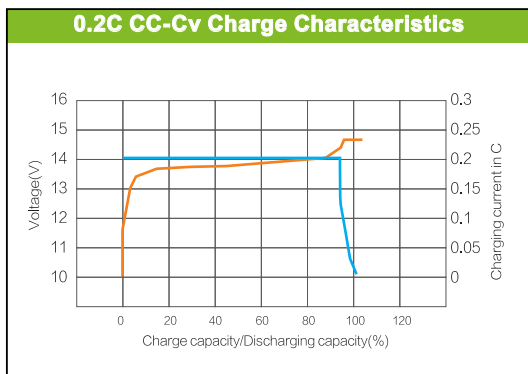
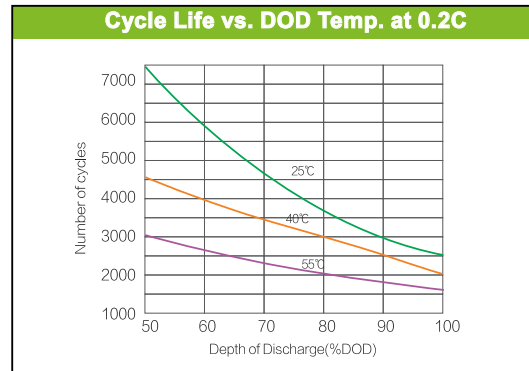
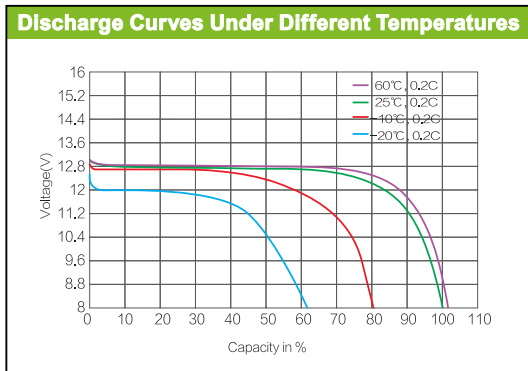


### Terminal Dimensions:



### Battery Specifications:

Nominal Characteristics	
Nominal Voltage /V	12.8V
Nominal Capacity /Ah (25°C , 0.2C)	≥ 200Ah
Mechanical Characteristics	
Weight	48.3 lbs
Dimensions L×W×H	20.6 x 9.5 x 8.6 in
BCI	4D
Terminal	M8
Electrical Characteristics	
Voltage Window	9.2 – 14.6V
Charge Voltage	14.4V
Standby Voltage	13.8V
Max. Continue Discharge Current	150A
Max. Permanent Discharge Current	200A 3Sec.
Max. Continue Charge Current	50A
Operation Conditions	
Cycle Life (+20°C 0.2C 100%DOD)	>2500 Cycles
Operating Temperature	Discharge: - 4 – 140°F Charge: 32 – 140°F
Storage Temperature	32 – 86°F
Storage Duration	12 Months at 77°F
Safety Standard	UI1642 at cell level



## BMS - Battery Management System:

Protection		Protection Condition		Recovery
Current	Charging	< 150A	Temperature Protection	a. Discharge > 1A or b. 45 ± 10S or c. Charge Current < 150A
		> 150 ± 3A	Delay 15 ± 2S	
		≥ 200 ± 3A	Delay 2 ± 1S	
	Discharging	< 150A	Temperature Protection	
		> 150 ± 3A	Delay 8 ± 1S	
		> 200 ± 3A	Delay 2 ± 5S	
Voltage	Charging	Battery	≥ 14.8V, Delay 1 ~ 2S	a. ≤ 13.6V or b. Discharge > 1A
		Single Cell	≥ 3.8V, Delay 1 ~ 2S	a. ≤ 3.4V or b. Discharge > 1A
	Discharging	Battery	≤ 10.8V, Delay 1 ~ 2S	a. ≥ 12.4V or b. Charge > 1A
		Single Cell	≤ 2.5V, Delay 1 ~ 2S	a. ≥ 3.1V or b. Charge > 1A
Temperature	Battery	# of Sesnsor(s)	Charging: ≥ 149°F or < 23°F	< 140°F and > 32°F
		1	Discharging: ≥ 149°F or < - 13°F	< 140°F and 5°F
	BMS	# of Sesnsor(s)	≥ 176°F	≤ 149°F
		1		
Cell Balance		Balancing Voltage		3.5 ± 0.05V
		Balancing Current		150 ± 20mA
Short Circuit Protection		Discharging Short Circuit		Disconnect Load