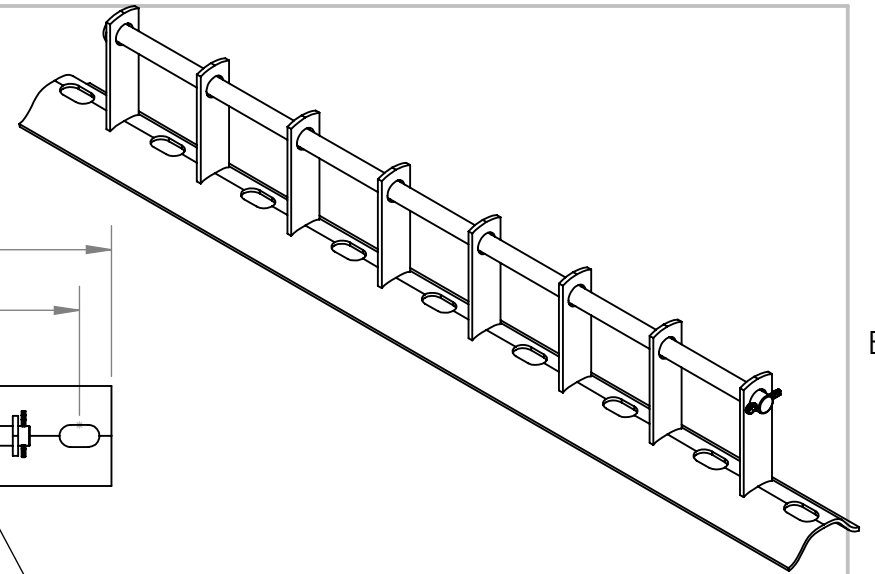
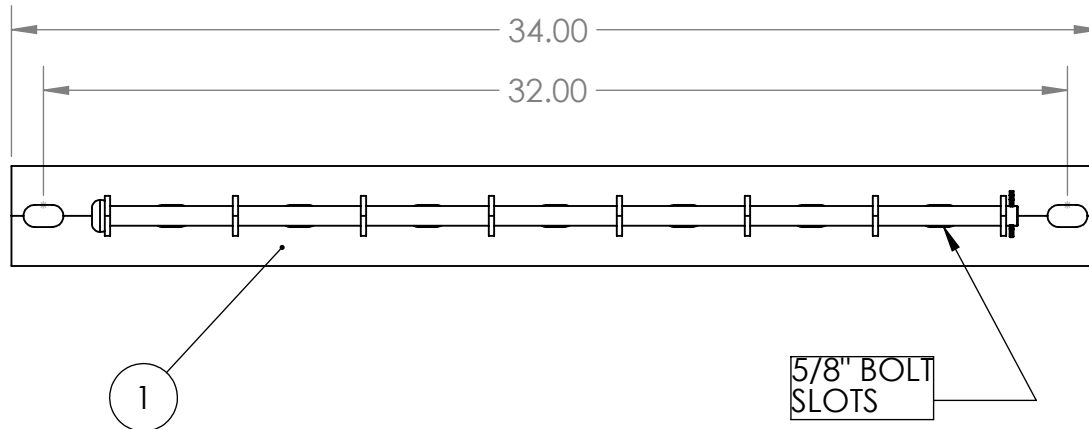
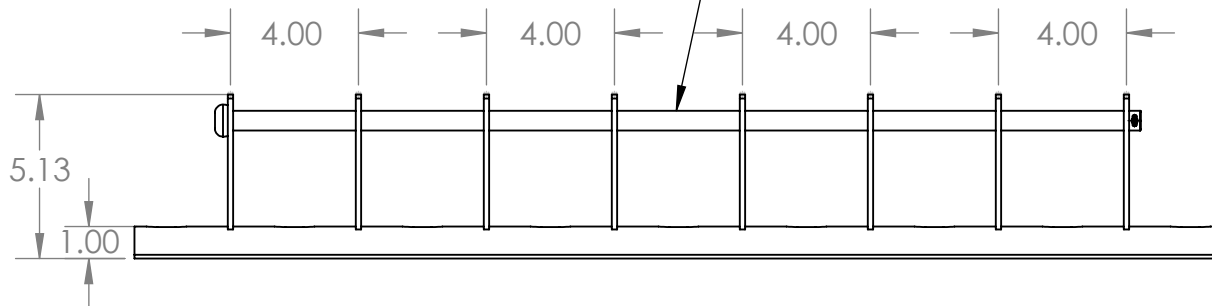


ITEM NO.	DESCRIPTION	QTY.
1	SECONDARY RACK BODY (GALVANIZED STEEL)	1
2	CLEVIS PIN (GALVANIZED STEEL)	1
3	SELF LOCKING COTTER PIN (STAINLESS STEEL)	1

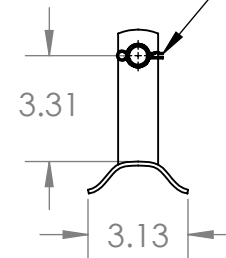


1

2



3



ALL COMPONENTS ARE HOT DIP GALVANIZED TO MEET ASTM SPECIFICATION A123



513-923-2712

www.meisterintl.com 1308 US ROUTE 50, SUITE 200, MILFORD, OH 45150

PROPRIETARY AND CONFIDENTIAL

THE INFORMATION CONTAINED IN THIS DRAWING IS THE SOLE PROPERTY OF MEISTER INTL. ANY REPRODUCTION IN PART OR AS A WHOLE WITHOUT THE WRITTEN PERMISSION OF MEISTER INTL. IS PROHIBITED.

REV. #:	REVISED BY:	DESCRIPTION:	
		4 INSULATOR, 34" SECONDARY RACK	
MATERIAL	FINISH	SIZE	PART NO.
		A	SR-34/SR-434
DO NOT SCALE DRAWING		SCALE: NTS	WEIGHT:
		SHEET 1 OF 1	