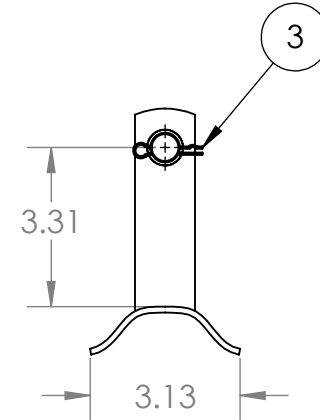
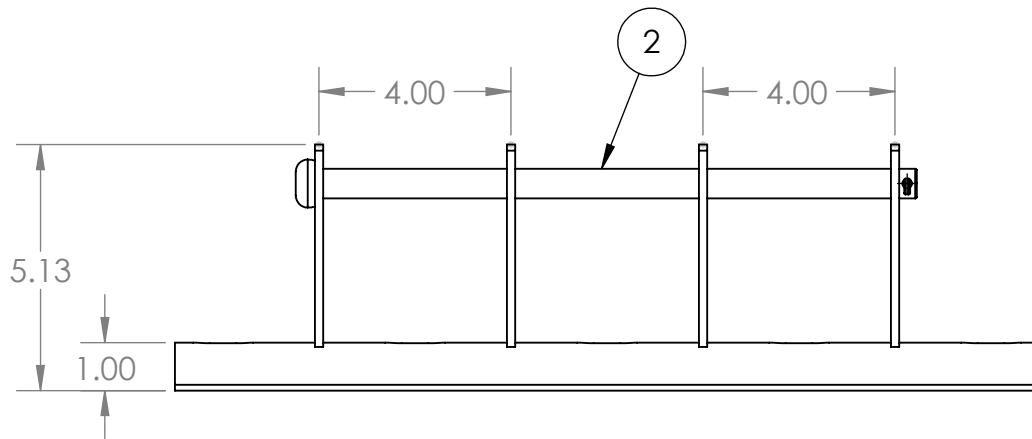
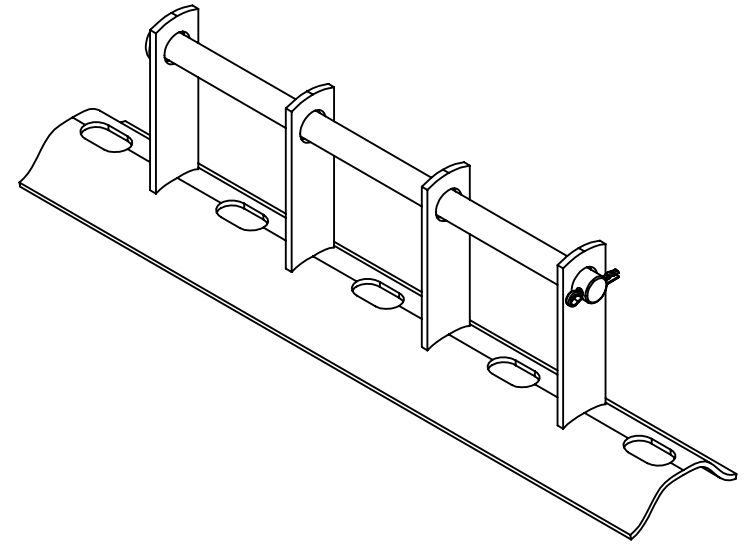
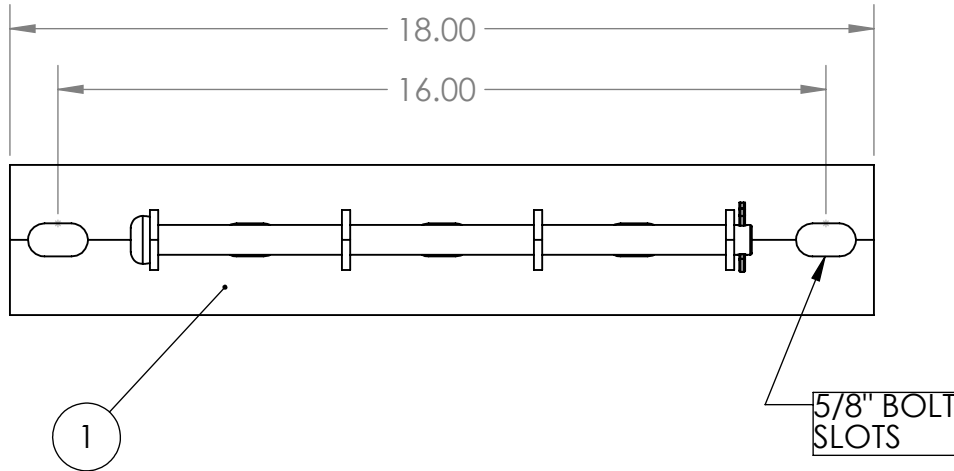


2

ITEM NO.	DESCRIPTION	QTY.
1	SECONDARY RACK BODY (GALVANIZED STEEL)	1
2	CLEVIS PIN (GALVANIZED STEEL)	1
3	SELF LOCKING COTTER PIN (STAINLESS STEEL)	1



ALL COMPONENTS ARE HOT DIP GALVANIZED TO MEET ASTM SPECIFICATION A123



513-923-2712

www.meisterintl.com 1308 US ROUTE 50, SUITE 200, MILFORD, OH 45150

PROPRIETARY AND CONFIDENTIAL

THE INFORMATION CONTAINED IN THIS DRAWING IS THE SOLE PROPERTY OF MEISTER INTL. ANY REPRODUCTION IN PART OR AS A WHOLE WITHOUT THE WRITTEN PERMISSION OF MEISTER INTL. IS PROHIBITED.

REV. #:	REVISED BY:	DESCRIPTION:
		2 INSULATOR, 18" SECONDARY RACK
MATERIAL	SIZE	PART NO.
FINISH	A	SR-18/SR-418
		Please Noe: SR-18 is Secondary Rack Only
DO NOT SCALE DRAWING	SCALE: NTS	WEIGHT:
		SHEET 1 OF 1

2

1