



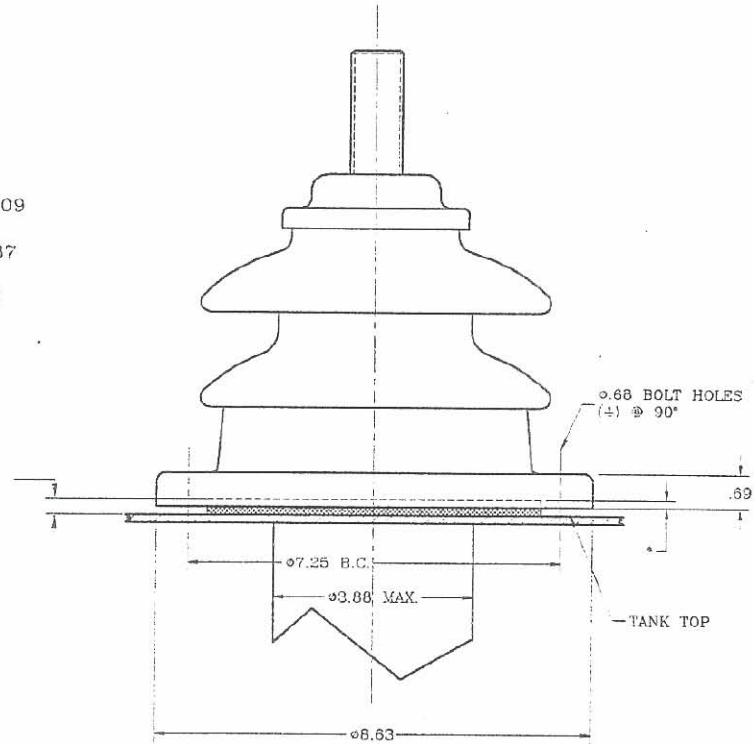
POWER BUSHING ASSEMBLIES 5kV THROUGH 46 kV CLASS

FLANGE DETAIL

*GASKET SEAT DEPTH:
STANDARD BUSHINGS:
5kV THROUGH 34.5kV - .09
DRAW-LEAD BUSHINGS:
5kV THROUGH 46kV - .187
SPECIAL GASKET SEAT
AVAILABLE UPON REQUEST

GASKET O.D. - 6.25

THICKNESS:
.25 BEFORE COMPRESSION
.17 TO .19 AFTER COMP.



2 PIECE EXTERNAL CLAMP DETAIL

