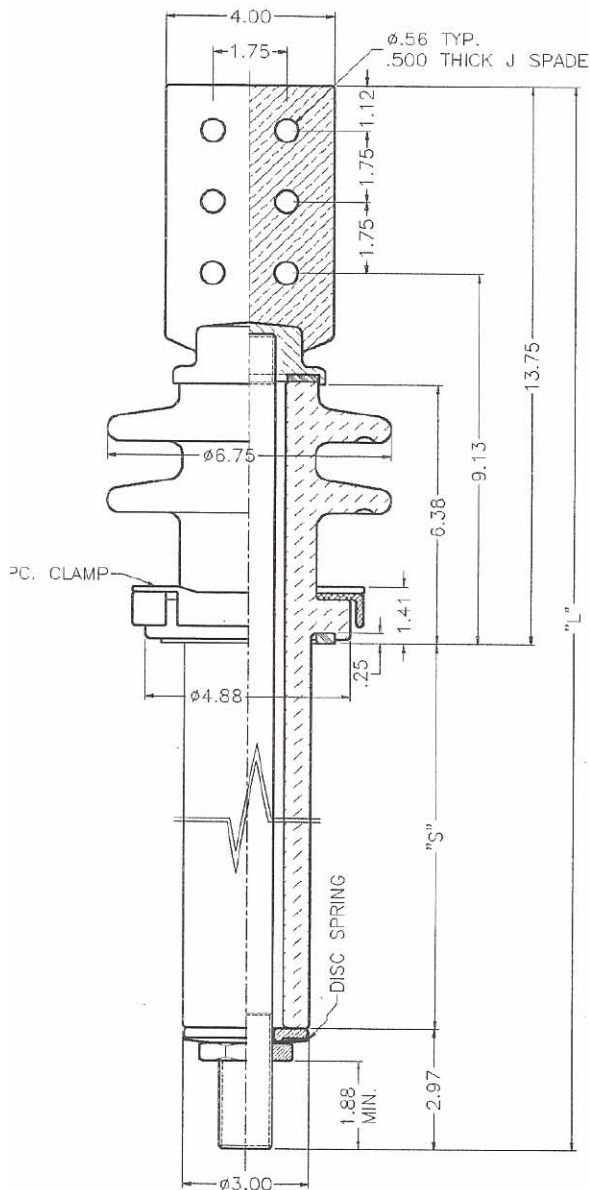


## POWER BUSHING ASSEMBLIES 8.7kV CLASS, 95kV BIL, 10.25" CREEP

These bushings are designed for transformer and special power apparatus applications. The electrical ratings given are based on use in a liquid filled transformer with the lower end of the bushing under oil. Porcelain is gray glazed all over and the top skirts are designed for outdoor application.

Spade casting is pure copper and tin-plated. 97% min. electrical conductivity guaranteed. Clamps and washers are non-magnetic. Constant gasket pressure to top terminal is maintained by disc springs to compensate for the thermal expansion and contraction of the copper stud. Nitrile (Buna-N) gasket is standard. For ordering assemblies with the cork-rubber composition gaskets, add the suffix "C" to the part number.

Bushings are designed for mounting in  $\phi 3.13$  (min.) hole.



STUD SIZE	PART NO.	"L"	"S"
.500-13 UNC-2A 208A	352500	23.63	6.91
	352502	30.63	13.91
	352503	37.63	20.91
	352504	40.63	23.91
.625-18 UNF-2A 417A	352505	23.63	6.91
	352507	30.63	13.91
	352508	37.63	20.91
.750-16 UNF-2A 600A	352509	40.63	23.91
	352510	23.63	6.91
	352512	30.63	13.91
1.000-14 UNS-2A 800A	352513	37.63	20.91
	352514	40.63	23.91
	352515	23.63	6.91
1.125-12 UNF-2A 1000A	352517	30.63	13.91
	352518	37.63	20.91
	352519	40.63	23.91
1.250-12 UNF-2A 1200A	352520	23.63	6.91
	352522	30.63	13.91
	352523	37.63	20.91
1.500-12 UNF-2A 1700 A	352524	40.63	23.91
	352525	23.63	6.91
	352527	30.63	13.91
1.625-12 UN-2A 2000A	352528	37.63	20.91
	352529	40.63	23.91
	352530	23.63	6.91
	352532	30.63	13.91
	352533	37.63	20.91
	352534	40.63	23.91
	352535	23.63	6.91
	352537	30.63	13.91
	352538	37.63	20.91
	352539	40.63	23.91

2 PIECE EXTERNAL CLAMP DETAIL ON PAGE NO. PB-6