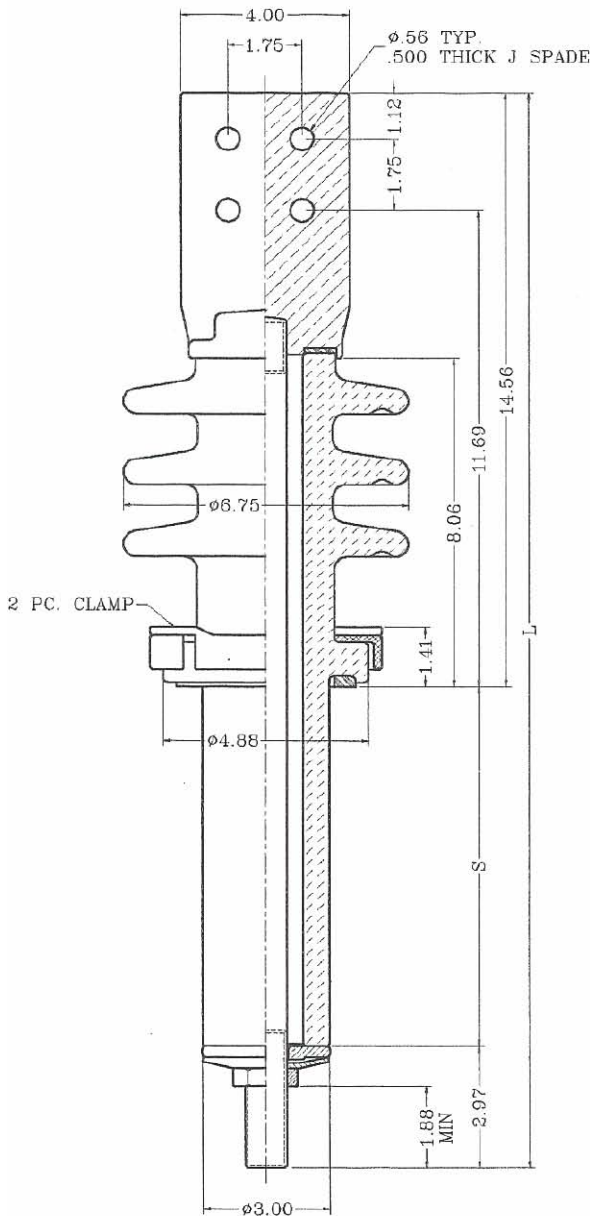


POWER BUSHING ASSEMBLIES 15kV CLASS, 110kV BIL, 15.00" CREEP

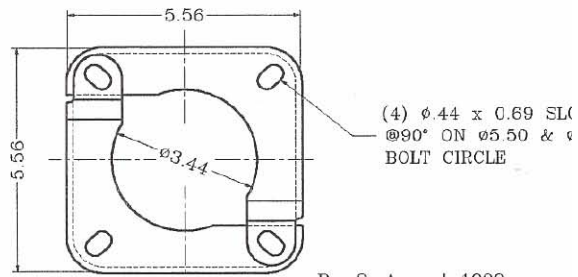
These bushings are designed for transformer and special power apparatus applications. **The electrical ratings given are based on use in a liquid filled transformer with the lower end of the bushing under oil.** Porcelain is gray glazed all over and the top skirt are designed for outdoor application.

Clamps and washers are non-magnetic. Constant gasket pressure to top terminal is maintained by disc springs to compensate for the thermal expansion and contraction of the copper stud. Nitrile (Buna-N) gasket is standard. For ordering assemblies with the cork-rubber composition gaskets, add the suffix "C" to the part number.

Bushings are designed for mounting in $\phi 3.13$ (min.) hole.



STUD SIZE	PART NO.	"L"	"S"
.500-13 UNC-2A 208A	353400	24.50	6.91
	353402	31.50	13.91
	353403	38.50	20.91
	353404	41.50	23.91
.625-18 UNF-2A 417A	353405	24.50	6.91
	353407	31.50	13.91
	353408	38.50	20.91
	353409	41.50	23.91
.750-16 UNF-2A 600A	353410	24.50	6.91
	353412	31.50	13.91
	353413	38.50	20.91
	353414	41.50	23.91
1.000-14 UNS-2A 800A	353415	24.50	6.91
	353417	31.50	13.91
	353418	38.50	20.91
	353419	41.50	23.91
1.125-12 UNF-2A 1000A	353420	24.50	6.91
	353422	31.50	13.91
	353423	38.50	20.91
	353424	41.50	23.91
1.250-12 UNF-2A 1200A	353425	24.50	6.91
	353427	31.50	13.91
	353428	38.50	20.91
	353429	41.50	23.91
1.500-12 UNF-2A 1700 A	353430	24.50	6.91
	353432	31.50	13.91
	353433	38.50	20.91
	353434	41.50	23.91
1.625-12 UN-2A 2000A	353435	24.50	6.91
	353437	31.50	13.91
	353438	38.50	20.91
	353439	41.50	23.91



Rev.2, August 1999

2 PIECE EXTERNAL CLAMP