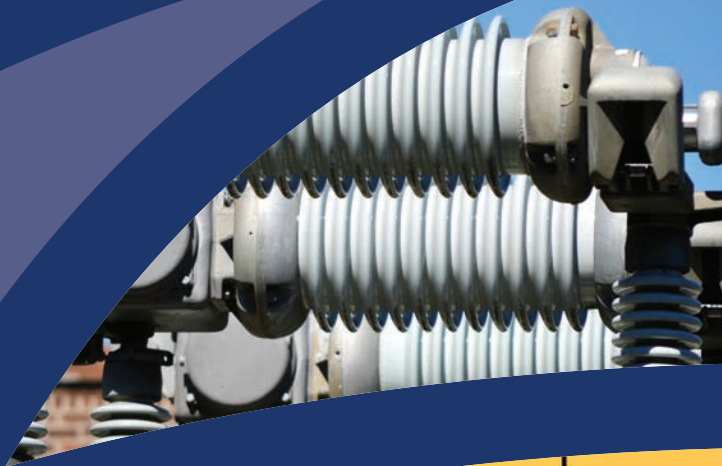


Insulators and Bushings
for the Harshest Environments
IN STOCK... for Immediate
Shipment



Meister International, LLC

*Supplying Industry and Utilities with Reliable Insulators,
Bushings and Pole-Line Hardware*

With over 20+ years in business, Meister International provides the highest quality porcelain insulators and porcelain bushings to OEM's around the world, as well as large utilities, distributors, repair shops, testing facilities and many others. With the largest inventory in the industry we have what you need, when you need it. Most orders ship within 24 hours. Custom porcelain insulators can also be made to your specifications.

A20 Porcelain Insulators:
(A20-2, A20-3, A20-4, and
A20-5 shown)



A20 Bus Insulators

Part No.	A20-1	A20-2	A20-3	A20-4	A20-5
Perimeter Bolt Holes	3/8-16	3/8-16	3/8-16	3/8-16	3/8-16
Center Bolt Hole	1/2-13	1/2-13	1/2-13	1/2-13	1/2-13
Height (Inches)	3.5	4.5	6	7.5	8.5
Diameter (Inches)	4.5	4.5	4.5	4.5	4.5
Bolt Circle (Inches)	2	2	2	2	2
Voltage Rating (kV)	4.8	7.2	13.2	14.4	18
Impulse Withstand (kV)	60	75	95	110	125
Low Freq. Dry Withstand (kV)	19	26	36	50	65
Centilever Strength (In. - lbs.)	1000	1500	1250	1000	1000
Torsion Strength (in. - lbs.)	2500	3500	3500	3500	3500
Tension Strength (lbs.)	2000	3000	3000	3000	3000
Compression Strength (lbs.)	20000	20000	20000	20000	20000

A30 Bus Insulators

Part No.	A30-1	A30-2	A30-3	A30-4	A30-5	A30-6
Perimeter Bolt Holes	1/2-13	1/2-13	1/2-13	1/2-13	1/2-13	1/2-13
Center Bolt Hole	3/4-10	3/4-10	3/4-10	3/4-10	3/4-10	3/4-10
Height (Inches)	3.5	4.5	6	7.5	10.5	15
Diameter (Inches)	6	6	6	6	6	6
Bolt Circle (Inches)	3	3	3	3	3	3
Voltage Rating (kV)	4.8	7.2	13.2	14.4	23	34.5
Impulse Withstand (kV)	60	75	95	110	150	200
Low Freq. Dry Withstand (kV)	19	26	36	50	60	80
Centilever Strength (In. - lbs.)	2000	3000	2500	2000	1500	1250
Torsion Strength (in. - lbs.)	4500	6000	6000	6000	6000	6000
Tension Strength (lbs.)	3500	5000	5000	5000	5000	5000
Compression Strength (lbs.)	30000	30000	30000	30000	30000	30000

Meister International maintains an extensive stock of industry standard porcelain A20 and A30 bus insulators to help customers avoid long lead times. Due to the high quality of porcelain A20 and A30 bus insulators, production time can be lengthy, but Meister International offers stocking agreements that enable your

production process to run without interruptions. Typically, porcelain A20 and A30 bus insulators can be shipped within 24 hours from receipt of order.



A30 Porcelain Insulators



Our extra high strength insulators are designed to hold up to extreme applications, with a cantilever rating of 3,100 pounds and a compression strength of 50,000 pounds the High Strength Insulators are ideal for Bus Duct and other applications where mechanical properties need to be higher than typical applications. Whether it is for field service or production Meister International has the expertise to get these to you quickly. At Meister International we always strive to maintain significant inventory on these, and all our products, to get you back on-line or keep your production moving.



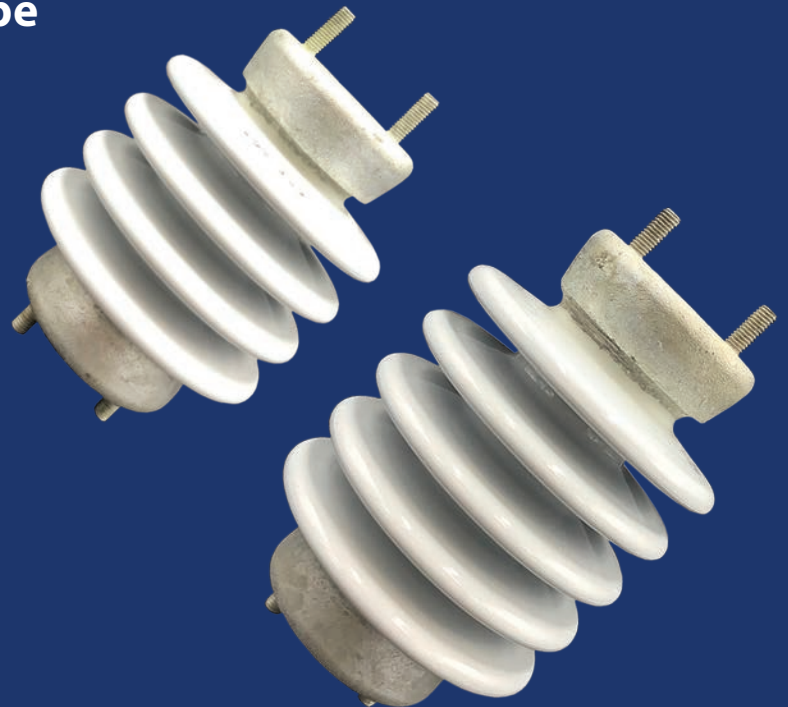
High Strength Insulators

Part No.	HSB-110	HSB-125	HSB-150
Perimeter Bolt Holes	(4) 1/2"-13		
Center Bolt Hole	(1) 3/4"-10		
Diameter (Inches)	7"		
Height (Inches)	7.375	8.375	10.375
Bolt Circle (Inches)	3"		
Voltage Rating (kv)	15	25	34
Impulse Withstand (kv)	110	125	150
Low Freq. Dry Withstand	50kV	60kV	80kV
Cantilever Strength (lbs.)	3,100		
Tension Strength (lbs.)	7,900		
Compression Strength (lbs.)	50,000		

Three sizes *IN STOCK*
to fit your application.

Switch Post Insulators-Stud Type

Part No.	Studs	Height	BIL
6038AX	90 DEGREE	6 3/4"	95
6037AX	IN LINE	6 3/4"	95
6036AX	90 DEGREE	8"	110
6035AX	IN LINE	8"	110
6034AX	90 DEGREE	10"	150
6033AX	IN LINE	10"	150



Six sizes *IN STOCK*
to fit your application.

Cycloaliphatic Bus Insulators

The cycloaliphatic epoxy insulators distributed by Meister International are used by switchgear manufacturers, packagers, and distributors. The design of the cycloaliphatic insulators offer high mechanical ratings, both cantilever and tensile strengths. Since cycloaliphatic insulators are made with castings, they offer dimensional control and are homogeneous throughout. Cycloaliphatic insulators also offer high resistance to erosion and tracking. Meister International helps customers avoid long lead times by stocking industry standard cycloaliphatic insulators. Stocking agreements are offered so that your production process can run without interruption.

Part No.	A20-1-IC A20--OC	A20-2-IC A2-2-OC	A20-3-IC A20-3-OC	A20-4-IC A20-4-OC	A20-5-IC A20-5-OC	A20-6-IC A20-6-OC
Perimeter Bolt Holes	3/8"-16	3/8"-16	3/8"-16	3/8"-16	3/8"-16	3/8"-16
Center Bolt Hole	1/2"-13	1/2"-13	1/2"-13	1/2"-13	1/2"-13	1/2"-13
Diameter (Inches)	4"	4"	4"	4"	4"	4"
Height (Inches)	3.5"	4.5"	6"	7.5"	8.75"	10.50"
Bolt Circle (Inches)	2"	2"	2"	2"	2"	2"
Voltage Rating (kv)	4.8	8.3	13.2	14.4	25	38
Impulse Withstand (kv)	60	75	95	110	125	150
Low Freq. Dry Withstand	19	26	36	50	60	80
Cantilever Strength (lbs.)	3000	2250	1750	1400	1200	100
Tension Strength (lbs.)	3000	3000	3000	3000	3000	3000
Compression Strength (lbs.)	40,000	40,000	40,000	40,000	40,000	40,000

We put our customers first and always work to exceed our customers' expectations.



Part No.	A20-7-IC A20-7-OC	A20-8-IC A20-8-OC	A20-9-IC A20-9-OC	1524	A30-3-OC
Perimeter Bolt Holes	3/8"-16	3/8"-16	3/8"-16	3/8"-16*	1/2"-13
Center Bolt Hole	1/2"-13	1/2"-13	1/2"-13	5/8"-11**	3/4"-10
Diameter (Inches)	4"	4"	4"	3.875"***	5"
Height (Inches)	11.00"	12.75"	14.00"	6"	6"
Bolt Circle (Inches)	2"	2"	2"	2"	3"
Voltage Rating (kv)	38	38	48	13.2	13.2
Impulse Withstand (kv)	150	170	200	95	95
Low Freq. Dry Withstand	80	80	100	35	36
Cantilever Strength (lbs.)	950	850	750	1750	2500
Tension Strength (lbs.)	3000	3000	3000	3000	5000
Compression Strength (lbs.)	40,000	40,000	40,000	40,000	40,000

*1524 has 2 perimeter bolt holes top and 4 perimeter bolt holes on bottom

**1524 has no center hole on base

***1524 has 3.875" base diameter and 3.25" diameter at top

Porcelain Standoff Insulators

These Porcelain Standoff Insulators are made from the highest quality wet process electrical porcelain. The inserts are brass and are held in place with portland cement. All insulators are tested electrically after assembly.



Porcelain Standoff Insulators for OEM & Utility Applications

Meister Intl Part Number	Dimensions (Inches)		Insert Thread Each End	Minimum Creep (Inches)	Strike (Inches)	Voltage (kV) Rating	BIL kV	STRENGTH RATING IN LBS.		
	Diameter	Height						Cantilever 5/8" above top	Tension	Compression
70100	2	2 1/2	3/8" - 16	3	2 1/2	2.5	45	550	1375	6500
70105	2	3 1/2	3/8" - 16	4 1/2	3 1/2	5	75	350	1400	6500
70110	2	5 1/8	3/8" - 16	7	5 1/8	8.7	95	225	1600	6500
70115	2 1/2	2 9/16	3/8" - 16	3 1/2	2 9/16	2.5	60	525	1900	8000
70125	2 1/2	3	3/8" - 16	4 1/2	3	5	60	425	1775	8000
70130	2 1/2	4	3/8" - 16	7	4	8.7	75	425	1775	8000
70135	2 1/2	5	3/8" - 16	7 1/2	5	8.7	95	300	1700	8000
70140	2 1/2	6	3/8" - 16	10 1/2	6	15	110	225	1850	8000
70150	3 1/8	2 5/8	1/2" - 13	4	2 5/8	5	60	525	1800	10000
70155	3 1/8	3 3/8	3/8" - 16	5	3 3/8	5	60	515	1925	10000
70160	3 1/8	3 3/8	1/2" - 13	5	3 3/8	5	60	515	1925	10000
70165	3 1/8	4	1/2" - 13	6	4	7.5	75	510	2000	10000
70169	3 1/8	5	3/8" - 16	7 1/4	5	8.7	95	275	1725	10000
70170	3 1/8	5	1/2" - 13	7 1/4	5	8.7	95	275	1725	10000
70174	3 1/8	6	3/8" - 16	10 5/8	6	15	110	260	1600	8000
70175	3 1/8	6	3/8" - 16	10 5/8	6	15	110	260	1600	8700
70176	3 1/8	6	1/2" - 13	10 5/8	6	15	110	260	1600	8000
70190	3 1/2	3 1/2	1/2" - 13	6 1/4	3 1/2	7.5	75	700	2400	12000
70195	3 1/2	4 1/2	1/2" - 13	6 1/2	4 1/2	8.7	95	400	1725	12000
70200	3 1/2	3 1/4	1/2" - 13	4	3 1/4	5	60	800	2750	15000
70205	4	3 15/16	1/2" - 13	7 5/8	3 15/16	8.7	75	750	2350	20000
70210	4	4 5/8	1/2" - 13	9 1/4	4 5/8	8.7	95	575	1900	20000
70214	4	6	3/8" - 16	12 3/8	6	15	110	375	2000	20000
70215	4	6	1/2" - 13	12 3/8	6	15	110	375	2000	20000

Porcelain Station Post Insulators

Meister International offers several sizes of Station Post Insulators, ranging from 7.5kv to 1100kv. Many sizes in stock for immediate shipment. Listed below are the most commonly requested station post insulators used in both Utility and Industrial Substations. Station Posts are tested to the requirements of ANSI C29.9.

7.5kV to 69kV Station Post Insulators

Standard Strength (3 inch bolt circle)

TR#	Voltage (kV)	BIL (kV)	Height (In.)	Cantilever (lbs.)
TR202	7.5	95	7.5	2000
TR205	15	110	10	2000
TR208	23	150	14	2000
TR210	34.5	200	18	2000
TR214	46	250	22	2000
TR216	69	350	30	1500

High Strength (3 inch bolt circle)

TR#	Voltage (kV)	BIL (kV)	Height (In.)	Cantilever (lbs.)
TR222	7.5	95	10	4000
TR225	15	110	12	4000
TR227	23	150	15	4000
TR231	34.5	200	20	4000
TR267	46	250	24	4000
TR278	69	350	30	3000

115kV to 230kV Station Post Insulators

Standard Strength (5 inch bolt circle)

TR#	Voltage (kV)	BIL (kV)	Height (In.)	Cantilever (lbs.)
TR286	115	550	45	1700
TR288	138	650	54	1450
TR291	161	750	62	1200
TR304	230	900	80	950
TR312	230	1050	92	800
TR216	69	350	30	1500

High Strength (5 inch bolt circle)

TR#	Voltage (kV)	BIL (kV)	Height (In.)	Cantilever (lbs.)
TR287	115	550	45	2600
TR289	138	650	54	2200
TR295	161	750	62	1850
TR308	230	900	80	1450
TR316	230	1050	92	1250
TR216	69	350	30	1500

Extra High Strength Station Posts

Bolt Circle Varies Depending on Size

TR#	Voltage (kV)	BIL (kV)	Height (In.)	Cantilever (lbs.)
95EHS	7.5	95	10	8,000
110EHS	15	110	12	8,000
150EHS	23	150	15	8,000
200EHS	34.5	200	20	8,000
250EHS	46	250	25	8,000
350EHS	69	350	32	6,000
550EU	115	550	45	5,000
650EU	138	650	54	4,100
900EU	230	900	80	2,750

345kV to 500kV Station Post Insulators

TR#	Voltage (kV)	BIL (kV)	Height (In.)	Cantilever (lbs.)	Top BHC (In.)	Bottom BHC (In.)
TR324	345	1300	106	1000	5	5
TR367	345	1300	106	1450	5	7
TR368	345	1300	106	2000	7	7
TR369	345	1300	106	2050	5	7
TR330	345	1470	122	900	5	5
TR371	345	1470	122	1170	5	7
TR372	345	1470	122	1750	7	7
TR373	345	1470	122	1750	5	7
TR379	500	1550	128	1700	5	7
TR391	500	1800	152	1400	5	7



Polyester Standoff Insulators

Meister International offers high quality polyester UL recognized Standoff Insulators, panelboard and switchboard accessories. Our molded insulators have closer height tolerances and higher shatter resistance when compared to ceramic insulators. These standoff insulators are molded from UL recognized flame resistant fiberglass-reinforced thermoset polyester molding compound. Molded insulators have a higher heat resistance and a higher moisture resistance when compared to the regular plastic insulators. Included in our product line: Panel and Switchboard Insulators, Center-Post Insulators, Apparatus Standoff Insulators, A Frame Insulators, and 5kV Standoff Insulators. These insulators are intended for indoor use or inside a suitable enclosure.

The Meister International insulator families are UL recognized panelboard and switchboard accessories. Standoff Insulators from Meister International are molded from UL - recognized flame resistant fiberglass-reinforced thermoset polyester molding compound.



Product No.	Height	Thread Size	Voltage	Glastic	Mar-bal	Penn
MI-2165-1A	1"	1/4-20x5/16 deep	600	2165-1A	1100-A1	AR 5612-20A
MI-01603-2A	1.375"	3/8-16x3/8 deep	600	1603-2A	2137-A4	NT 3061-16A
MI-3061-1B	1.5"	1/4-20X1/4 deep	1,500			AR-3061-20B
MI-3061-2B	1.5"	5/16-18x9/16 deep	1,500		R4150-A3/S3	AR-3061-18B
MI-3061-3B	1.5"	3/8-16x5/16 deep	1,500		R4150-A4/S4	AR-3061-16B
MI-2015-1A	1.5"	1/4-20x1/2 deep	1,500	2015-1A	4150-A2/S2	AR 3061-20B
MI-2015-2A	1.5"	5-16-18x7/16 deep	1,500	2015-2A	4150-A3/S3	AR 3061-16B
MI-2015-3A	1.5"	3/8-16x3/8 deep	1,500	2015-3A	4150-A4/S4	
MI-2015-2C	2"	5/16-18x7/16 deep	2,300	2015-2C	4200-A3/S3	AR 3061-16D
MI-2015-4C	2"	1/2-13x5/8 deep	2,300	2015-4C	4200-A6/S6	
MI-2015-30	2.25"	3/8-16x9/16 deep	2,700	2015-3D	4225-A5/S5	AR 3061-16E
MI-1872-1C	3"	3/8-16x9/16 deep	4,100	1872-1C	5300-A5/S5	AR 2781-16C
MI-1872-2C	3"	1/2-13x5/8 deep	4,100	1872-2C	5300-A6/S6	AR 2781-13C
MI-1872-1E	3.5"	3/8-16x9/16 deep	5,000	1872-1E	5350-A5/S5	AR 2781-16E
MI-1872-2E	3.5"	1/2-13x5/8 deep	5,000	1872-2E	5350-A6/S6	AR 2781-13E
MI-1872-3E	3.5"	5/8-11x11/16 deep	5,000	1872-3E		
MI-4610-15	3.5"	3/8-16x9/16 dep 2" Bolt Circle 4x2	5,000	4610-15	6350-S10	NT 5404-16A
MI-4610-81	3.5"	3/8-16x9/16 deep 2" Bolt Circle 4x4	5,000	4610-81	6350-S10	
MI-4640-81	6"	3/8-16x9/16 deep 2" BoltCircle 4x4	15,000	4640-81	6600-S10	NT 5420-16A
MI-4640-15	6"	3/8-16x9/16 deep 2" Bolt Circle 4x2	15,000	4640-15	6600-S10 4x2	

DETAILS ON ALL OF THE POLYESTER INSULATORS OFFERED CAN BE FOUND ON OUR WEBSITE, MEISTERINTL.COM

Porcelain Switchgear & Transformer Bushings

Realizing the importance of a reliable supplier of transformer bushings, Meister International, LLC offers a complete line of porcelain bushing assemblies for transformer, switchgear, capacitor (2-flute to 14-flute) and special power apparatus applications. Stocking agreements for transformer bushings and high voltage bushings are available to lower your on-hand inventory, guarantee supply chain continuity and shorten lead times of transformer bushing assemblies. Use Meister International for all of your transformer, high voltage, and porcelain bushing needs.



34.5kv, 200kv BIL, 1200 Amp, air-air switchgear bushing.

Below is a list of downloadable data sheets on our website, www.meisterintl.com for the porcelain bushings we offer.

Low Voltage Bushing Assemblies

Low Voltage, High Current Porcelain Bushing Assemblies

Porcelain Bushing Assemblies For Distribution Transformer

Porcelain Power Bushing Assemblies

Porcelain Switchgear Feed-Through Bushings



Porcelain bushings are critical components for the reliable delivery of electrical power, from the utility power plants, through the transmission and distribution networks, across the substations and equipment that allow switching of electricity, and ultimately delivered to a myriad of businesses.

Meister International offers a wide range of porcelain electrical bushings from 1.2kv up to 46kv. Standard current ratings are available up to 4000 amps. Custom bushings are available up to 8000 amps.



These switchgear and transformer bushings are available for both vertical and horizontal mounting. These porcelain bushings are available with the following connections:

Threaded studs

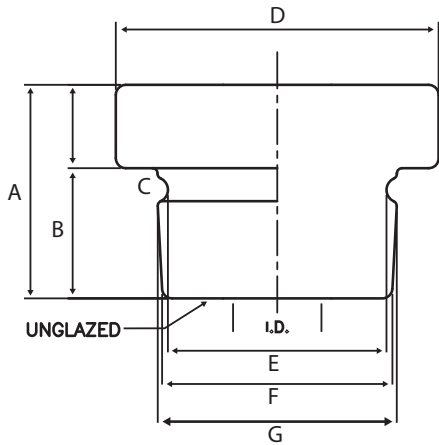
2-hole NEMA spade connectors

4-hole NEMA spade connectors

6-hole NEMA spade connectors

Porcelain Cable Bushings

Meister International, a member of the National Association of Electrical Distributors, distributes porcelain cable bushings used by the switchgear industry. Our porcelain cable bushings are in stock in various sizes to support different sizes of bus bar. These porcelain cable bushings have a gray glazed finish and are in stock for immediate shipment.



Part No.	Tiffin/PPCPart#	I.D.	A	B	C	D	E	F	G
CB811	713031	0.088	2.56	1.56	0.26*	3.87	2.62**	2.75	2.87
CB812	713033	1.13	2.56	1.56	0.26*	3.87	2.62**	2.75	2.87
CB813	713034	1.25	2.56	1.56	0.26*	3.87	2.62**	2.75	2.87
CB814	713035	1.38	2.56	1.56	0.26*	3.87	2.62**	2.75	2.87
CB815	713036	1.5	2.56	1.56	0.26*	3.87	2.62**	2.75	2.87
CB816	713038	1.75	2.56	1.56	0.26*	3.87	2.62**	2.75	2.87

NOTE: ALL DIMENSIONS ARE GIVEN IN INCHES
 * - DENOTES +/- .03"
 ** - DENOTES +/- .07"
 J DIMENSIONS = 0.12"; K DIMENSION = 0.12, L DIMENSION = 0.15"



Cycloaliphatic Bus Bar Support Insulators-Feed Through

Cycloaliphatic feed-thru bus insulators are designed as a support insulator for bus bars in air insulated metal-clad and metal enclosed switchgear. High compression strength and other qualities of cycloaliphatic epoxy make these feed-thru bus supports reliable for many years of reliable service.

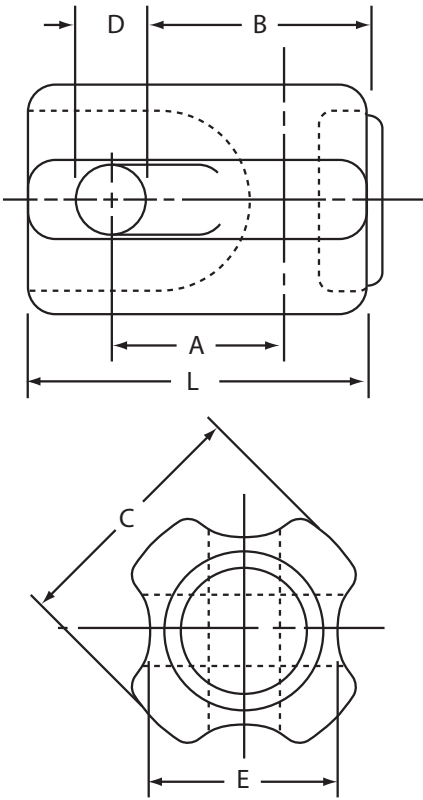


Part No.	Copper Bar Size	Dimensions (in.)			
		H	L	W	R
2780	1/4" X 2"	4 11/16"	4"	2 13/64"	21/32"
2781	3/8" X 4"	4 9/16"	6 3/16"	2 9/16"	27/32"
2782	1/2" X 4"	4 9/16"	6 3/16"	2 9/16"	27/32"
2783	5/8" x 6"	4 5/8"	8 1/4"	2 3/4"	27/32"
2784	(2) 1/4" x 2"	4 5/8"	4"	2 1/8"	21/32"
MI-0720310-IC	(2) 3/4" x 6"	4 13/16"	9 1/4"	4 1/4"	27/32"

NOTE: VOLTAGE RATING IS DEPENDENT ON CLEARANCES TO CONDUCTIVE MATERIALS IN ACCORDANCE WITH IEEE 1427-2020

POLE-LINE HARDWARE

Guy Strain Insulators



ANSI Class	DIM. L	DIM. A	DIM. B	DIM. C	DIM. D	DIM. E	Maximum Cable Size	Ultimate Strength
54-1	3 1/2"	1 3/4"	2 1/2"	2 1/2"	5/8"	1 3/4"	3/8"	10000 lbs.
54-2	4 1/4"	2 1/4"	3"	2 7/8"	7/8"	2 1/8"	1/2"	12000 lbs.
54-3	5 1/2"	3 1/8"	4 1/16"	3 3/8"	1"	2 3/8"	5/8"	20000 lbs.
54-4	6 3/4"	2 5/8"	4 1/2"	3 1/2"	1"	2 3/8"	5/8"	20000 lbs.



Spool Insulators



ANSI Class	Figure Number	Ultimate Strength	Low Frequency Flashover kV Dry	Low Frequency Flashover kV Wet		Approx. Weight Per 100
				VERT.	HORZ.	
53-1	1	2000 lbs.	20	8	10	50 lbs.
53-2	2	3000 lbs.	25	12	15	118 lbs.
53-3	—	4000 lbs.	25	12	15	134 lbs.
53-4	3	4500 lbs.	25	12	15	250 lbs.
53-5	—	6000 lbs.	35	18	25	258 lbs.

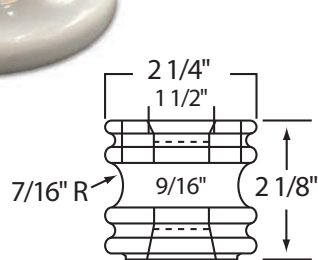


FIG. 1

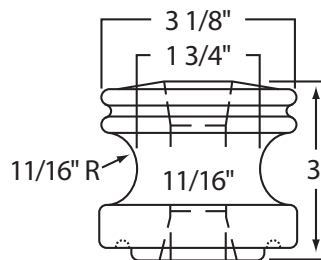


FIG. 2

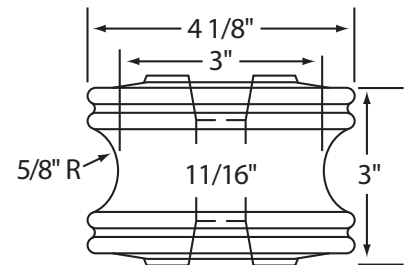


FIG. 3

Clevises

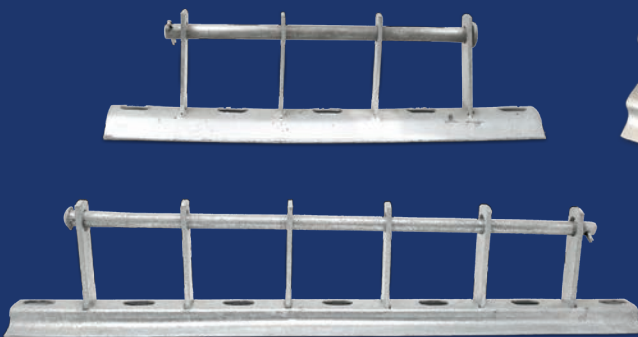
For general use in commercial and industrial applications, **Clevises** are suitable for dead-ending service drops. Hot dip galvanized in accordance with the latest applicable ASTM standards. Clevises are sold with, or without, spool insulators.



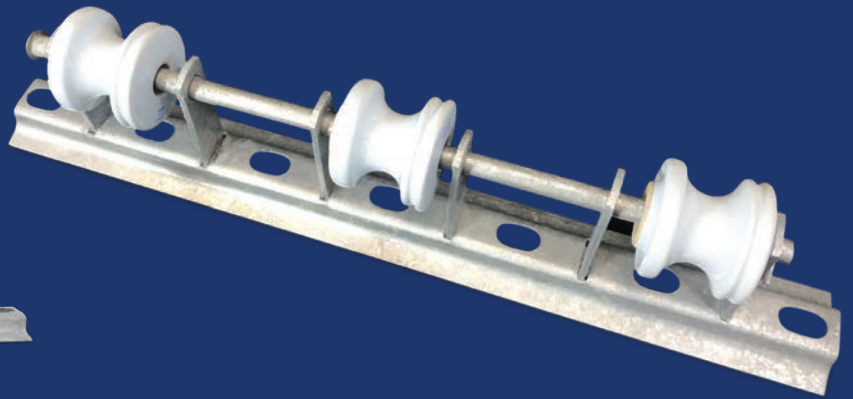
Part No.		Insulator	Height	Inside Width	Depth
Without Insulators	With Insulators				
MI-231	MI-431	53-1	6 1/2"	2 1/2"	1 3/4"
MI-300	MI-400	53-2	4"	3 3/4"	4"
MI-313	MI-413	53-1	4 1/4"	2 1/2"	1 1/2"
MI-322	MI-422	53-2	6"	3 1/2"	1 1/2"
MI-353	MI-453	53-1	5"	2 1/2"	1 1/2"
MI-393	MI-493	53-2	5"	4"	1"

Secondary Racks

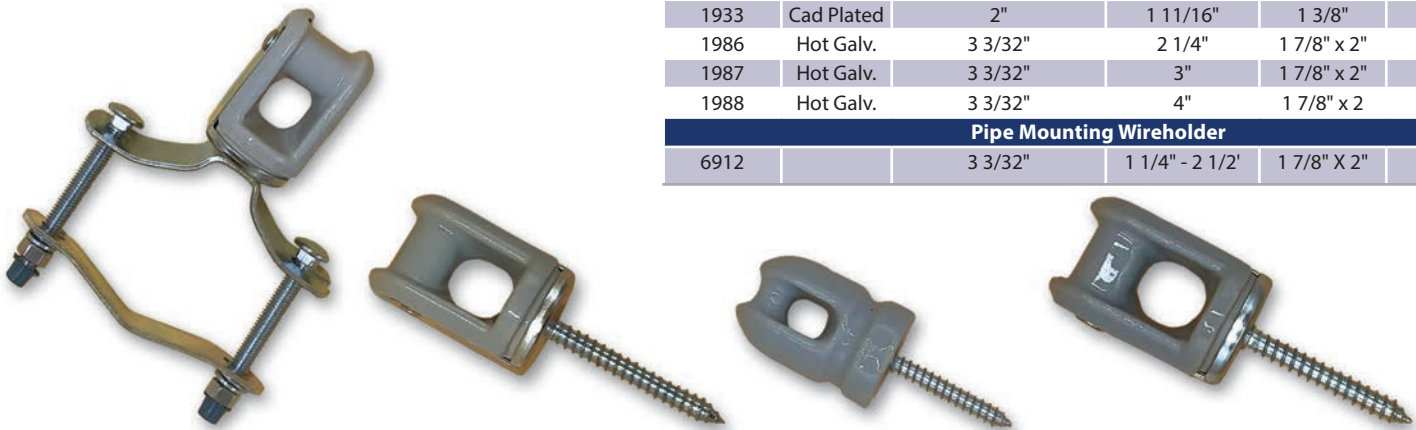
Made of 12 gauge, Hot Dip Galvanized Steel, with 8 Gauge Hot Dipped Galvanized Points, our **Secondary Racks** are rugged enough to stand up to most any environment.



Part No.		Number of Insulators	Length
Without Insulators	With Insulators		
SR-18	SR-418	2	18"
SR-26	SR-426	3	26"
SR-34	SR-434	4	34"



Wire Holders



Part No.	Screw	Porcelain Height	Screw Height	Diameter	Opening
1929	Cad.Plated	3"	2 1/4"	2"	5/8" x 3/4"
1933	Cad Plated	2"	1 11/16"	1 3/8"	1/2"
1986	Hot Galv.	3 3/32"	2 1/4"	1 7/8" x 2"	7/8" x 1"
1987	Hot Galv.	3 3/32"	3"	1 7/8" x 2"	7/8" x 1"
1988	Hot Galv.	3 3/32"	4"	1 7/8" x 2"	7/8" x 1"
Pipe Mounting Wireholder					
6912		3 3/32"	1 1/4" - 2 1/2"	1 7/8" X 2"	7/8" x 1"

Meister International provides only the highest quality products around the world. With the largest inventory in the industry we have what you need,
when you need it.



- BUS INSULATORS • SWITCH POST INSULATORS •
- CYCLOALIPHATIC BUS INSULATORS •
- PORCELAIN STANDOFF INSULATORS •
- PORCELAIN STATION POST INSULATORS •
- POLYESTER STANDOFF INSULATORS •
- PORCELAIN SWITCHGEAR & TRANSFORMER BUSHINGS •
- PORCELAIN CABLE BUSHINGS •
- CYCLOALIPHATIC BUS BAR SUPPORT INSULATORS •
- POLE-LINE HARDWARE •



Meister International, LLC

11799 Enterprise Drive • Cincinnati, OH 45241
513.923.2712 • Email: sales@meisterintl.com • meisterintl.com