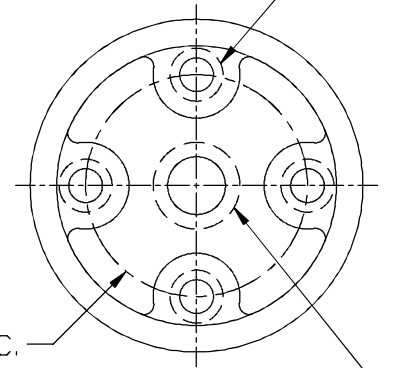


(4) 1/2-13 TH'D HOLES
 × 11/16" GOOD THREAD



3" [76mm] D.B.C.

3/4-10 BOH HOLE
 × 11/16" GOOD THREAD

VIEW "A-A"
 (TYP. TOP & BOTTOM)

DESCRIPTION
 HIGH-STRENGTH BUS INSULATOR

UNGLAZED FIRING SURFACE

DIMENSIONS

HEIGHT 8.375" [213mm]
 DIAMETER 7.00" [178MM]
 BOLT CIRCLE DIA. 3.00" [76MM]
 LEAKAGE DISTANCE 15.25" [387MM]

MECHANICAL VALUES

TENSILE 7,900LBS [35kN]
 COMPRESSION 50,000LBS [222kN]
 CANTILEVER 3,100LBS [14kN]
 TORSION 14,800LBS [66kN]

NOTES:

- 1) INSULATOR MATERIAL = WET PROCESS PORCELAIN WITH ANSI #70 LIGHT GRAY GLAZE
- 2) INSERT MATERIAL = GALVANIZED STEEL

ELECTRICAL VALUES

DRY WITHSTAND (1 MIN) 60kV
 DRY FLASHOVER 60kV
 DEW WITHSTAND (10 SEC) 60kV
 DEW FLASHOVER 60kV
 IMPULSE WITHSTAND + 125kV
 IMPULSE WITHSTAND - 125kV



Meister International, LLC

P.O. BOX 338, ROSS, OH 45061 USA
 PHONE: (513) 923-2712 FAX: (513) 923-1978
 EMAIL: SALES@MEISTERINTL.COM
 WEB: MEISTERINTL.COM

PART# MI-HSB125
 HIGH STRENGTH PORCELAIN BUS INSULATOR
 25kV 125BIL