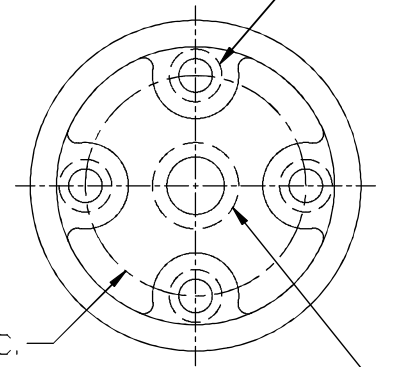


(4) 1/2-13 TH'D HOLES
x 11/16" GOOD THREAD



3" [76mm] D.B.C.

3/4-10 BOH HOLE
x 11/16" GOOD THREAD

VIEW "A-A"
(TYP. TOP & BOTTOM)

DESCRIPTION
HIGH-STRENGTH BUS INSULATOR

UNGLAZED FIRING SURFACE

DIMENSIONS
 HEIGHT 7.375" [187mm]
 DIAMETER 7.00" [178MM]
 BOLT CIRCLE DIA. 3.00" [76MM]
 LEAKAGE DISTANCE 13.25" [337MM]

MECHANICAL VALUES
 TENSILE 7,900LBS [35kN]
 COMPRESSION 50,000LBS [222kN]
 CANTILEVER 3,100LBS [14kN]
 TORSION 17,000LBS [76kN]

NOTES:

- 1) INSULATOR MATERIAL = WET PROCESS PORCELAIN WITH ANSI #70 LIGHT GRAY GLAZE
- 2) INSERT MATERIAL = GALVANIZED STEEL

ELECTRICAL VALUES
 DRY WITHSTAND (1 MIN) 50kV
 DRY FLASHOVER 50kV
 DEW WITHSTAND (10 SEC) 50kV
 DEW FLASHOVER 50kV
 IMPULSE WITHSTAND + 110kV
 IMPULSE WITHSTAND - 110kV



P.O. BOX 338, ROSS, OH 45061 USA
 PHONE: (513) 923-2712 FAX: (513) 923-1978
 EMAIL: SALES@MEISTERINTL.COM
 WEB: MEISTERINTL.COM

PART# MI-HSB110
 HIGH STRENGTH PORCELAIN BUS INSULATOR
 15kV 110BIL