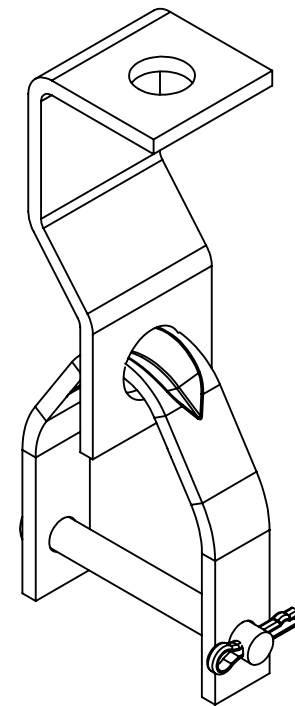
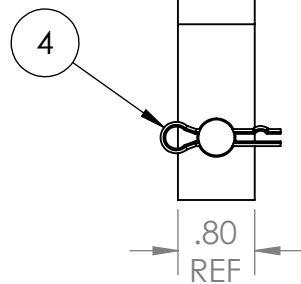
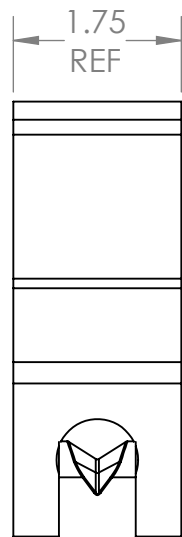
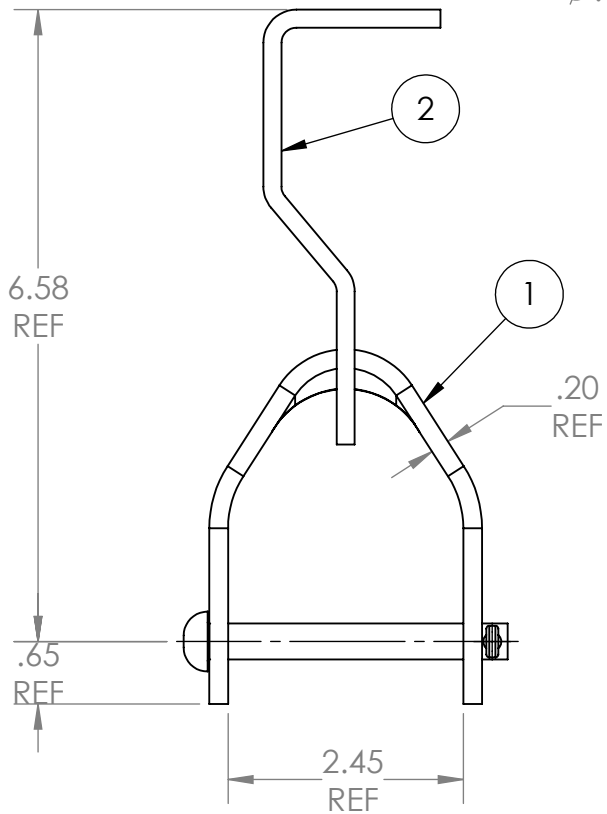
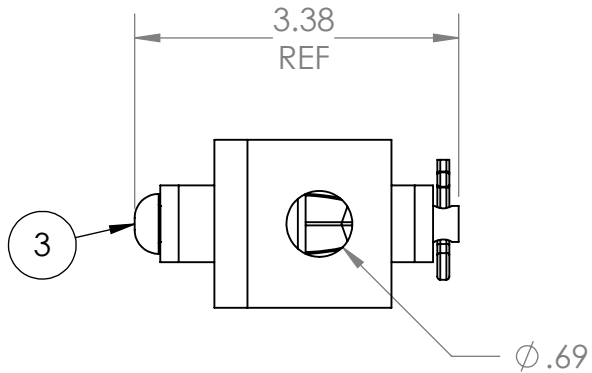


2

1

ITEM NO.	DESCRIPTION	QTY.
1	CLEVIS BODY (GALVANIZED STEEL)	1
2	ANGLE BRACKET (GALVANIZED STEEL)	1
3	CLEVIS PIN (GALVANIZED STEEL)	1
4	SELF LOCKING COTTER PIN (STAINLESS STEEL)	1



REV. #:	REVISED BY:	DESCRIPTION:
		CLEVIS SWINGING SERVICE
		Please Note: MI-231 is Clevis Body Only
		SIZE PART NO. REV
		A MI-231/MI-431
		SCALE: NTS WEIGHT: SHEET 1 OF 1

2

1