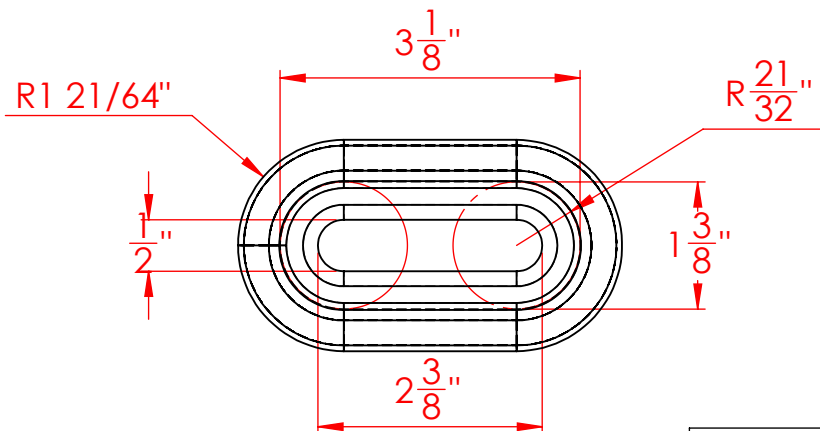
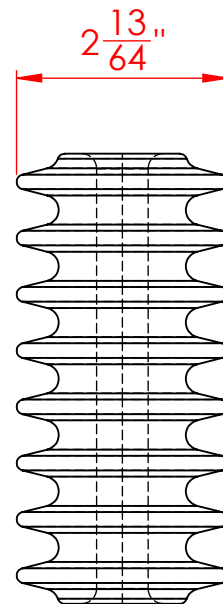
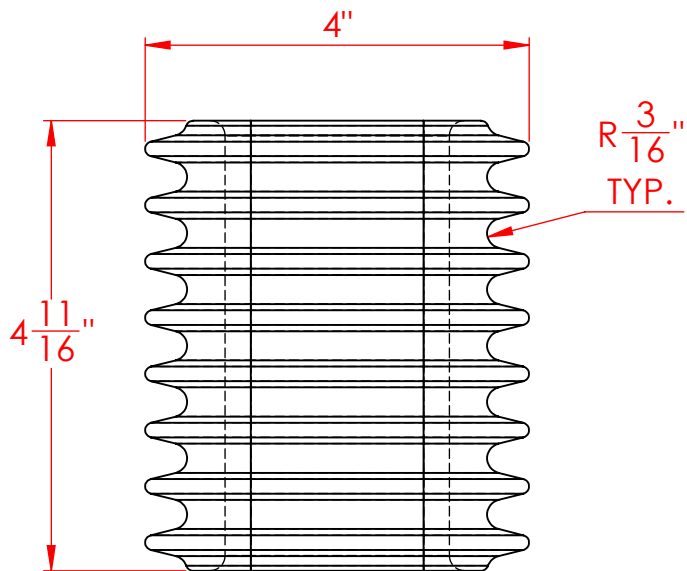
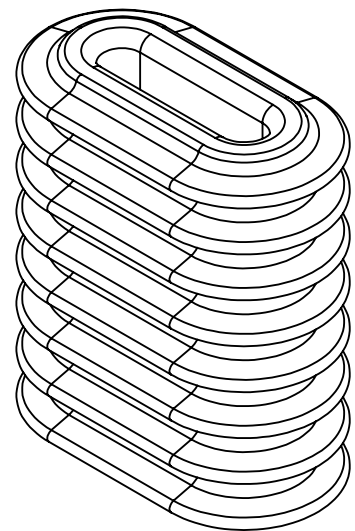


2

1



FOR 1/4" X 2" COPPER BUS BAR



B

B

A

A

REV. #:	REVISED BY:	DESCRIPTION:		
		"FEED-THRU" INDOOR BUS BAR SUPPORT INSULATOR		
MATERIAL	CYCLOALIPHATIC EPOXY	SIZE	PART NO.	REV
FINISH	SMOOTH	A	2780	
DO NOT SCALE DRAWING		SCALE: NTS	WEIGHT:	SHEET 1 OF 1

 **Meister International, LLC**
Serving the needs of the Global Electric Power Industry

513-923-2712

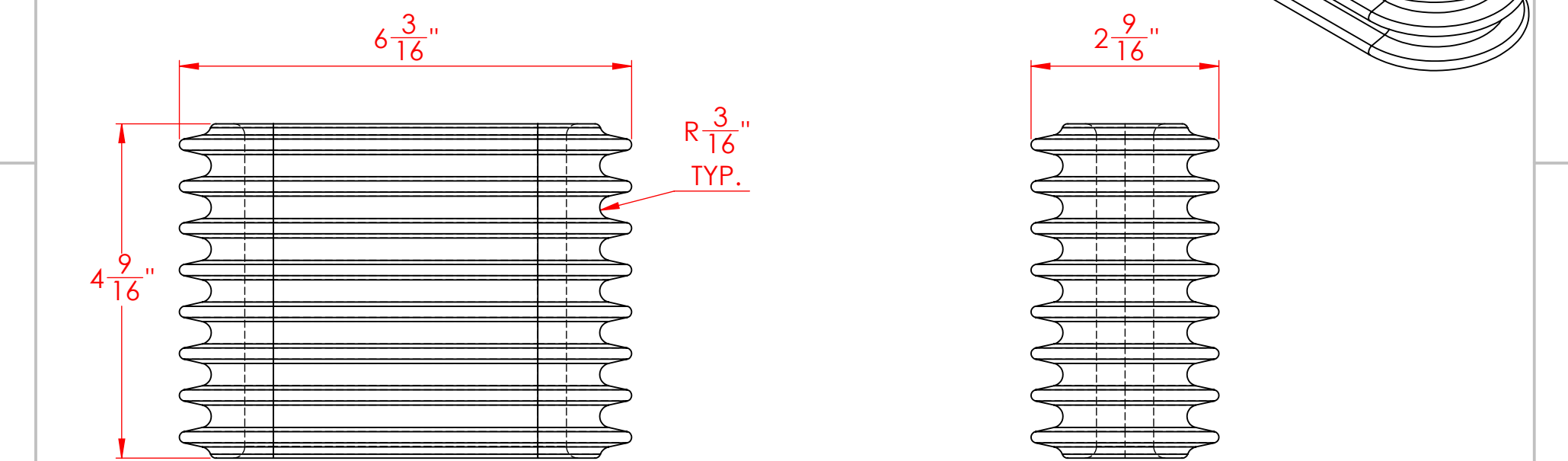
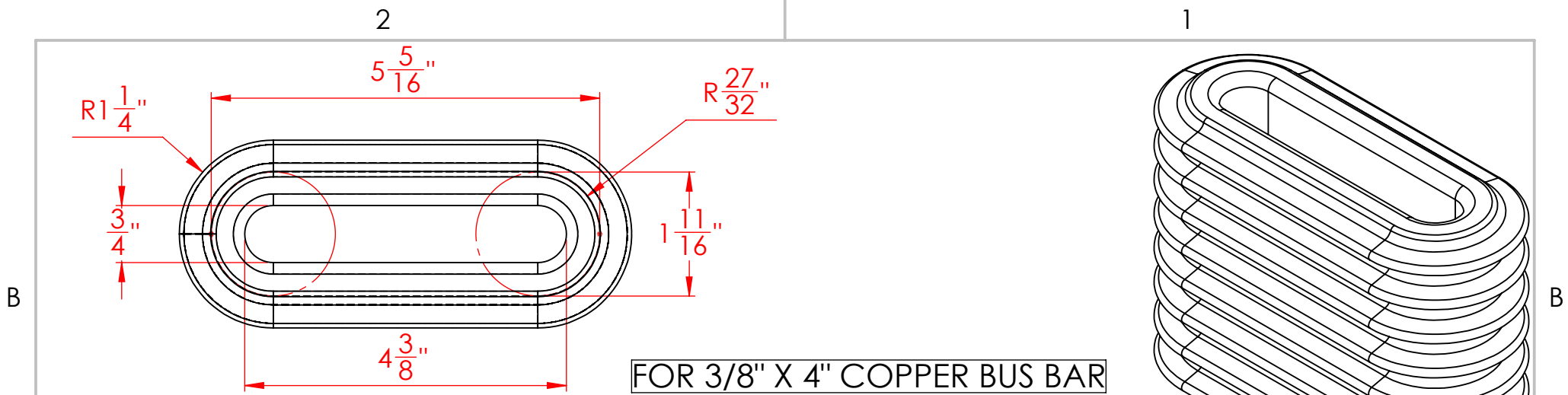
www.meisterintl.com 1308 US ROUTE 50, SUITE 200, MILFORD, OH 45150

PROPRIETARY AND CONFIDENTIAL


THE INFORMATION CONTAINED IN THIS DRAWING IS THE SOLE PROPERTY OF MEISTER INTL. ANY REPRODUCTION IN PART OR AS A WHOLE WITHOUT THE WRITTEN PERMISSION OF MEISTER INTL. IS PROHIBITED.

2

1



REV. #:	REVISED BY:	DESCRIPTION:		
		"FEED-THRU" INDOOR BUS BAR SUPPORT INSULATOR		
MATERIAL	CYCLOALIPHATIC EPOXY	SIZE	PART NO.	REV
FINISH	SMOOTH	A	2781	
DO NOT SCALE DRAWING		SCALE: NTS	WEIGHT:	SHEET 1 OF 1


Meister International, LLC
Serving the needs of the Global Electric Power Industry
 513-923-2712
www.meisterintl.com 1308 US ROUTE 50, SUITE 200, MILFORD, OH 45150

PROPRIETARY AND CONFIDENTIAL
 THE INFORMATION CONTAINED IN THIS DRAWING IS THE SOLE PROPERTY OF MEISTER INTL. ANY REPRODUCTION IN PART OR AS A WHOLE WITHOUT THE WRITTEN PERMISSION OF MEISTER INTL. IS PROHIBITED.

2

1

B

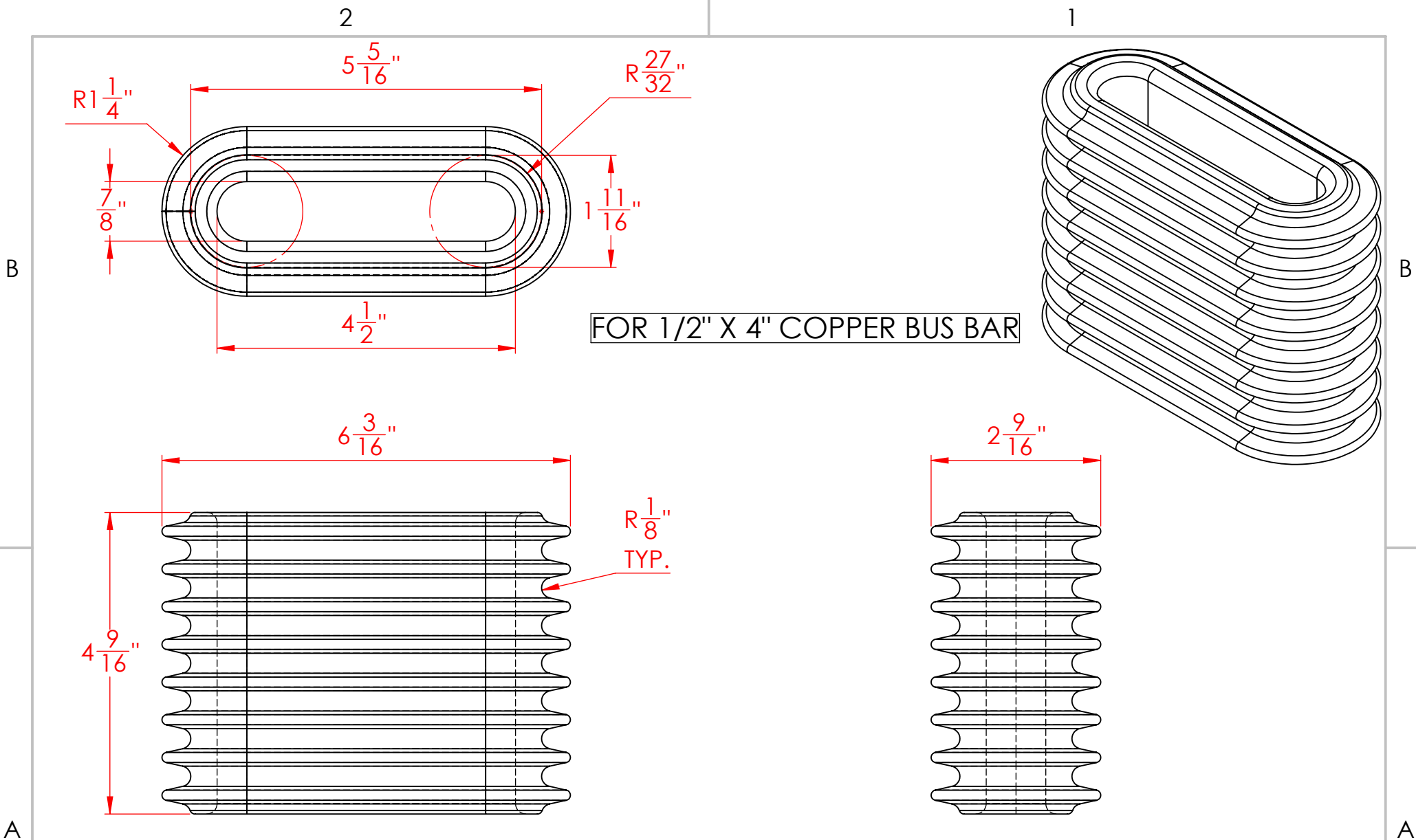
B

A

A

2


1



FOR 1/2" X 4" COPPER BUS BAR

REV. #:	REVISED BY:	DESCRIPTION:
		"FEED-THRU" INDOOR BUS BAR SUPPORT INSULATOR

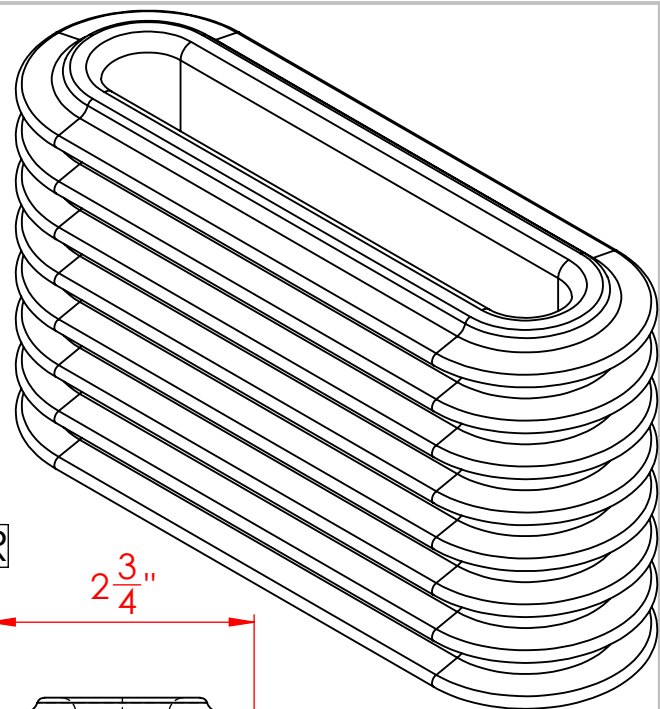
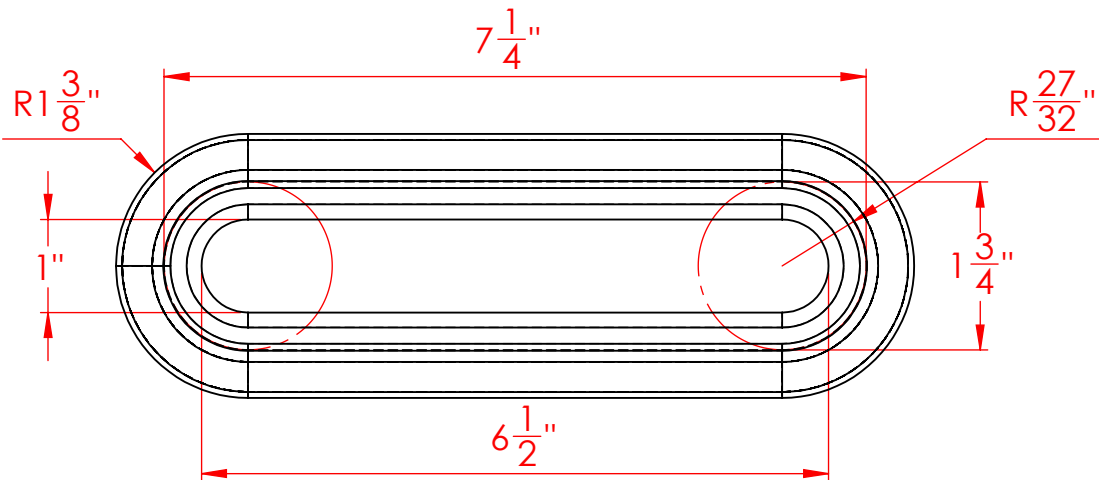
MATERIAL	SIZE	PART NO.	REV
CYCLOALIPHATIC EPOXY	A	2782	
FINISH	SCALE: NTS	WEIGHT:	SHEET 1 OF 1
SMOOTH			
DO NOT SCALE DRAWING			


Meister International, LLC
Serving the needs of the Global Electric Power Industry
 513-923-2712
 www.meisterintl.com 1308 US ROUTE 50, SUITE 200, MILFORD, OH 45150

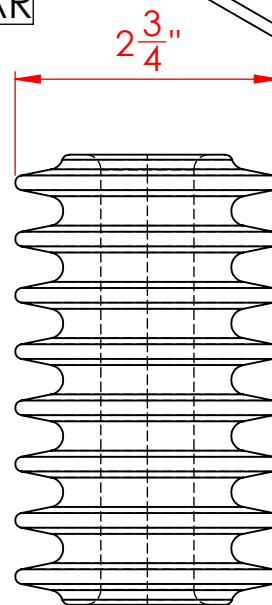
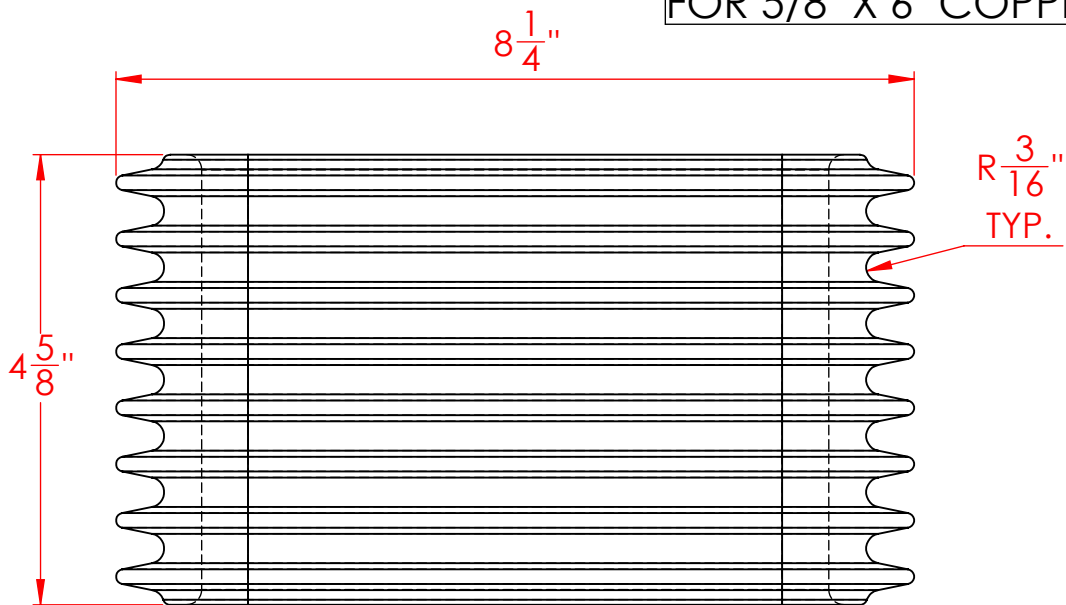
PROPRIETARY AND CONFIDENTIAL
 THE INFORMATION CONTAINED IN THIS DRAWING IS THE SOLE PROPERTY OF MEISTER INTL. ANY REPRODUCTION IN PART OR AS A WHOLE WITHOUT THE WRITTEN PERMISSION OF MEISTER INTL. IS PROHIBITED.

2

1



FOR 5/8" X 6" COPPER BUS BAR



B

B

A

A

REV. #:	REVISED BY:	DESCRIPTION: "FEED-THRU" INDOOR BUS BAR SUPPORT INSULATOR		
		MATERIAL CYCLOALIPHATIC EPOXY	SIZE A	PART NO. 2783
		FINISH SMOOTH	DO NOT SCALE DRAWING	SCALE: NTS
			WEIGHT:	SHEET 1 OF 1

 **Meister International, LLC**
Serving the needs of the Global Electric Power Industry

513-923-2712

www.meisterintl.com 1308 US ROUTE 50, SUITE 200, MILFORD, OH 45150

PROPRIETARY AND CONFIDENTIAL

THE INFORMATION CONTAINED IN THIS DRAWING IS THE SOLE PROPERTY OF MEISTER INTL. ANY REPRODUCTION IN PART OR AS A WHOLE WITHOUT THE WRITTEN PERMISSION OF MEISTER INTL. IS PROHIBITED.

2

1