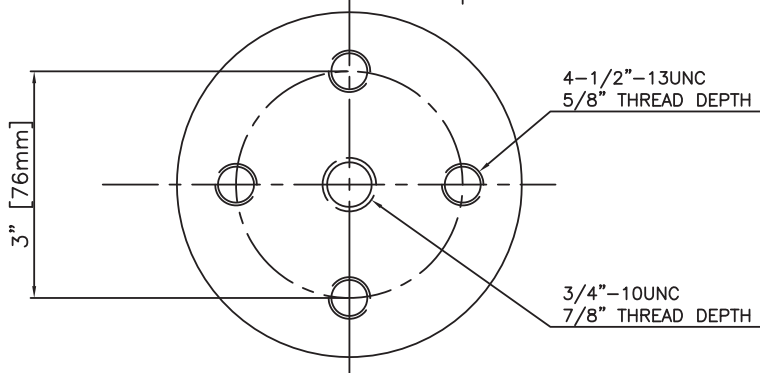


TECHNICAL REQUIREMENTS

Cantilever Strength:	2500# [11.3KN]
Tensile Strength:	5000# [22.7KN]
Torsion Strength:	6000# [27.2KN.M]
Compression Strength:	30000# [136KN]
NEMA Voltage Rating:	13.2kV
60 Hertz Withstand - Dry:	36KkV
60 Hertz Withstand - Dew:	26kV
Impulse Withstand:	95kV
Glaze: ANSI 70 Light Grey	
Applicable Standard: ANSI C29.10 - 1989	



Meister International, LLC

P.O.Box 338 Ross, Ohio 45061 USA

Tel: 513-923-2712 • Fax: 513-923-1978 • Email: sales@meisterintl.com

www.meisterintl.com

**PART NO. A30-3
INDOOR BUS SUPPORT**