

### ELECTRICAL PROPERTIES

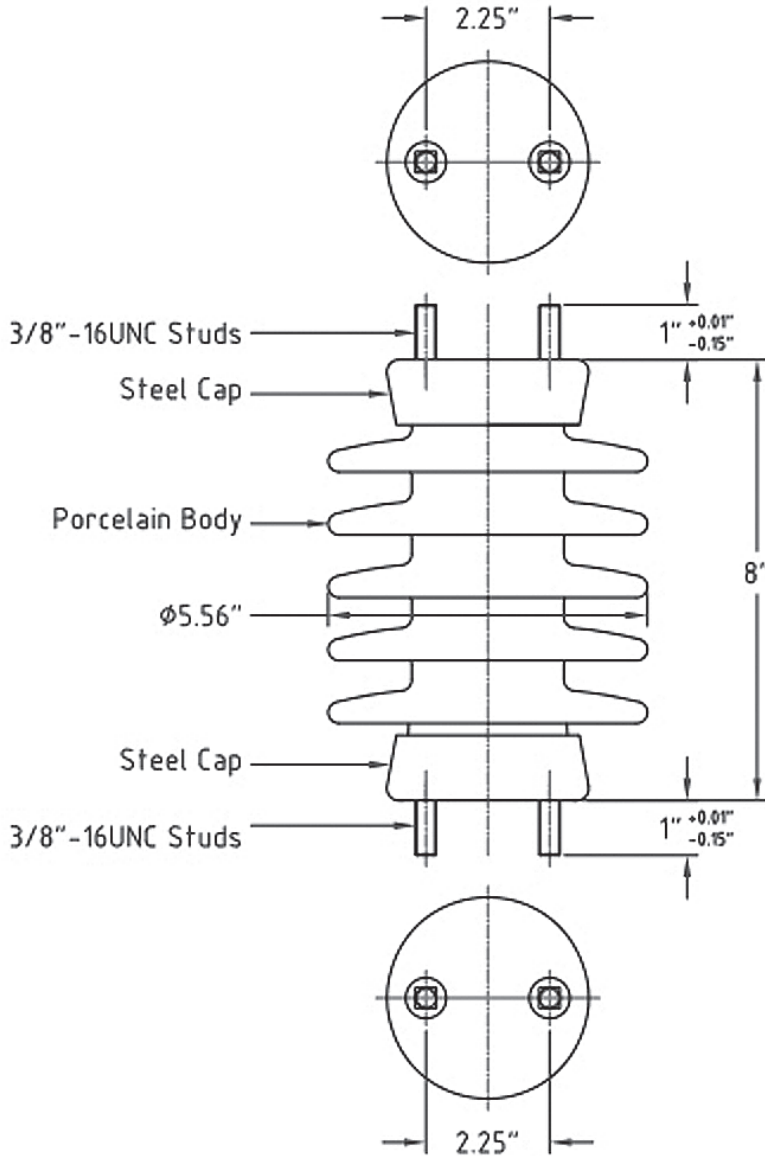
Critical Impulse Flashover Voltage		
Positive	kV	135
Impulse Withstand Voltage	kV	110
Wet p.f. Withstand Voltage	kV	45

### PHYSICAL PROPERTIES

Nominal Creepage Distance	In.	17.38
Net Weight	lb.	9.9
Color		Light Grey

### MECHANICAL PROPERTIES

Cantilever Strength, Upright	lb.	1000
Cantilever Strength, Underhung	lb.	1000
Torsion Strength	in. - lb.	5000
Tension Strength	lb.	5000
Reference Standard		ANSI C29.9



#### NOTES:

1. All ferrous parts Hot Dip Galvanized.
2. Exposed cement surface coated with silicone.



**Meister** International, LLC

P.O.Box 338 Ross, Ohio 45061 USA

Tel: 513-923-2712 • Fax: 513-923-1978 • Email: sales@meisterintl.com

www.meisterintl.com

**PART NO. 6035AX**  
**PORCELAIN SWITCH POST INSULATOR**  
**15kV, 110kV BIL**