

MECHANICAL VALUES:

TRANSVERSE STRENGTH: 3000 LB

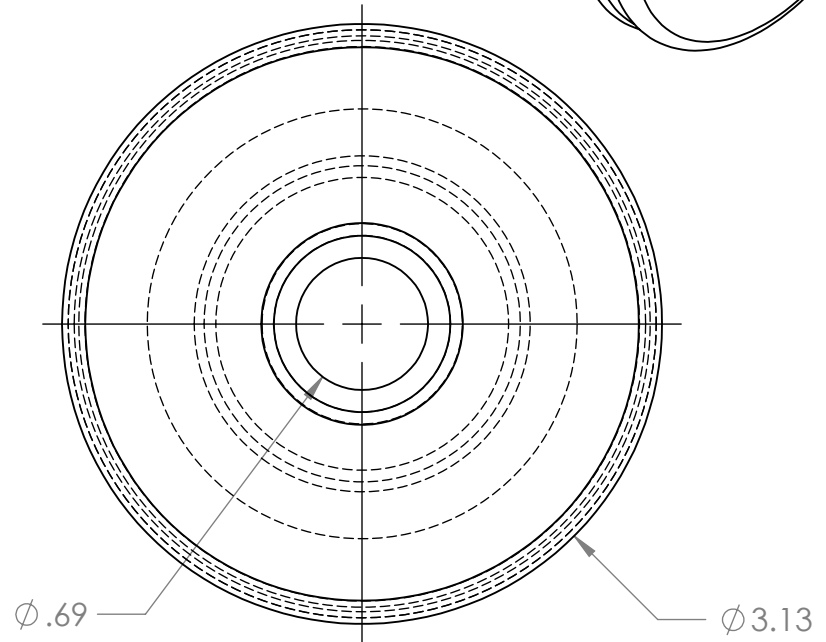
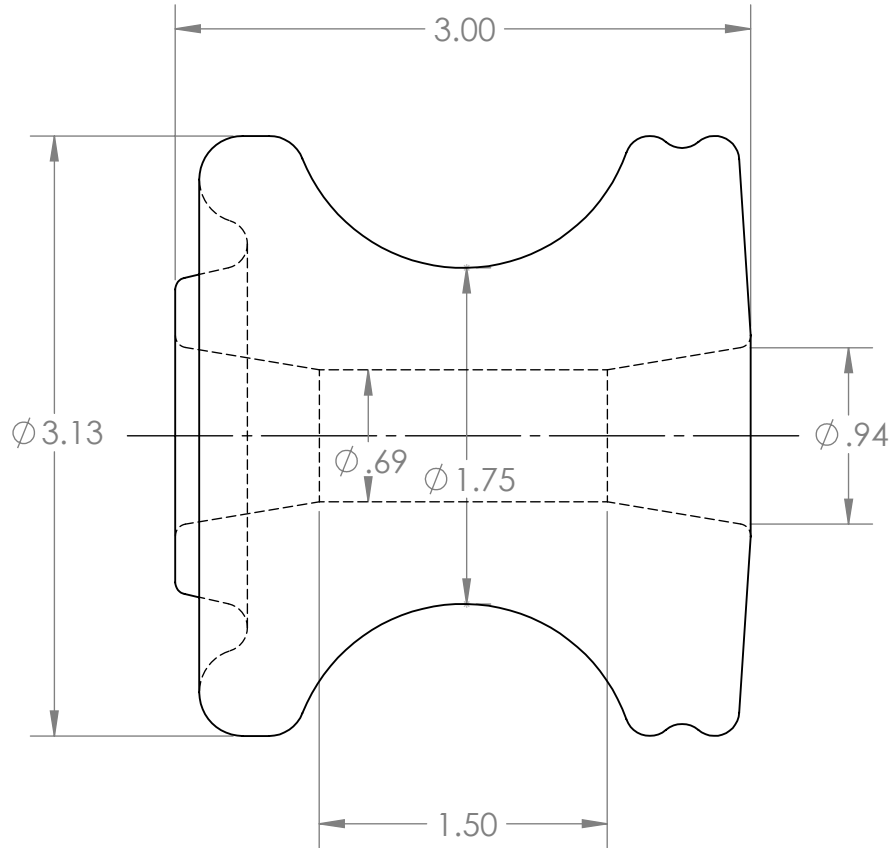
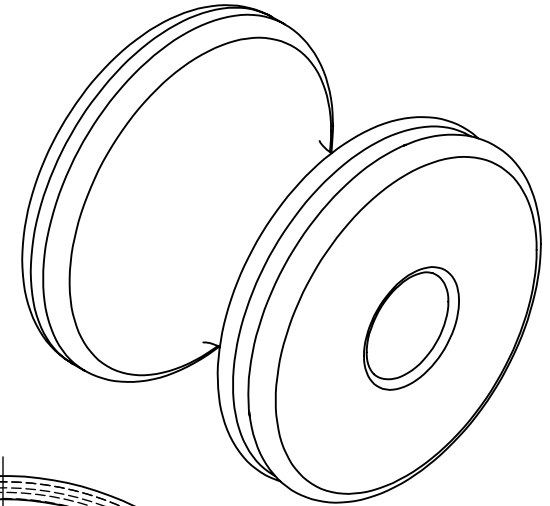
ELECTRICAL VALUES:

60 HERTZ FLASHOVER-DRY: 25 kV

60 HERTZ FLASHOVER-WET:

VERTICAL: 12 kV

HORIZONTAL: 15 kV



REV. #:	REVISED BY:	DESCRIPTION:		
		ANSI 53-2 SPOOL INSULATOR		
MATERIAL	SIZE	PART NO.	REV	
FINISH	A	53-2		
DO NOT SCALE DRAWING	SCALE: NTS	WEIGHT:	SHEET 1 OF 1	



513-923-2712

www.meisterintl.com 1308 US ROUTE 50, SUITE 200, MILFORD, OH 45150

PROPRIETARY AND CONFIDENTIAL

THE INFORMATION CONTAINED IN THIS DRAWING IS THE SOLE PROPERTY OF MEISTER INTL. ANY REPRODUCTION IN PART OR AS A WHOLE WITHOUT THE WRITTEN PERMISSION OF MEISTER INTL. IS PROHIBITED.

B

B

A

A