

**MECHANICAL VALUES:**

TRANSVERSE STRENGTH: 2000 LB

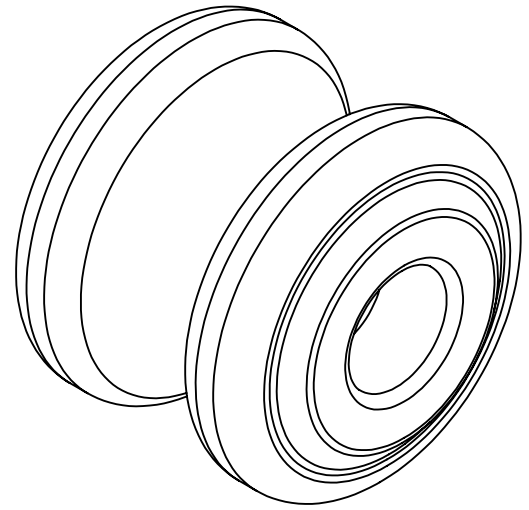
**ELECTRICAL VALUES:**

60 HERTZ FLASHOVER-DRY: 20 kV

60 HERTZ FLASHOVER-WET:

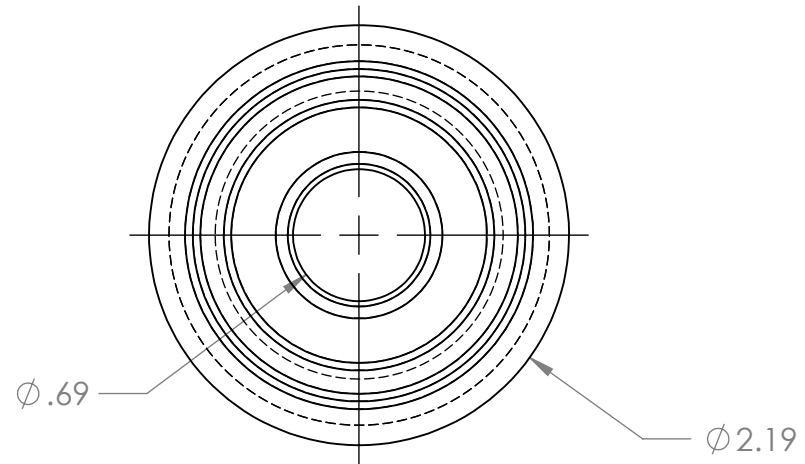
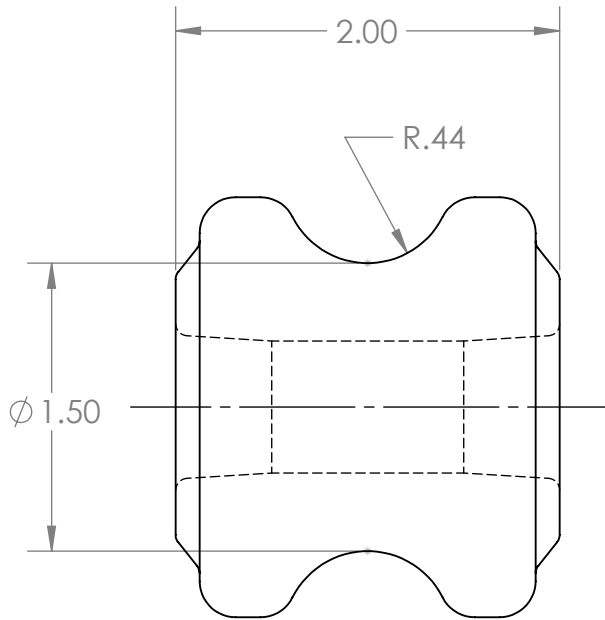
VERTICAL: 8 kV

HORIZONTAL: 10 kV



B

B



A

A

|                      |             |                                  |              |  |
|----------------------|-------------|----------------------------------|--------------|--|
| REV. #:              | REVISED BY: | DESCRIPTION:                     |              |  |
|                      |             | <b>ANSI 53-1 SPOOL INSULATOR</b> |              |  |
| MATERIAL             | SIZE        | PART NO.                         | REV          |  |
| FINISH               | <b>A</b>    | <b>53-1</b>                      |              |  |
| DO NOT SCALE DRAWING | SCALE: NTS  | WEIGHT:                          | SHEET 1 OF 1 |  |



513-923-2712

www.meisterintl.com 1308 US ROUTE 50, SUITE 200, MILFORD, OH 45150

**PROPRIETARY AND CONFIDENTIAL**  
THE INFORMATION CONTAINED IN THIS DRAWING IS THE SOLE PROPERTY OF MEISTER INTL. ANY REPRODUCTION IN PART OR AS A WHOLE WITHOUT THE WRITTEN PERMISSION OF MEISTER INTL. IS PROHIBITED.