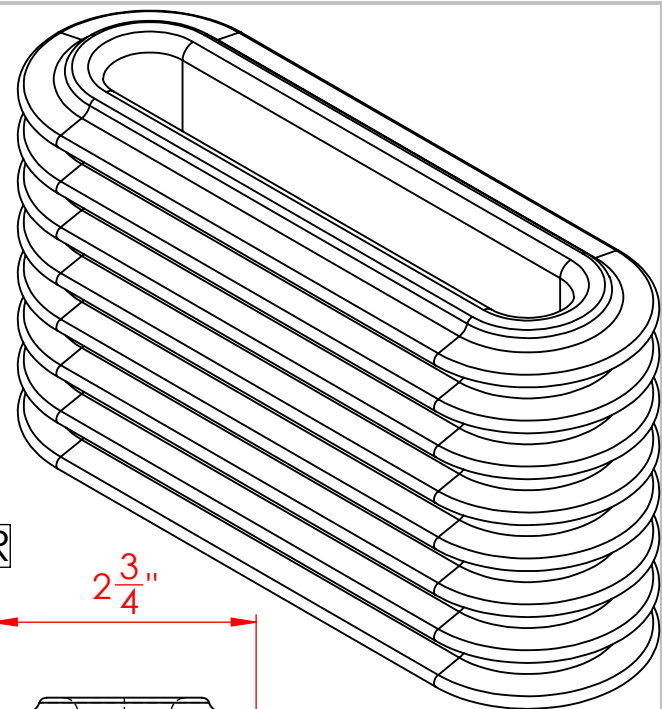
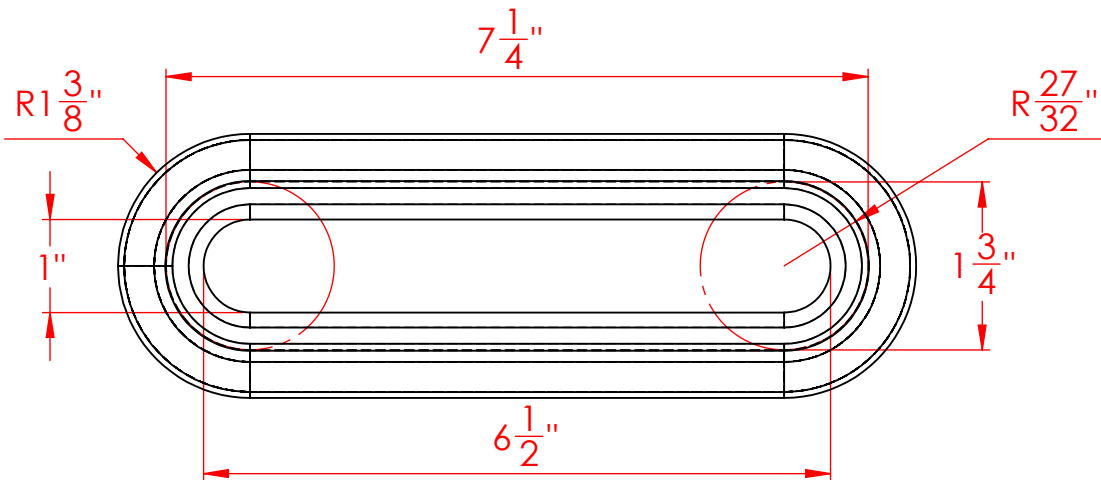
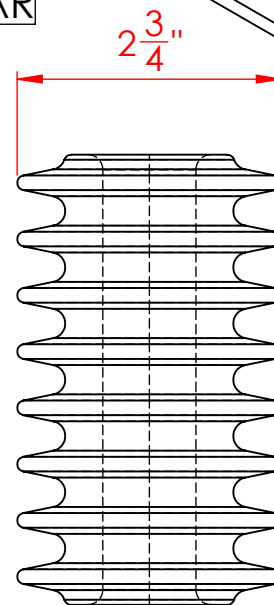
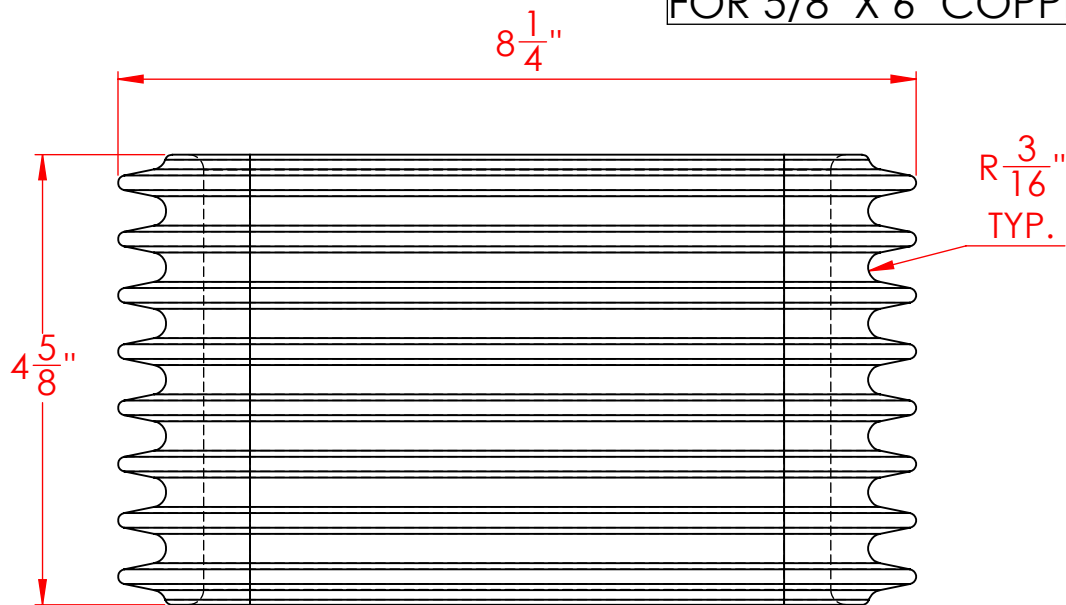


2

1



FOR 5/8" X 6" COPPER BUS BAR



B

B

A

A

REV. #:	REVISED BY:	DESCRIPTION: "FEED-THRU" INDOOR BUS BAR SUPPORT INSULATOR		
		MATERIAL CYCLOALIPHATIC EPOXY	SIZE <b>A</b>	PART NO. <b>2783</b>
		FINISH SMOOTH	DO NOT SCALE DRAWING	SCALE: NTS
			WEIGHT:	SHEET 1 OF 1

 **Meister International, LLC**  
Serving the needs of the Global Electric Power Industry

513-923-2712

www.meisterintl.com 1308 US ROUTE 50, SUITE 200, MILFORD, OH 45150

PROPRIETARY AND CONFIDENTIAL

THE INFORMATION CONTAINED IN THIS DRAWING IS THE SOLE PROPERTY OF MEISTER INTL. ANY REPRODUCTION IN PART OR AS A WHOLE WITHOUT THE WRITTEN PERMISSION OF MEISTER INTL. IS PROHIBITED.

2

1