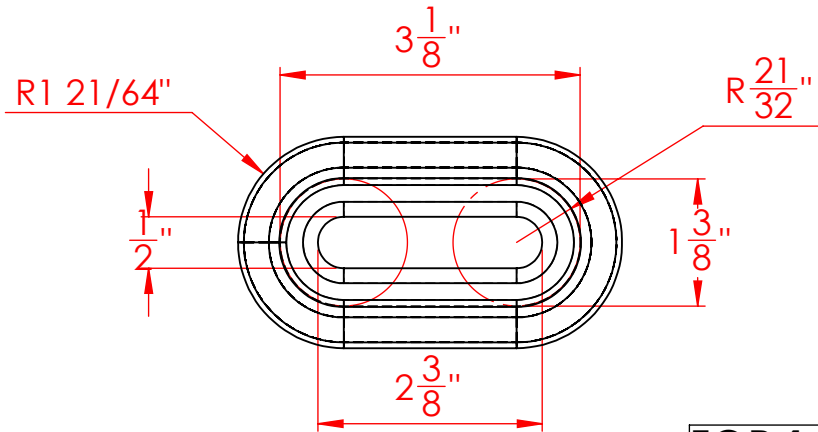
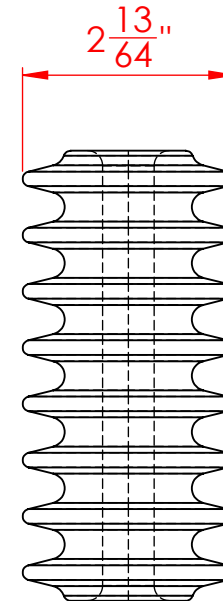
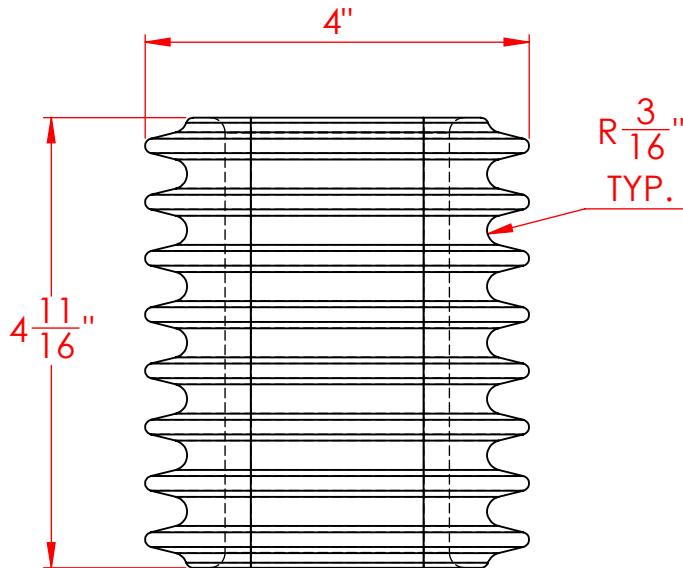
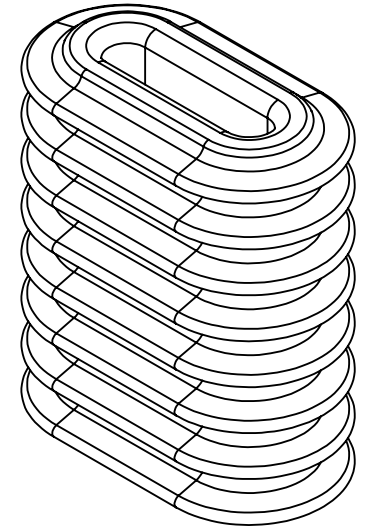


2

1



FOR 1/4" X 2" COPPER BUS BAR



B

B

A

A

REV. #:	REVISED BY:	DESCRIPTION:		
		"FEED-THRU" INDOOR BUS BAR SUPPORT INSULATOR		
MATERIAL	CYCLOALIPHATIC EPOXY	SIZE	PART NO.	REV
FINISH	SMOOTH	A	2780	
DO NOT SCALE DRAWING		SCALE: NTS	WEIGHT:	SHEET 1 OF 1

2

1