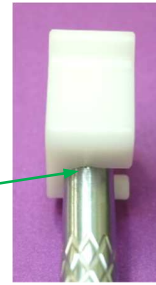


Slide the push button helper onto the handpiece.



It will clip to the handpiece at this location.



Push forward and down on the front of the helper. The helper will rock forward and leverage will help push the backcap button.

Removing the Bur.

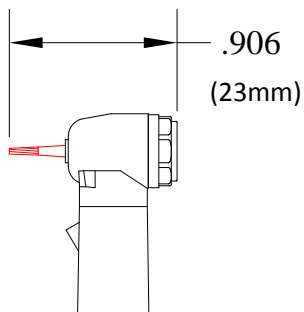
1. Fully depress the button and pull bur from turbine with fingers.

Installing the Bur.

1. Without pushing button, slide bur in with finger until it stops.
2. Then push the backcap button and slide the bur in the rest of the way.
3. Verify the bur has been installed all the way.

Bur length when fully inserted in turbine

19mm Bur



25mm Bur

