

INSTRUCTIONS FOR #9191 POOLJAM COMBO

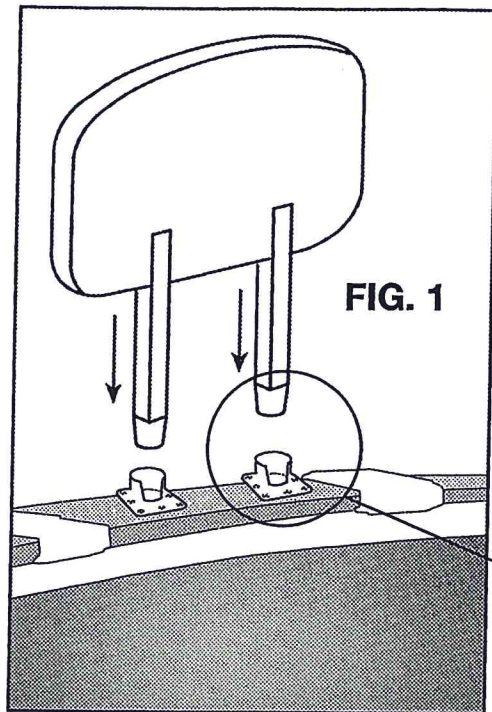
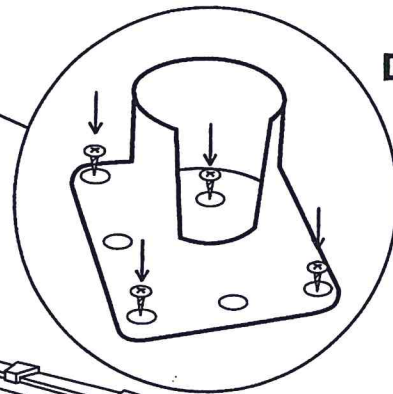


FIG. 1

1. Determine position desired for your Basketball game, upright poles and backboard (Your Volleyball game position will be determined by Basketball game position). You will need to install (2) sockets on one side of pool & (1) socket on opposing side of pool, per Fig. 1 & Fig. 2. Note: Break-Away opening should face inside of pool. **IMPORTANT!** Accurately determine backboard socket positions by temporarily assembling backboard, upright poles and sockets, and marking all holes with marker. Disassemble and attach the two sockets. Secure each socket (see Detail A) to top rail of pool using (5) self-drilling screws provided. Begin installation with center screw.



Detail A

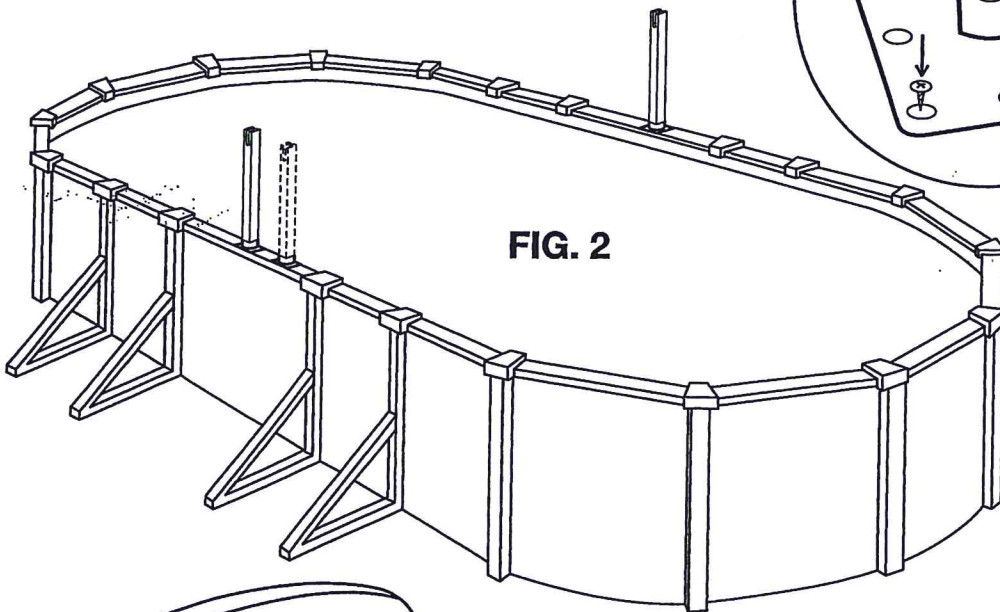


FIG. 2

FIG. 4

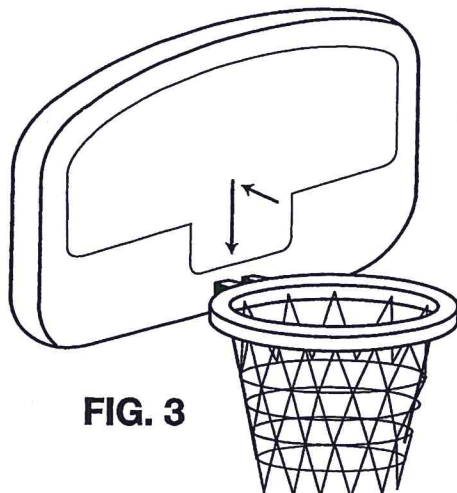
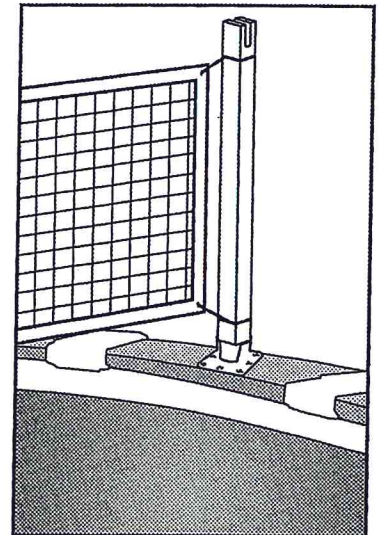


FIG. 3

3. Re-install upright poles to sockets. Apply Pool Jam label to backboard by removing small portion of backing paper. Carefully position label, remove balance of backing & smooth label to backboard. Attach hoop to backboard & net to hoop, per Fig. 3.

4. For Volleyball game, move (1) pole to opposite side of pool. Attach net to pole per Fig. 4 on both sides. Use equal lengths of string on each side of net to center net across pool.