

#87950/87952L

HYDROTOOLS™

By **SWIMLINE®**



ABOVE GROUND POOL LADDER

ASSEMBLY & INSTALLATION INSTRUCTIONS

HydroTools by Swimline/International Leisure Products, Inc.
191 Rodeo Drive, Edgewood, NY 11717 • Tel (631) 254-2155 • www.swimline.com

Very important:

- Do not use the ladder for any other purpose, it is only for use in above ground pools. • Maximum authorized mass: 275 lbs.
- Put ladder in the safety position when not in use. • Check hardware for traces of rust whenever possible.
- In winter, we recommend removing, cleaning, and drying the ladder to keep it in ideal condition.
- Failure to comply with maintenance rules may pose a serious risk to health, notably to children.
- Put ladder in the safety position when not in use.
- Do not attempt to swim around or behind the ladder. • Only one person at a time should climb up the ladder.
- Do not dive or jump from the ladder.
- Do not sit on the ladder. Do not allow children to use the ladder unless under supervision.
- Read these assembly instructions carefully. • Place the ladder on solid, level ground.
- Check the condition of the ladder components before assembly and during use.
- Apply the safety sticker on a step of the ladder so that it is clearly visible.
- Keep these instructions for information and future reference.

This ladder is easy to install and can be assembled by 1-2 adults in approx. 1 HOUR. Only the following tools are needed: #2 Phillips screwdriver and socket set or adjustable wrenches.

Diagram 1: Procedure for step & platform assembly & installation

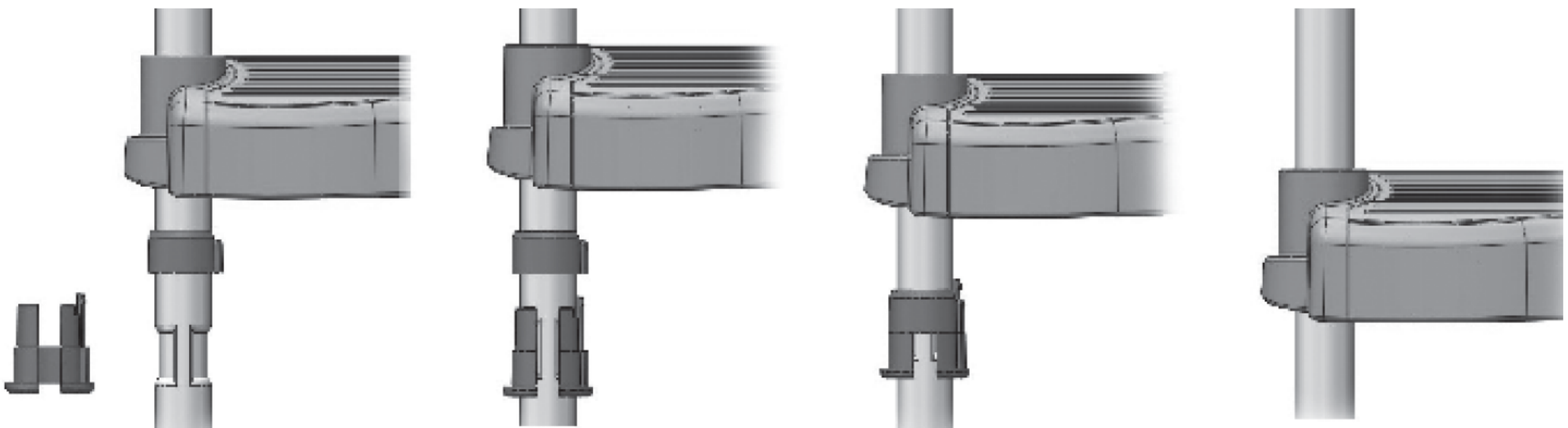


Diagram 2: Procedure for bushing installation

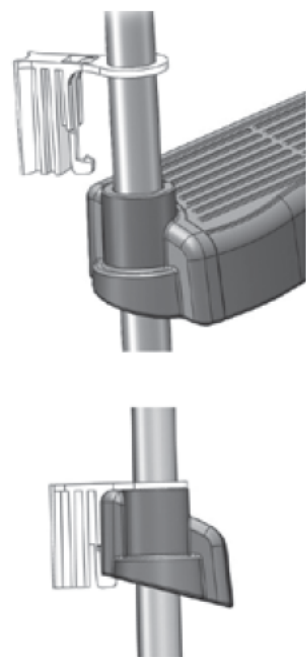


Diagram 3: Procedure for Tubing connection with Bolts, washers and nuts

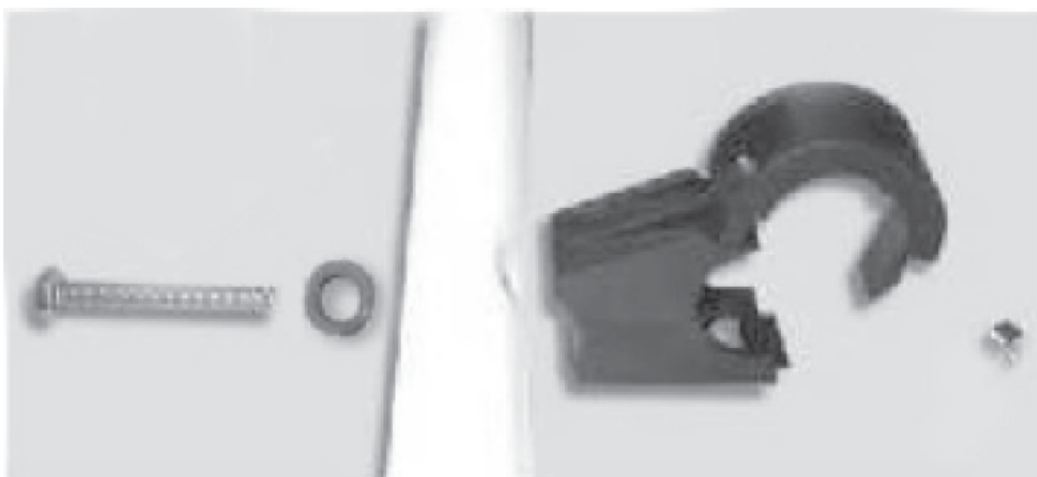
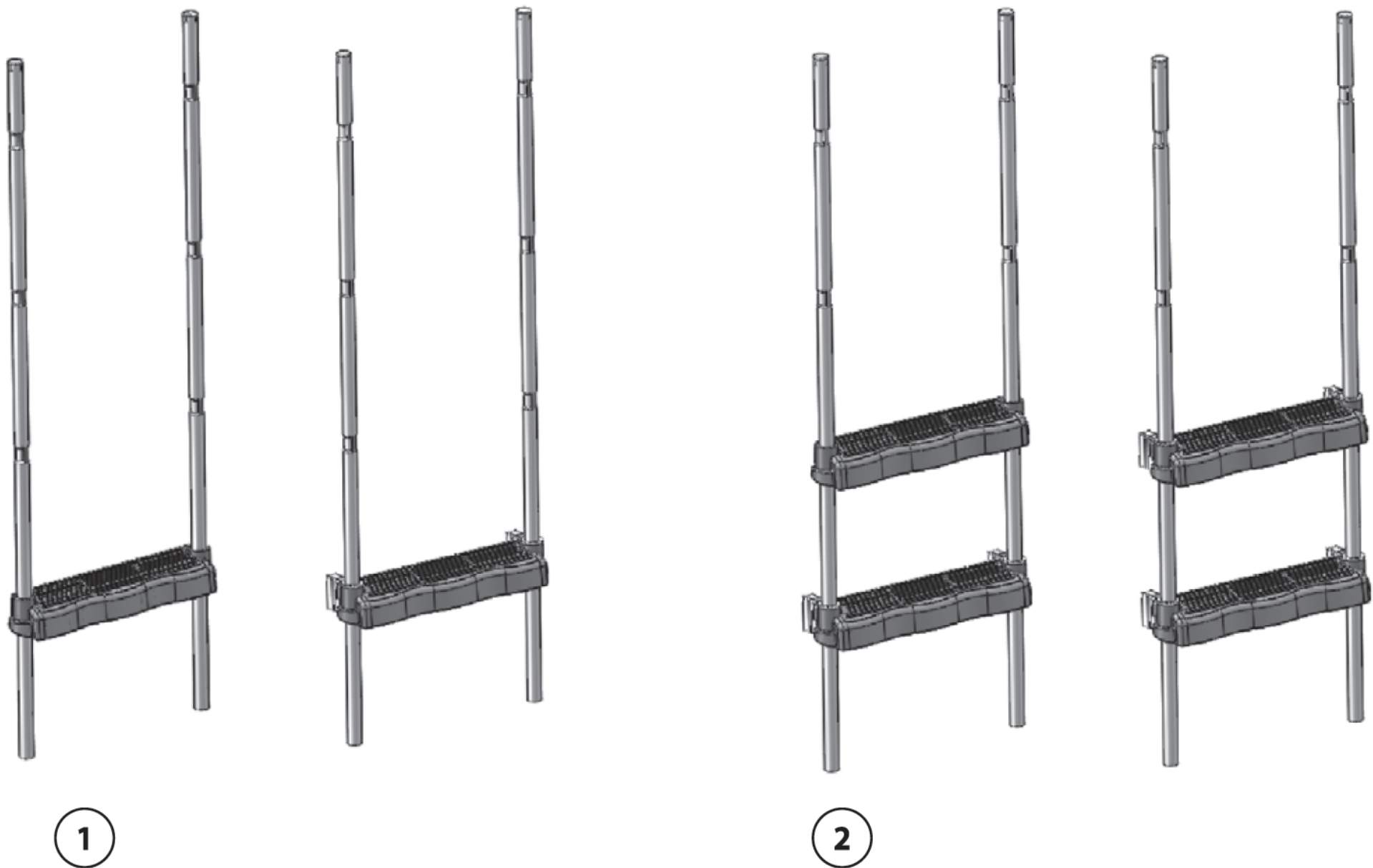


Diagram 4: Assembly of safety clips to handrail

1. Assemble the inner steps



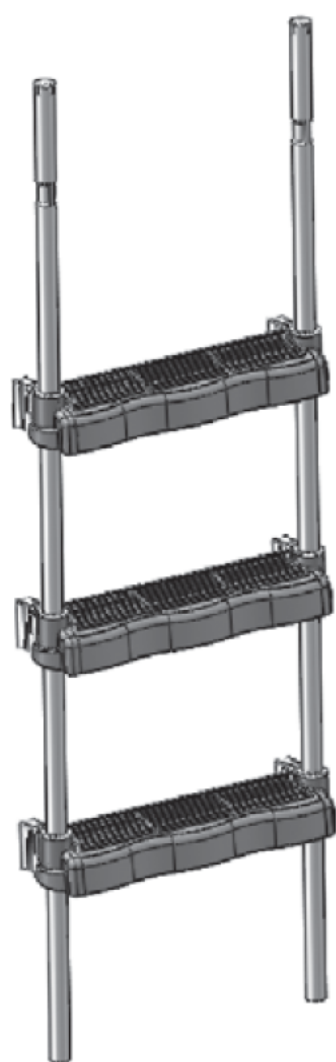
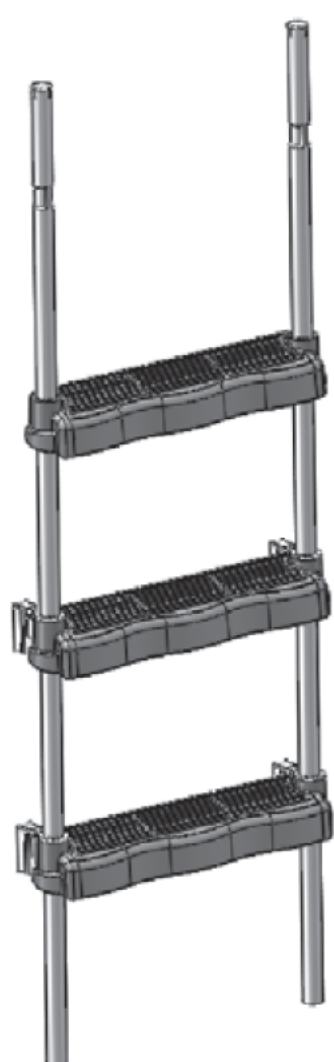
2. Assemble the outer, removable safety steps



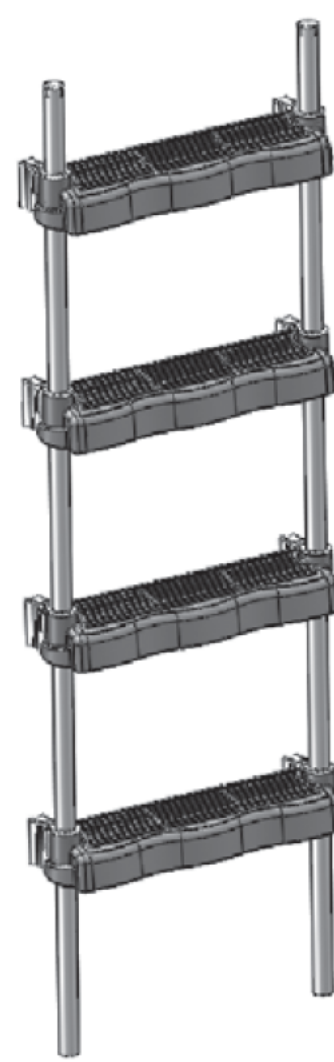
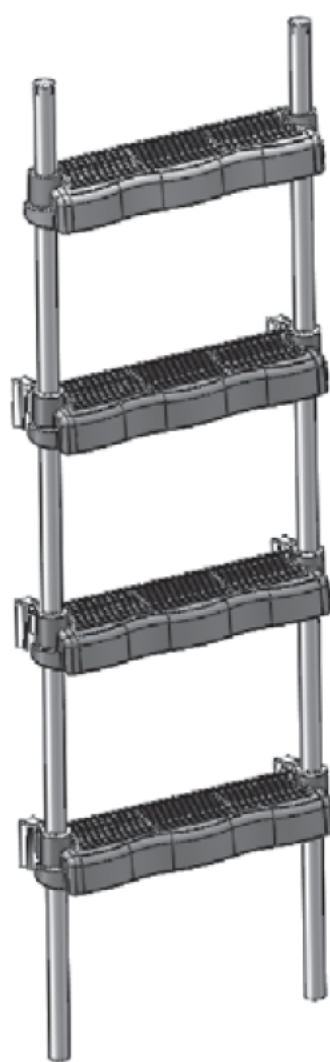
Follow Diagram 1 See 1-4

The side of the step with the white plug should face upward.

2. Assemble the outer, removable safety steps (continued)



3



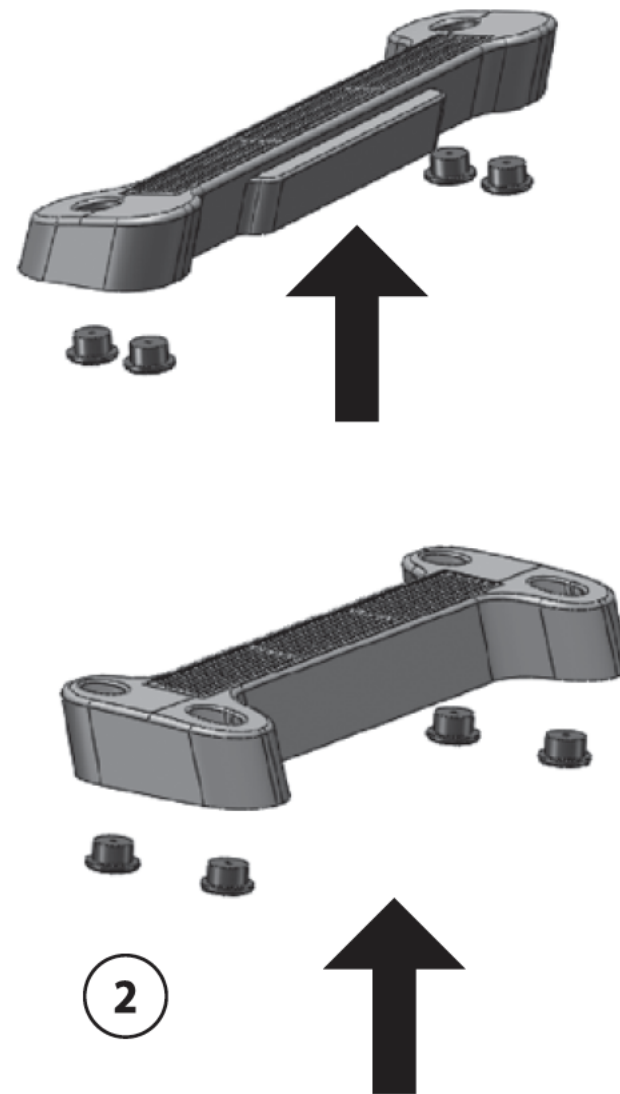
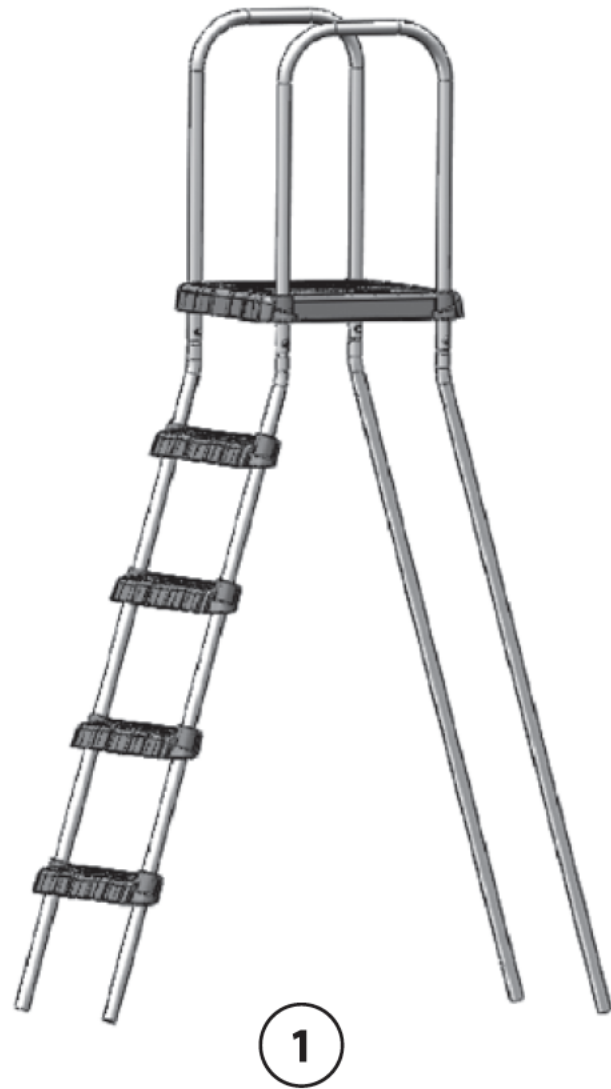
4

3. Install the platform



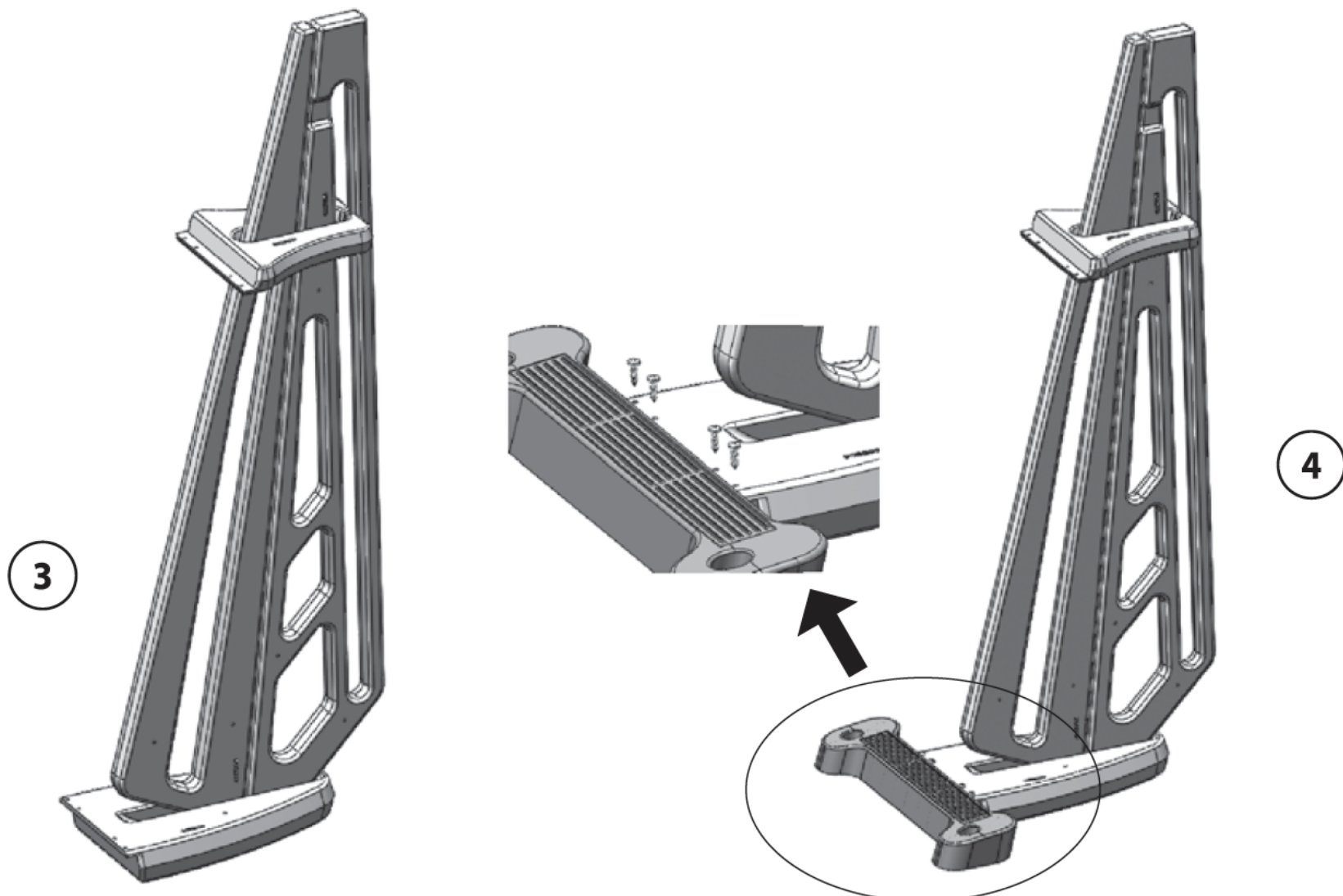
Follow Diagram I to install the platform in the connection bridges.

4. Ladder Installation



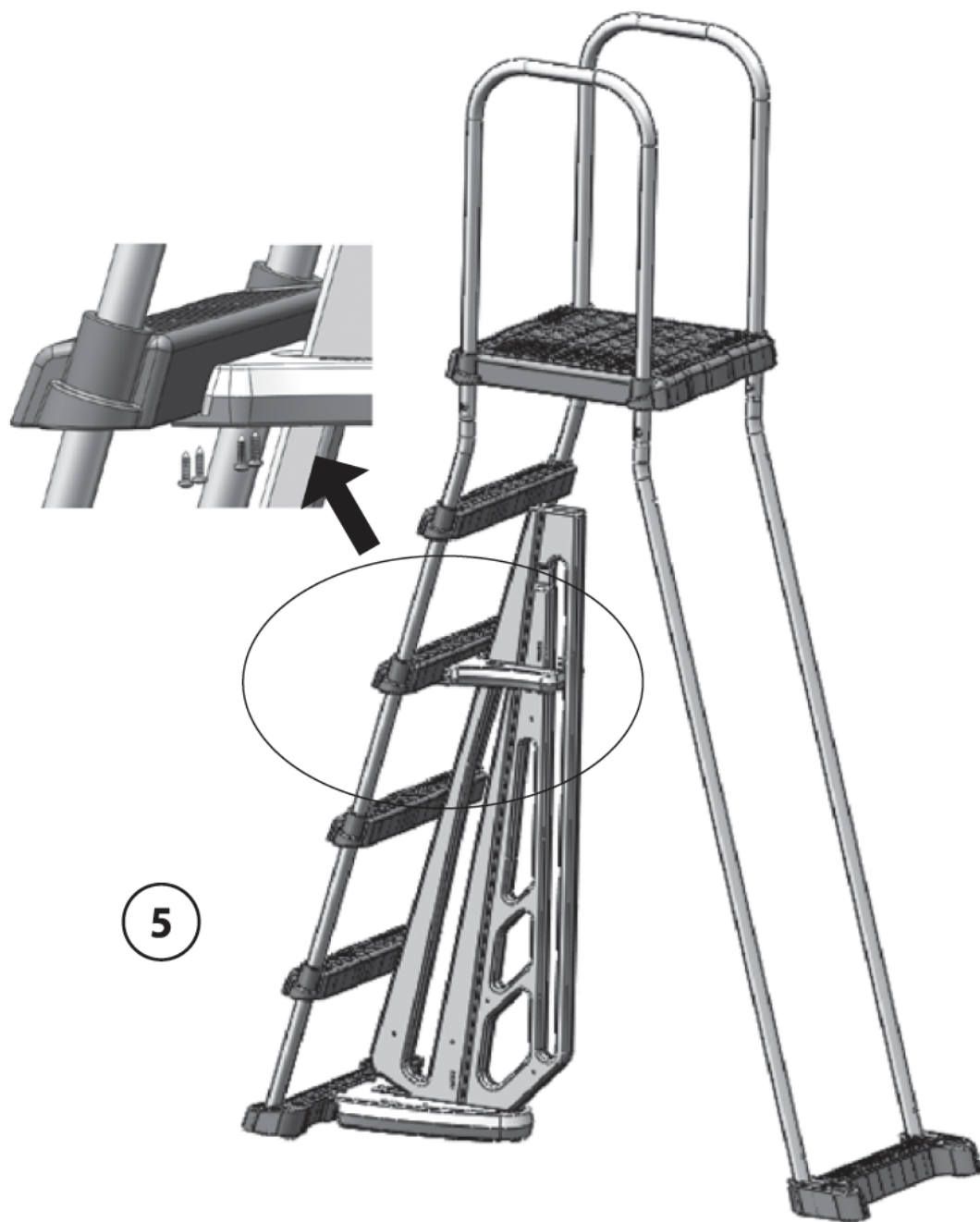
1. Lay the platform, inner ladder and outside handrail on ground. Follow the above picture to connect handrails. Follow Diagram III. Use Nuts & Bolts to assemble. The ladder will be in an "A" shape after connection of inner ladder; outside handrail and upper handrail.

2. Insert 4 non-slip plugs from underneath the inner & outer base steps (see Illustration above)

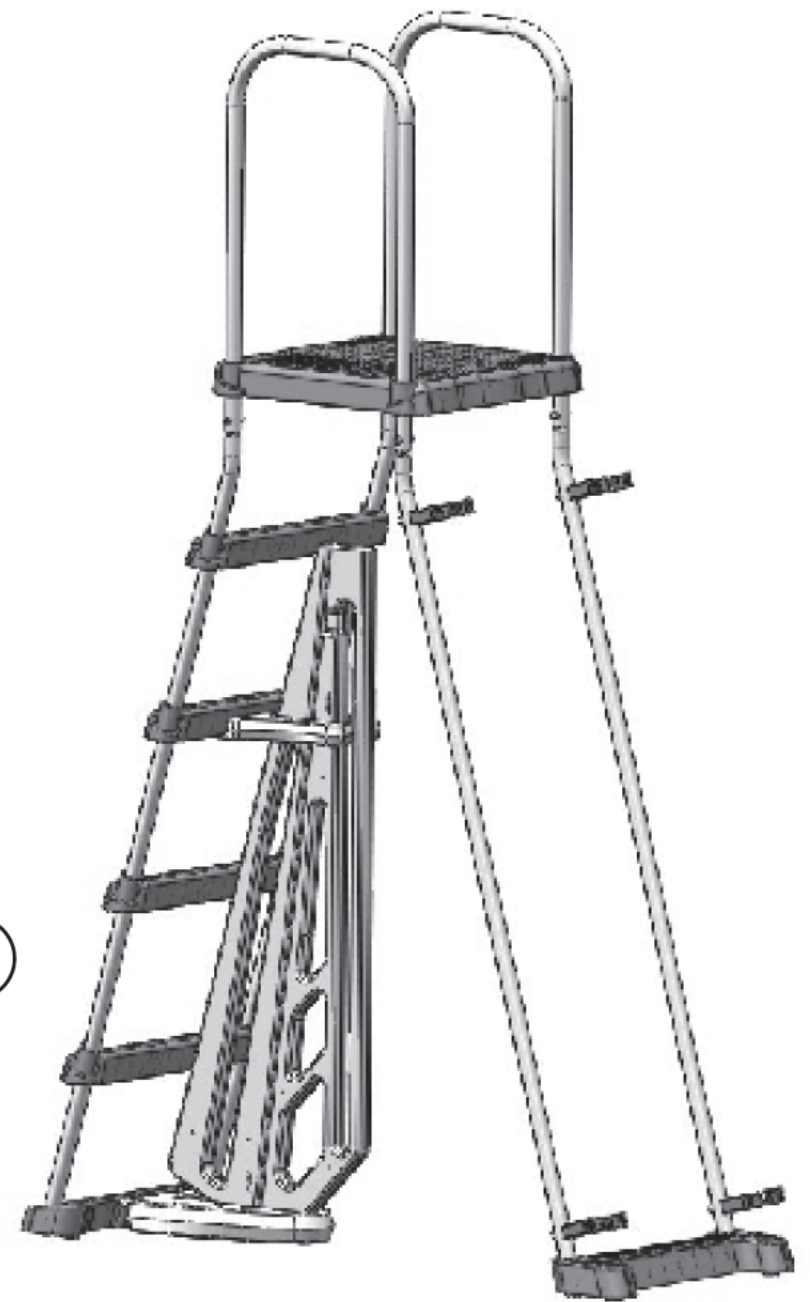


3. Install the barrier as illustrated.

4. Connect inner bottom step and barrier with screws.

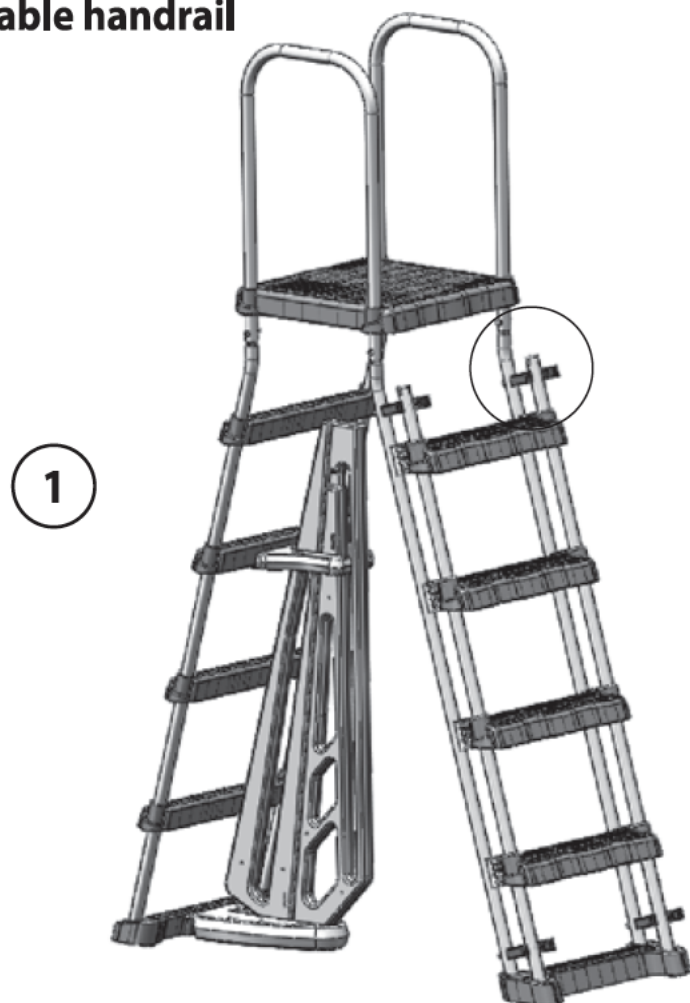


5. Connect inner fourth step and bar with screws see Figure 5. Stand the ladder up and install the base steps. (Note: Make sure you use the correct inner and outer base steps. Please refer to the above diagram.)

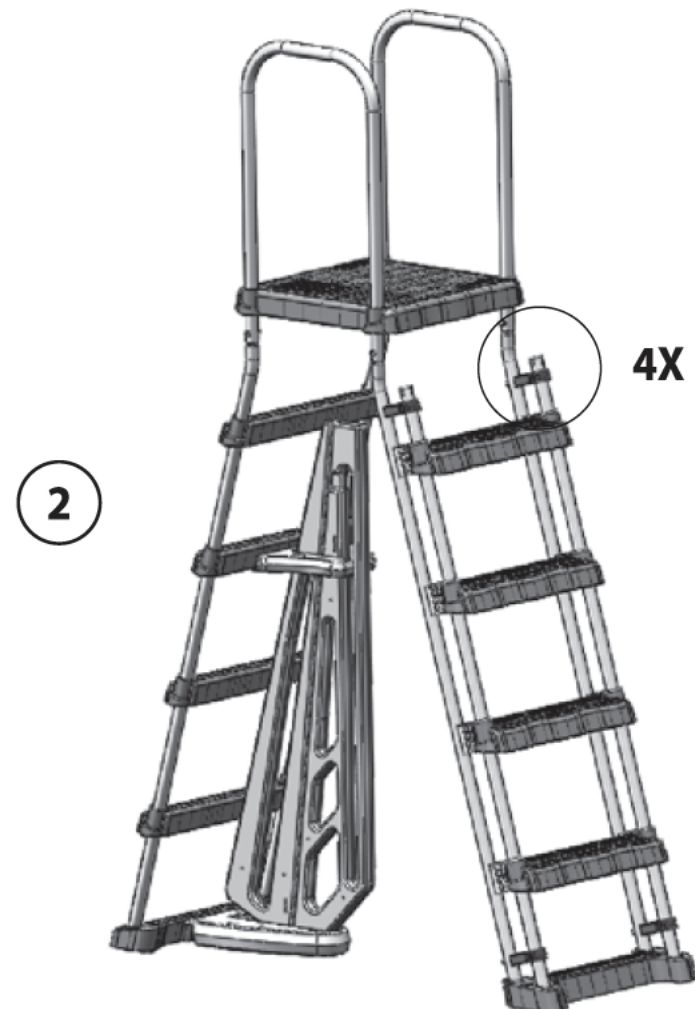


6. Following **Diagram 4** Install the 4 safety clips on the outside ladder rail

5. Install removable handrail



1. Insert the removable handrail into the holes in the bottom step, and lay the removable handrail against outside handrail.



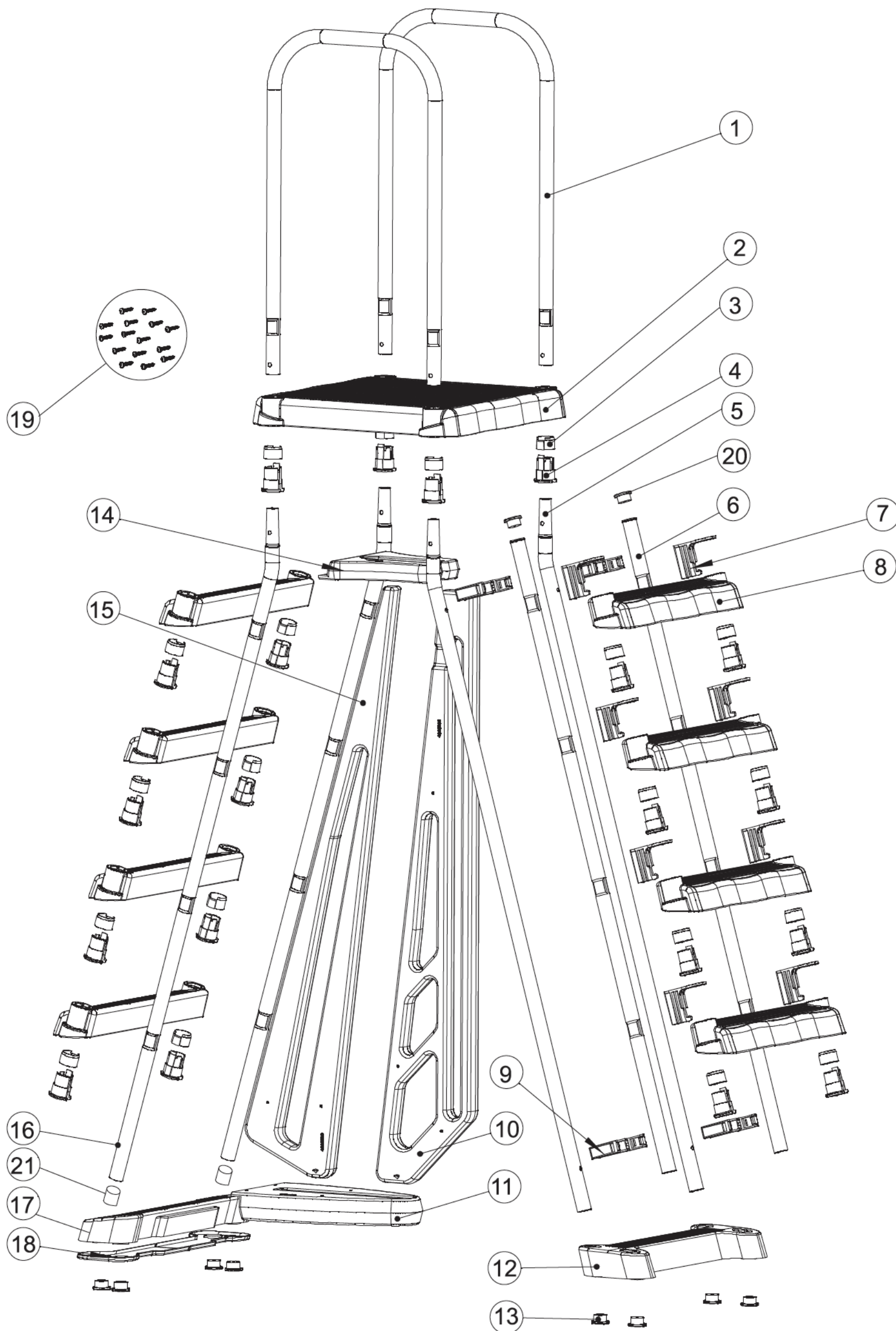
2. Use 4 clips to affix the removable handrail to complete the assembly

87950/87952L Parts Chart

(Reference diagram on back cover)

REF NO.	ILP ITEM NO.	DESCRIPTION	QTY.
1	N/A	Platform Handrail	2
2	87950TOPSTEP	Platform	1
3	87950SLEEVE	Support Compression Collar	20
4	87950CLIP	Support Compression Clip	20
5	N/A	Outside Support Rail	2
6	N/A	Outside Removable Step Rail	2
7	87950BRACE	Bushing, Outside Removable Step Rail	8
8	87950STEP	Step Tread	8
9	87950CON	Safety Clip	4
10	87950OBARRIER	Replacement Outer Entrapment Barrier for 87950	1
11	N/A	Safety Barrier Base	1
12	87950OUTBASE	Bottom Step, Outer	1
13	87950BASE	Anti-Skid Plugs	8
14	N/A	Safety Barrier Cap	1
15	87950IBARRIER	Replacement Inner Entrapment Barrier for 87950	1
16	N/A	Inside Support Rail	2
17	87950INBASE	Bottom Step, Inner	1
18	87950BASEPAD	Inside Step Base Pad	1
19	87950HDWE	Hardware Pack (Screws, Washers, Nuts)	1
20	N/A	White Cap Pipe Stopper	2
21	N/A	Stopper for Support Rail (Black)	2
87950HDWE / Hardware Pack Includes the following:			
	N/A	Hex Head Bolt M6*70	4
	N/A	Cross Recessed Pan Head Screws M6*30	4
	N/A	Screw Nut M6	4
	N/A	Washer M6-Φ12*Φ6.6*1.6	8
	N/A	Cap Nut M6	4
	N/A	Pan Head Self Tapping Screws ST4.2*16-C-H	8

87950/87952L Diagram



HYDROTOOLS™

By **SWIMLINE®**

HYDROTOOLS by Swimline/International Leisure Products, Inc
191 Rodeo Drive, Edgewood, NY 11717 • Tel (631) 254-2155 • www.swimline.com