

#87925

# HYDROTOOLS™

By **SWIMLINE®**



***STAINLESS STEEL***

## **ABOVE GROUND POOL DECK LADDER**

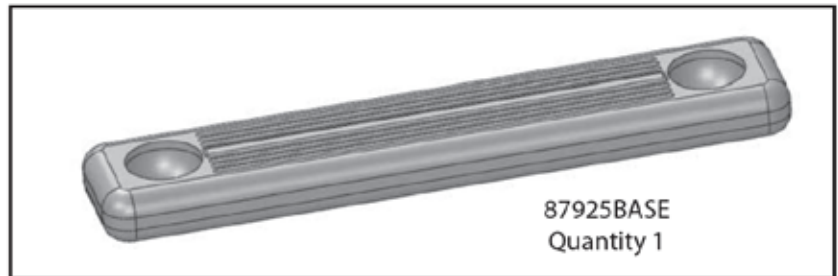
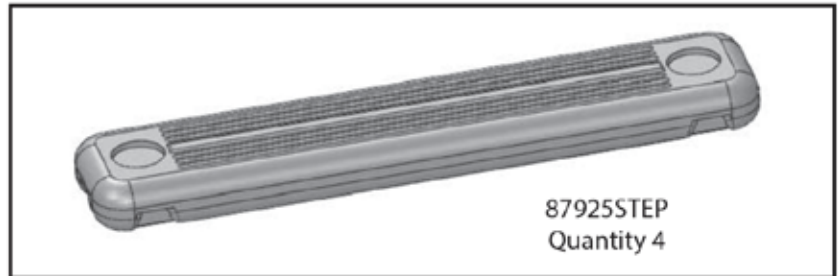
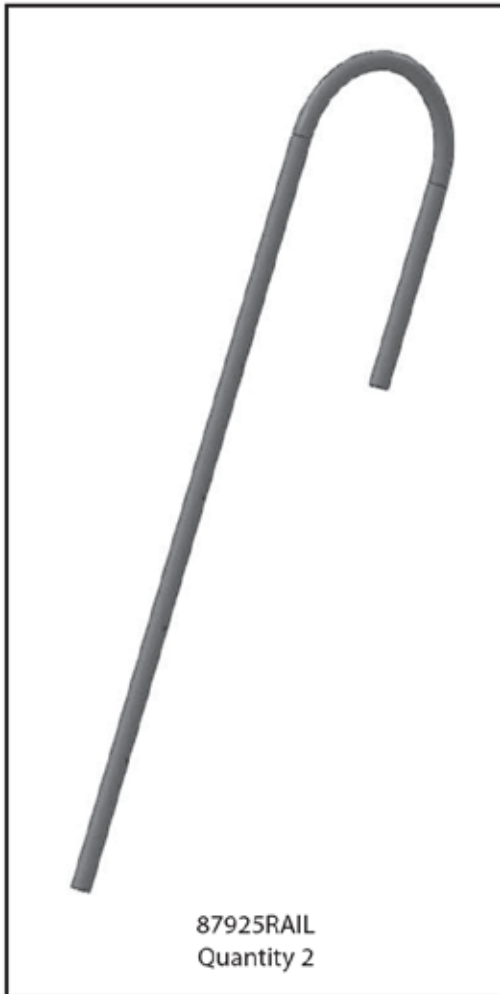
*ASSEMBLY & INSTALLATION INSTRUCTIONS*

**HYDROTOOLS by Swimline/International Leisure Products, Inc**

191 Rodeo Drive, Edgewood, NY 11717 • Tel (631) 254-2155 • [www.swimline.com](http://www.swimline.com)

# PARTS IDENTIFICATION

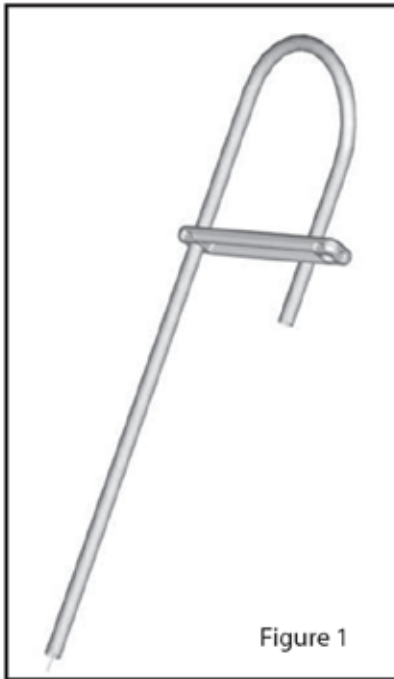
Unpack box and check parts against parts list below.



## PARTS LIST

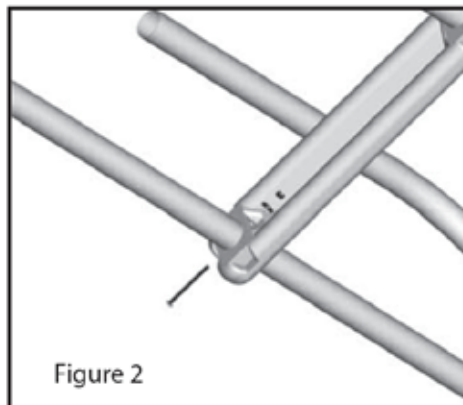
QUANTITY	PART NUMBER	DESCRIPTION
2	87925RAIL	STAINLESS STEEL HAND RAIL
4	87925STEP	LADDER STEPS
2	87925BALL	PIVOT BALLS FOR BASE STEP
1	87925BASE	BOTTOM BASE STEP
1	87925HDWE	HARDWARE SET

# STEP ONE



- Slide 1 of the 4 ladder steps onto one of the stainless steel handrails. See figure 1.
- Make sure that the step treads are facing up.
- If you have any difficulty sliding the step onto the handrail apply a small amount of oil to the handrail.
- Align the holes in the step with the top set of holes on the handrail.
- Secure step to handrail with a bolt and nut. Make sure that the head of the bolt is located on the outside step.

See Figure 2.



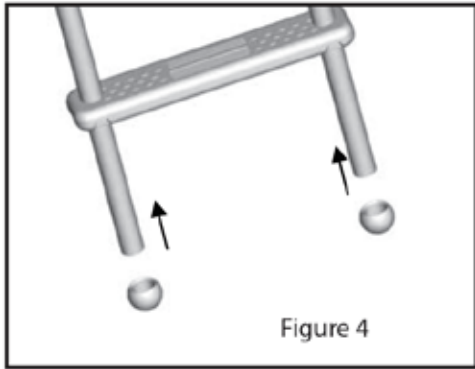
- Slide the second hand rail through the hole on the opposite side of the step. Secure with a nut and bolt.

See Figure 2.

- Slide the remaining 3 steps onto the handrails and secure them with nuts and bolts.

See Figure 3.

## STEP TWO



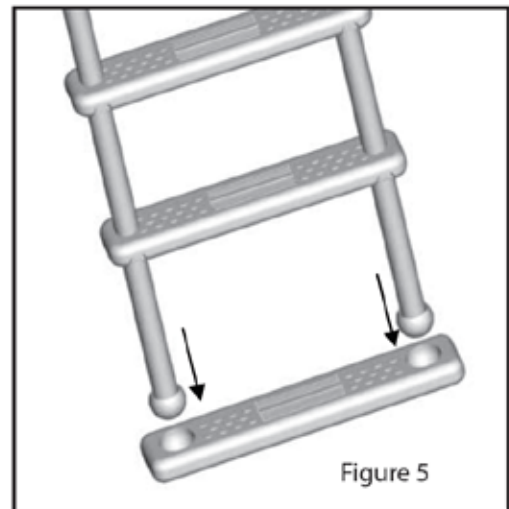
- Slide 1 pivot ball onto the bottom of each handrail.
- Make sure both pivot balls are securely fastened to each handrail.

See Figure 4.

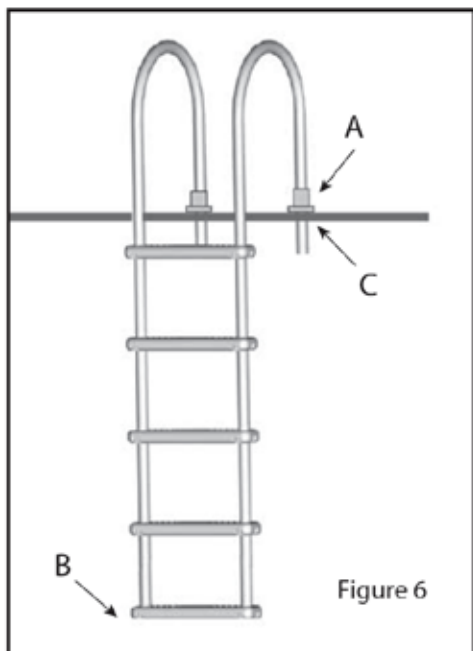
## STEP THREE

- Place the bottom step on the floor facing up.
- Hold the ladder assembly straight up and align the pivot balls with the receivers on the bottom step.
- Push down firmly until both balls are inserted into the step.

See Figure 5.



## STEP FOUR



- Locate ladder in desired position on deck. (A)
  - Make sure base step rests flat against the pool floor. Swivel step if needed to align with pool floor. (B)
  - Mark location of handrails on deck with a pencil.
  - Using a 1-1/2" circular hole saw, drill one hole for each hand rail through deck surface. (C)
  - Secure hand rails to deck using standard deck flanges. (D) (Flanges sold separately HydroTools Items # 8700 or 8702)
  - Slide flanges over each hand rail, insert hand rails through the holes in the deck. Secure flanges to hand rails using set screws.
  - Ladder should be mounted to deck so that ladder rungs are within 3-4" of the pool wall.
- See Figure 6.