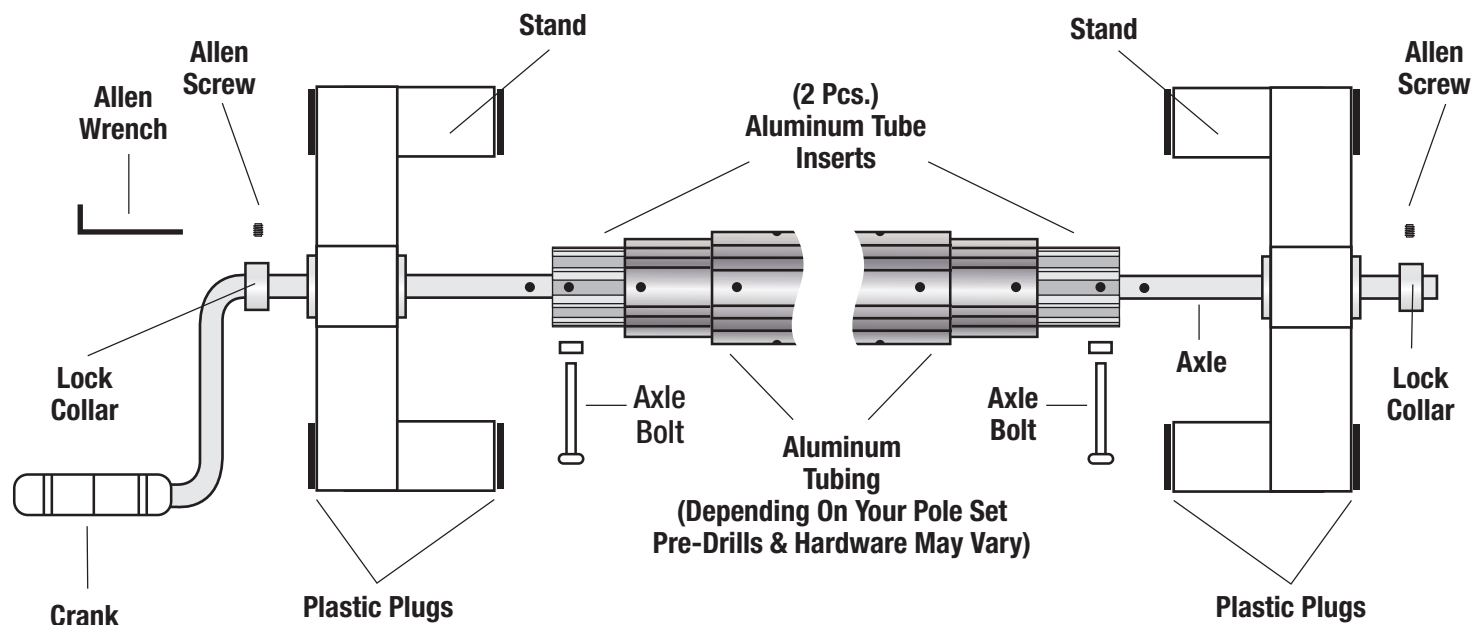


SWIMLINE®  
**HYDROTOOLS™**  
*Solar Reel™*

Item # 56001  
**Commercial Reel System  
 For In Ground  
 Solar Pool Covers**

1. Congratulation on your purchase of our Swimline Hydrotools Commercial Quality Solar Reel™ for In Ground Pools. Please follow the instructions carefully so as to not void our warranty.
2. Please use your solar blanket and reel assembly in the manner it was intended for:
  - a. Your solar blanket is not a safety cover
  - b. Remove the solar blanket and Solar Reel™ assembly from the pool completely before swimming use.
  - c. Do not store the solar blanket on the ground in direct sunlight, as it will burn the lawn
3. **Preparation & Assembly:** Check inventory of all items and assemble as illustrated below:



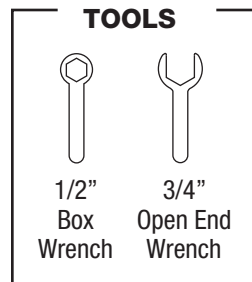
**INCLUDED PARTS LIST**

- (2) Telescopic Adjustable height stands
- (4) Sealed bearings (installed)
- (8) Plastic end caps for stands
- (1) Crank handle with grip & lock collar
- (1) Axle with lock collar
- (2) 3" Aluminum tube inserts
- (2) 3" Axle Bolts with nuts
- (1) Allen key for locking collar
- (8) Rubber feet
- (2) Quick Release Pins
- (1) 1/2" Box Wrench (For Casters)
- (1) 3/4" Open End Wrench (For Casters)
- (8) Casters

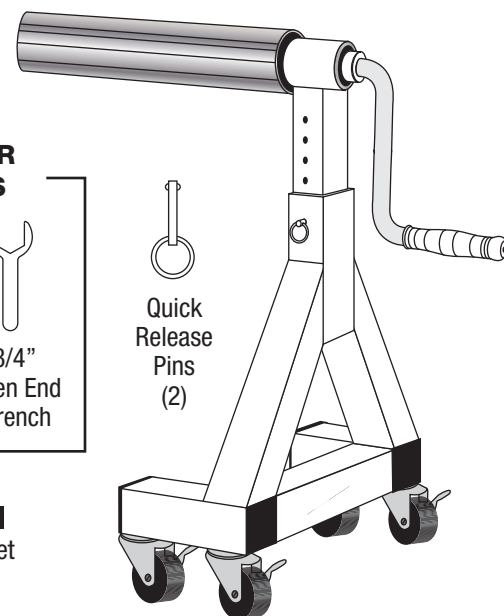
**STRAP KIT**

- (11 Pcs.) Plastic Screw (1 extra piece)
- (21 Pcs.) Plastic Strap Plate (1 extra piece)
- (11 Pcs.) Stainless Steel Self-Drilling Screws (1 extra piece)
- (1 Pc.) Hex Driver Bit
- (10 Pcs.) Fabric Straps (1 extra piece)

**CASTER TOOLS**



Rubber Feet (8)



4. Depending upon the size of your pool you will also require one of the following tube kits: (Tube Assembly is detailed below and on back cover)

**Item #51120 3" Tube Kit**

- Fits up to 12' width pool**  
 (1) 59-1/2" x 2.920" Diameter extruded aluminum shaft  
 (2) 59-1/2" x 2.745" Diameter extruded aluminum shaft  
 (4) 3" Through Bolts  
 (1) Drill Bit

**Item #51160 3" Tube Kit**

- Fits up to 16' width pool**  
 (1) 72" x 2.920" Diameter extruded aluminum shaft  
 (2) 72" x 2.745" Diameter extruded aluminum shaft  
 (4) 3" Through Bolts  
 (1) Drill Bit

**Item #51200 3" Tube Kit**

- Fits up to 20' width pool**  
 (2) 59-1/2" x 2.920" Diameter extruded aluminum shaft  
 (3) 59-1/2" x 2.745" Diameter extruded aluminum shaft  
 (8) 3" Through Bolts  
 (1) Drill Bit

**Part #51164 4" Tube Kit**

- Fits up to 16' width pool For larger pools and/or heavy gauge solar covers**  
 (1) 72" x 3.80" Diameter extruded aluminum shaft  
 (2) 72" x 3.725" Diameter extruded aluminum shaft  
 (6) 4" Through Bolts  
 (2) 6" Long Aluminum Inserts  
 (1) Drill Bit

**Part #51204 4" Tube Kit**

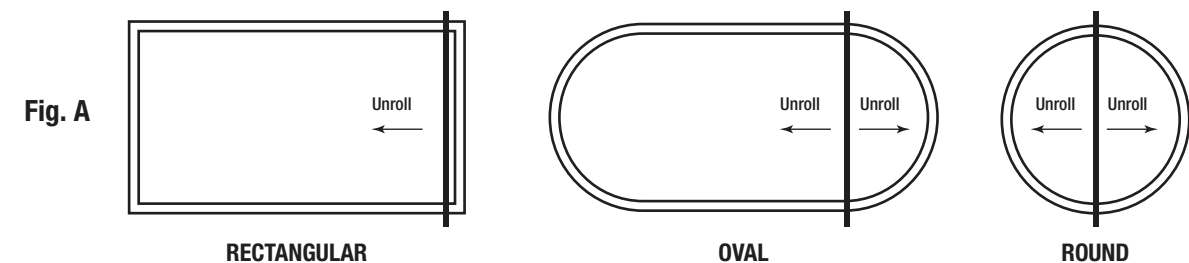
- Fits up to 20' width pool For larger pools and/or heavy gauge solar covers**  
 (2) 59-1/2" x 3.80" Diameter extruded aluminum shaft  
 (3) 59-1/2" x 3.725" Diameter extruded aluminum shaft  
 (10) 4" Through Bolts  
 (2) 6" Long Aluminum Inserts  
 (1) Drill Bit

**Part #51205 5" Tube Kit**

- Fits up to 20' width pool For larger pools and/or heavy gauge solar covers**  
 (2) 59-1/2" x 4.80" Diameter extruded aluminum shaft  
 (3) 59-1/2" x 4.725" Diameter extruded aluminum shaft  
 (10) 5" Through Bolts  
 (2) 6" Long Aluminum Inserts  
 (1) Drill Bit

5. **Positioning Your Solar Reel:**

For Rectangular pools, place top-rail brackets at either end of pool. Secure each bracket with 4 SS screws supplied. For Oval pools, place top-rail brackets at either end of pool where radius begins. Secure each bracket as above. For Round pools, place top-rail brackets at center of pool. Secure each bracket as above. (See Illustrations below)



6. **Trimming Your Solar Blanket:**

- Lay your Solar Blanket (not provided) on top of water.
- IMPORTANT!** Oval & Round Pool owners will need to fold their solar covers at point of placement of brackets! The cover will unroll left and right of brackets & cross pole. Please allow 6 inches more material on length to allow for a fold where straps will be attached for wind onto reel system. (See Fig A above)
- With scissors trim blanket to fit shape of pool. Be sure to clear the inside top rail of pool.

7. **Assembling The Tube Kit:**

All tube kits consist of 6 sided Hexagon shaped aluminum tubing. There are two sizes of tubing, the smaller size nesting into the larger size. All tube kits begin and end with the smaller diameter tubes. The Aluminum tube inserts require **CAREFUL ALIGNMENT!** (See illustration below for proper insertion).

Fig. B

