

MAINTENANCE: DEFLATING, FOLDING, CLEANING, WINTER STORAGE (Continued)

5. Fold the 2 sides into the middle, and then roll it up from the opposite end of the valves (so remaining air can escape from the valves).
 - a. Start again if you feel there is still some air in the tubes.
6. When storing your kayak, keep it in a clean and dry place that is not affected from major variations in temperature and other damaging factors.
 - a. You may store the kayak deflated and rolled up in a bag or assembled and lightly inflated (make sure you do not subject it to deformations).
 - b. Store it away from rodents.

HOW TO REPAIR SMALL PUNCTURES

You can repair small punctures with the included repair kit. Please note that in order for the repair to be successful, the humidity level should be less than 60%, temperature between 65° F/77° F or 18°C/25° C. Avoid making repairs in the rain or in direct sunlight.

1. Clean the damaged area and the corresponding side of the patch with an alcohol based grease remover.
 - a. Allow for it to dry for 5 minutes.
2. Apply 3 thin layers of glue on both the patch and the damaged area.
 - a. Allow for it to dry for 5 minutes between layers until the glue feels tacky.
3. When the third layer of glue is dry, apply the patch without pressing and adjust the position if required, press the air bubbles which may have formed under the patch by smoothing the patch with a round object such as a spoon, do this procedure by starting in the center of the patch and working towards the outside.
 - a. Clean the excess glue with an alcohol based solvent.
4. Drying Time: 12 hours.

ATTENTION!

- Perform all of your repairs in a well-ventilated area.
- Avoid inhaling glue vapors or swallowing.
- Avoid contact of glue with skin or the eyes.
- Keep all repair materials (glue, solvents, etc.) out of children's reach.

IF YOU HAVE ANY QUESTIONS OR ISSUES WITH YOUR SOLSTICE PRODUCT, DO NOT REFER THEM TO THE RETAILER. WE ARE THE EXPERTS AND ARE HERE TO HELP. PLEASE CONTACT US DIRECTLY AT (631) 254-2155 or INFO@SWIMLINECORP.COM. HAVE YOUR PRODUCT NAME AND MODEL NUMBER AVAILABLE. WE WILL TAKE CARE OF ANY ISSUES OR QUESTIONS DIRECTLY.



International Leisure Products, Inc.

191 Rodeo Drive
Edgewood, NY 11717
Tel (631)254-2155



**Rogue 29900
1-2 Person Convertible Kayak
Owner's Manual**



International Leisure Products, Inc.

191 Rodeo Drive
Edgewood, NY 11717
Tel (631)254-2155

We thank you for your purchase of our **SOLSTICE KAYAK**. We take pride in bringing you a quality product which will offer you years of enjoyment. Your **SOLSTICE KAYAK** is an investment which deserves your care and attention. This manual has been compiled to help you to operate your product with safety and pleasure. It contains details of the product, it's equipment, and information on it's operation and maintenance. Read it carefully and familiarize yourself with the kayak before using it in order to ensure safe use and prevent accidents. If you re-sell the craft, please hand this manual over to the buyer.

The warnings below are advisories relative to various types of situations. Please observe them.

CAUTION!

Denotes an imminent hazard which will result in severe injury if you do not comply with the instructions

WARNING!

Reminds you of safety measures which must be observed. Denotes also unsafe practices which could result in injury or product or property damage if you do not comply with the instructions.

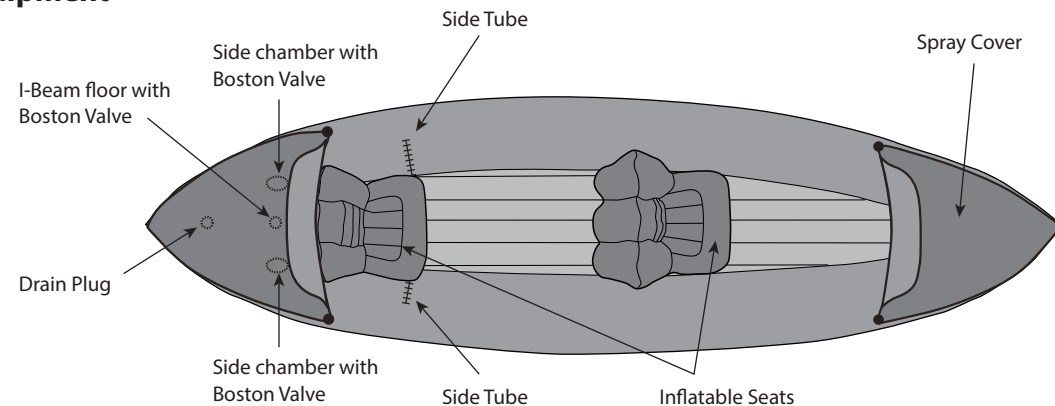
CAUTION!

It is the owner's responsibility to make sure that all users will carefully read and follow the manual and instructions for the safe operation of this product. Observe all local and national laws. Always wear a Coast Guard approved Personal Flotation Device (PFD). Please observe carefully the information on the capacity plate which is printed on the item.

TECHNICAL SPECIFICATIONS

Model	Length Inflated Approx.	Width Inflated Approx.	Weight Lbs.	Person(s) Capacity	Max Load Capacity
#29900	10' 6"	33"	22 lbs.	2	360 lbs.

#29900 Equipment



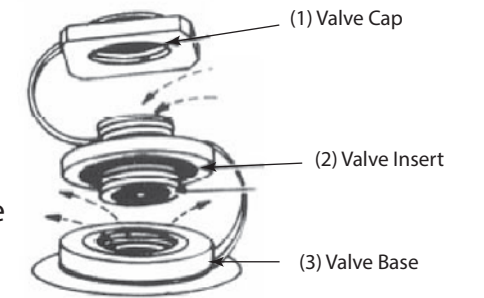
ASSEMBLY INSTRUCTIONS/INFLATION

CAUTION!

Do not use sharp tools or objects! Any use of an air compressor will damage your product and automatically void all warranties. If item was stored at a temperature below 0°C / 32°F, leave it at 20°C / 68°F for 12 hours before unfolding. Inflate it with an inflator from Solstice or any inflator designed for inflatable boats, rafts, pool floats, air beds, camping mattresses, and other low pressure inflatables. These types of inflators will have a hose and adapters to fit the valves on this product. Choose a smooth and clean surface to unfold your product.

1. Kayak Is Equipped With Two Different Types Of Valves:

- a. Boston valve(s) – please see opposite figure
 - i. Unscrew the valve cap (1).
 - ii. Screw the valve insert (2) onto its base (3)
 - iii. Check that the valve cap stays accessible.
- b. Push-In Valve(s):
 - i. Pull the valve out slightly and remove the plug from the valve, inflate the chamber by using the adapter of the inflator which fits the valve.
 - ii. Close the valve and press it into the air chamber.



2. Inflate The Kayak:

- a. Insert the pump hose end piece and inflate it until you reach the required pressure (see step 3).
- b. After inflation, tighten all valve caps.
- c. A slight air-leak before tightening the valve cap is normal.
- d. Firmly tighten the valve cap to insure the elimination of any air leaks.

3. Maximum Air Pressure:

- a. Add air until the boat is free of wrinkles and feels firm to the touch.
- b. The correct pressure for this item is: 0.06 bar (1 PSI).
 - i. Do not exceed it.

4. Place the inflated seats into the kayak.

- a. Seats can be arranged for one or two people.
- b. Arrange in a manner to properly balance the kayak.

WARNING!

If you leave your product exposed to the hot sun check the pressure and deflate it slightly, otherwise the material can become overstretched.

WARNING!

- Beware of offshore winds and currents.
- Make a 'Float Plan', inform others of your route and expected return time.
- Get informed on local regulations and hazards related to this sport or water activities.
- Learn about your canoeing area. Ask locals about tides and currents.
- Before using the product, please check it carefully.
- Be careful that you do not over estimate your strength, your endurance or your skill.
- Be careful never to under estimate the forces of nature.
- Do not exceed the authorized number of persons or weight.
- Avoid all contact between the buoyancy tubes and sharp objects or aggressive liquids (such as solvents & acids)
- Danger of suffocation. Keep plastic packing bags away from children.

MAINTENANCE: DEFLATING, FOLDING, CLEANING, WINTER STORAGE

1. Remove oars/paddles and other accessories

2. Deflate:

- a. Unscrew the Boston Valve inserts.
- b. Open the push-in valves. Insert a small plastic straw into the valve and past the compression flap to allow air to escape.

3. Clean and check the kayak and accessories thoroughly after each use.

4. Rinse item thoroughly; making sure to remove any residues of salt if used in salt water.

- a. Use a mild soapy solution; do not use detergents or any type of silicone based products.
- b. Make sure the product is completely dry before putting it away.