



***PROFILE
DESIGN*** 

PAD WEDGES

REVISION 01-03-16-2021

INTRODUCTION

Thank you for purchasing this set of Profile Design Aerobar Pad Wedges.

Please read these instructions thoroughly before attempting to install this item. Proper installation is required for compliance with Profile Design's warranty policy. If you are not familiar with installation of bicycle accessories, please seek the assistance of your local Profile design dealer by logging on to www.profile-design.com and using "dealer search" or by calling Profile Design's customer service number p.# 888.800.5999.

Note to Dealers: If you install this product for the consumer, please provide him/her with this owner's manual after installation.

Tools and materials required:

- Grease such as Finishline Premium Grease
- 4mm Hex wrench
- 5mm Hex wrench

Your Aerobar Wedge kit should contain:

- Two (2) Alloy wedges (10° or 15°)
- Four (4) M5x15 Steel bolts

Components compatible with this Wedge

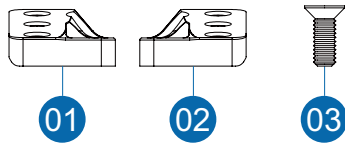
- Any Profile Design Armrest
- Other brand aerobars with bolt spacing from 13mm to 26mm

If anything is missing from the wedge kit please contact your dealer.

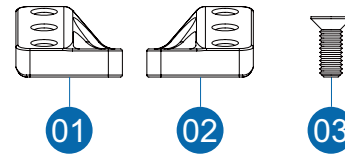
WARNING: Periodically check the Wedge for damage, particularly for cracks or scratches in the surface that could lead to degradation and weakening of the base material. Replace any component on which you notice any damage from use or accident.

COMPONENT LIST

Pad Wedge - 10 degree



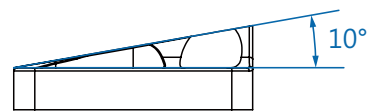
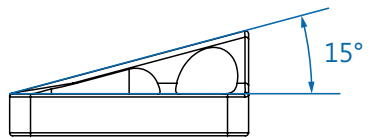
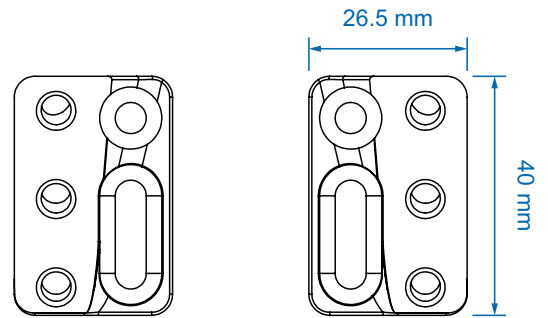
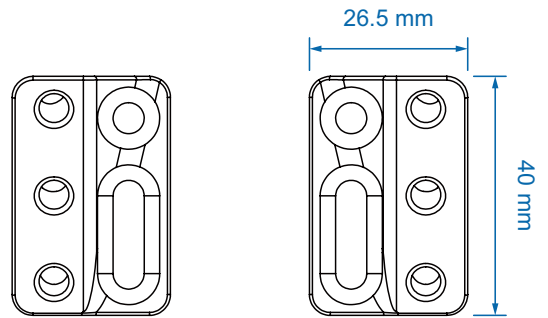
Pad Wedge - 15 degree



Ref.#	Part.#	QTY. Req.	Part Description
1	200068	1	Pad Wedge - 10 degree BK Left (A)
2	200069	1	Pad Wedge - 10 degree BK Right (B)
3	313600	4	Bolt - M5x15 FHB w/Nylok Stainless (SUS304)

Ref.#	Part.#	QTY. Req.	Part Description
1	200070	1	Pad Wedge - 15 degree BK Left (A)
2	200071	1	Pad Wedge - 15 degree BK Right (B)
3	313600	4	Bolt - M5x15 FHB w/Nylok Stainless (SUS304)

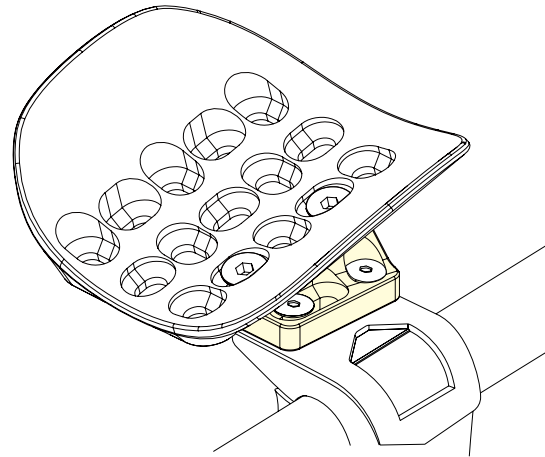
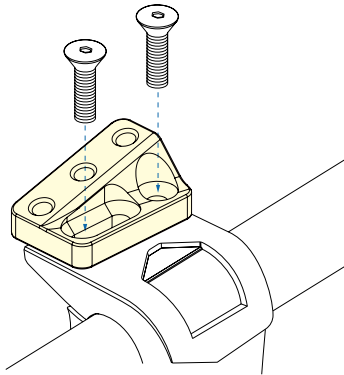
PART DRAWINGS



INSTALLATION INSTRUCTIONS

1. Remove the armrest that is fitted to the aerobar
2. Apply a light coat of grease on the aerobar bracket where it will interface with the pad wedge.
3. Fasten the pad wedge to the aerobar bracket using the M5x15mm bolts with a 4mm hex wrench.
 - If the M4x15mm bolts are not the correct length for your aerobar you will need to source the correct length to ensure safe installation.
4. Use a torque wrench to tighten the bolts to 5Nm.
5. Fit your chosen Profile Design Armrests to the Wedges using the bolts that are supplied with the armrests.
 - Note that the width of the armrests should not exceed the maximum width of the standard armrests for the aerobar.

Warning: Profile Design have not safety tested the aerobars of other brands. Therefore it is vital that you follow the other manufacturers specifications for bolt length and armrest width.



 **WARNING**

- Profile Design Worldwide Two Year Limited Warranty.
- Profile Design, LLC (distributor) warrants to the original retail purchaser ("you") that the Profile Design product for which you received this warranty is free from defects in material and workmanship for (2) two years from the date of original retail purchase. For more details on this warranty, its exclusions and/or how to make a claim under the warranty please call +1 310.747.0085 extension 161 or visit www.profile-design.com/pages/warranty



2677 El Presidio Street
Long Beach, CA 90810
Ph: 310-884-7756

www.profile-design.com

© Profile Design LLC