



**PROFILE  
DESIGN**



---

**HSF FACEPLATE**

VERSION 01-03-05-2020

## INTRODUCTION

**Thank you for purchasing this Profile Design HSF Stem Faceplate. These instructions apply to the 1/Seventeen stem and HSF Aeria Bottle**

Please read these instructions thoroughly before attempting to install this item. Proper installation is required for compliance with Profile Design's warranty policy. If you are not familiar with installation of Aerobars or their accessories, please seek the assistance of your local Profile design dealer by logging on to [www.profile-design.com](http://www.profile-design.com) and using "dealer search" or by calling Profile Design's customer service number p.# 888.800.5999.

**Compatibility: This product is only compatible with the Profile Design 1/Seventeen Stem in the downwards orientation.**

### Tools and materials required:

- 3mm Hex Wrench
- 4mm Hex Wrench
- Torque Wrench with 4mm Hex bit
- Assembly compound such as Finishline Fiber Grip™
- Threadlocker such as Loctite® Threadlocker Blue 242®

### Your Stem Faceplate kit should contain:

- One (1) stem faceplate (aluminium)
- Four (4) M5x18mm bolts (steel)

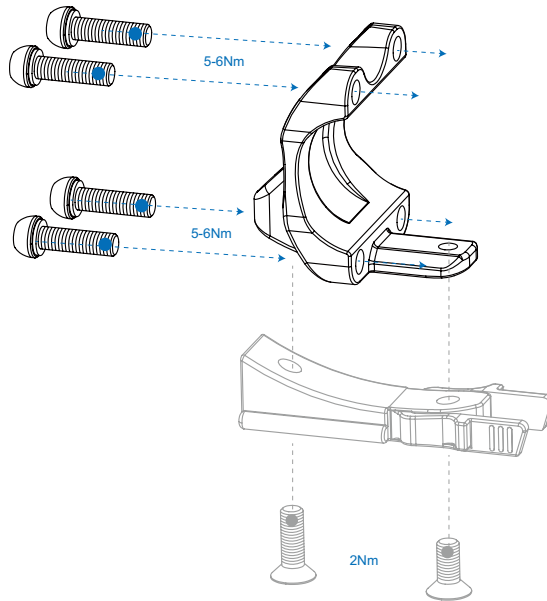
### Optional accessories compatible with this Aerobar

- Profile Design HSF Aeria Bottle.

**If anything is missing from the Stem Faceplate kit please contact your dealer.**

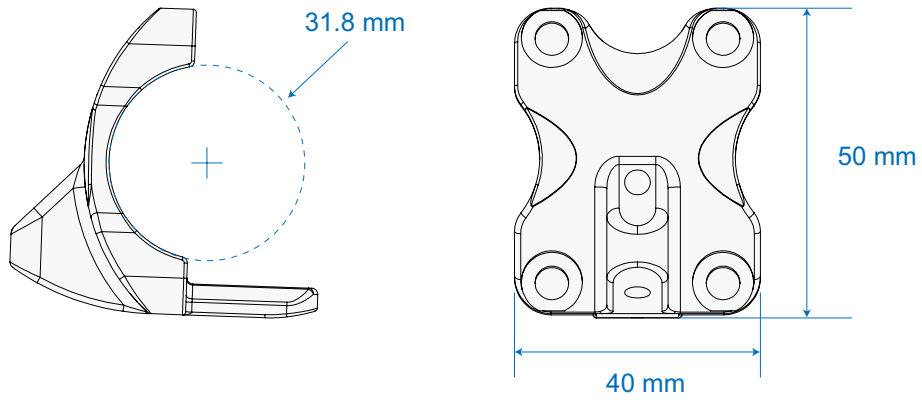
# COMPONENT LIST

QTY.Req.	Part#	Ref.#	Part Description
1	323200	1	Stem Cap - 1/Seventeen HSF Aeria Stem Alloy Flat BK w/BK Logo
4		2	Bolt - M5*18



Ref.#	Location	Bolt Size	Torque
1	Faceplate bolts	M5*18	5-6Nm
2	HSF mount bolts	M5*12 / 16	2Nm

## PART DRAWINGS



# INSTALLATION INSTRUCTIONS

## Attaching the Faceplate

### If the stem is already mounted on a bike

1. First measure and record the angle the basebar is set at.
  - Or use a marker to draw an alignment mark on the basebar and stem body.
2. Remove the existing faceplate from the stem body .
3. Apply assembly paste to the inside faces of the bar clamp.
4. Install the HSF stem faceplate on the stem body using the 4mm hex wrench to tighten the bolts until snug.
5. Check that the angle of the basebar matches the original .
6. Use the torque wrench with 4mm hex bit to tighten the bolts to 5Nm~6Nm.
  - If using a basebar that is not made by Profile Design, check the maximum torque specification from the basebar manufacturer.

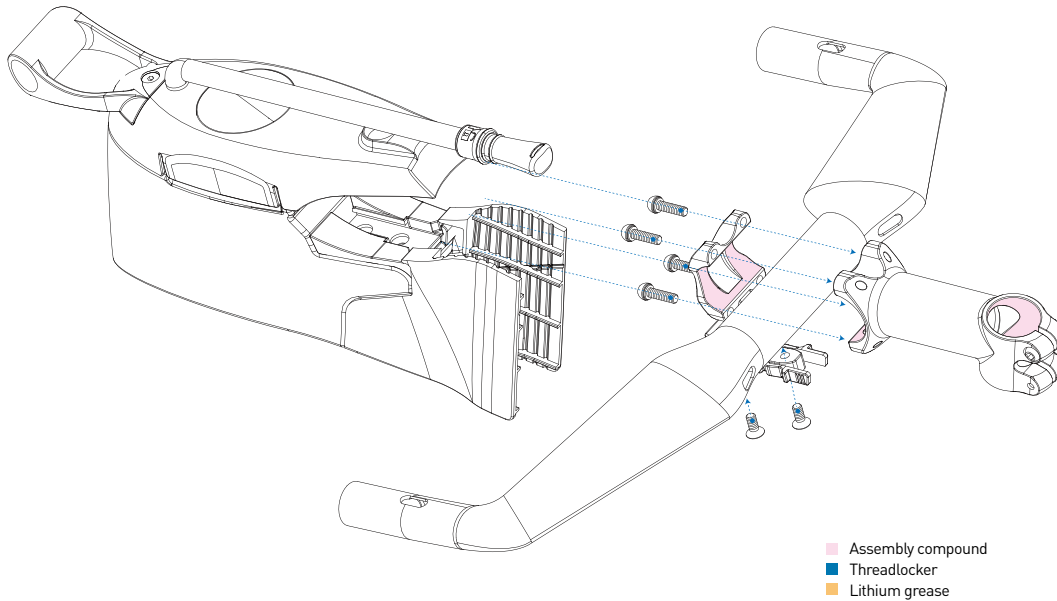
## If this a new installation

1. Attach the stem to the fork steerer.
2. Install the headset compression cap, check the maximum torque specification from the fork and headset manufacturer.
3. Align the stem and use the 4mm hex wrench to tighten the 2 rear bolts until snug.
4. Remove the existing faceplate from the stem body.
5. Apply assembly paste to the inside faces of the bar clamp.
6. Install the HSF stem faceplate on the stem body using the 4mm hex wrench to tighten the bolts evenly until snug.
7. Set the angle of the basebar.
8. Use the torque wrench with 4mm hex bit to tighten all the bolts to 5Nm~6Nm.
  - If using a basebar and fork that is not made by Profile Design, check the maximum torque specification from the basebar and fork manufacturer.

**WARNING: Overtightening the clamp may lead to cracking and possible failure of the bar.**

## Attaching HSF Aeria mount

9. Check that the mount bolts have threadlocker tape applied, if not – apply liquid threadlocker.
10. Install the mount using the 3mm hex wrench – the clip should be to the rear of the mount.
11. Tighten the bolts using the torque wrench with 3mm hex bit.
12. Follow the instructions for the HSF Aeria to install the bottle.



 **WARNING**

- Profile Design Worldwide Two Year Limited Warranty.
- Profile Design, LLC (distributor) warrants to the original retail purchaser ("you") that the Profile Design product for which you received this warranty is free from defects in material and workmanship for (2) two years from the date of original retail purchase. For more details on this warranty, its exclusions and/or how to make a claim under the warranty please call +1 310.747.0085 extension 161 or visit [www.profile-design.com/pages/warranty](http://www.profile-design.com/pages/warranty)



2677 El Presidio Street

Long Beach, CA 90810

Ph: 310-884-7756

[www.profile-design.com](http://www.profile-design.com)

© Profile Design LLC