



**PROFILE
DESIGN**

DRV SIZER BAR

VERSION 01-03-16-2020

INTRODUCTION

Thank you for purchasing this adjustable width Profile Design Sizer Bar. This bar is compatible with a 31.8mm stem clamp. It is not compatible with any clip on aerobar.

This bar is for bike fitting purposes only.

It is not to be used for riding on the road or track. It may only be used on an indoor trainer or adjustable fitting bike.

Please read these instructions thoroughly before attempting to install this item. Proper installation is required for compliance with Profile Design's warranty policy. If you are not familiar with installation of handlebars or their accessories, please seek the assistance of your local Profile design dealer by logging on to www.profile-design.com and using "dealer search" or by calling Profile Design's customer service number.

Tools and materials required:

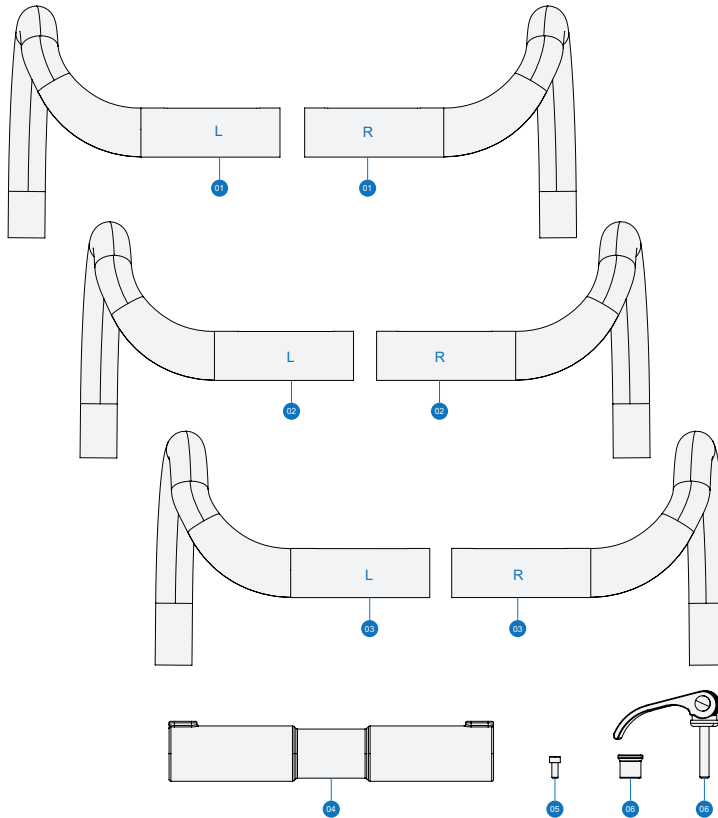
- 3mm Hex Wrench
- Lithium grease

Your bar kit should contain:

- One (1) central sleeve (aluminium)
- Two (2) quick release levers
- Four (4) M4x0.7x10SHB bolts
- Two (2) DRV105 handlebar drops (right and left)
- Two (2) DRV120 handlebar drops (right and left)
- Two (2) DRV135 handlebar drops (right and left)

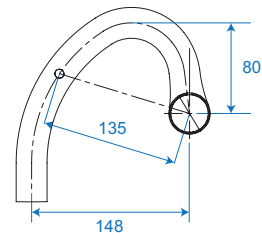
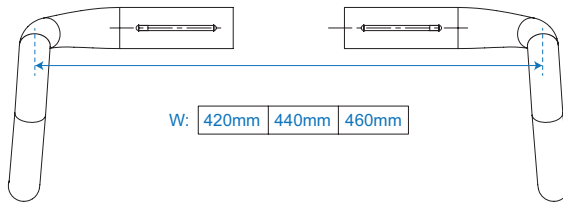
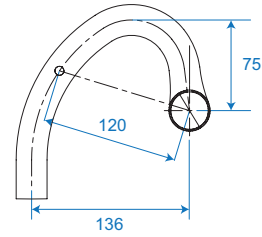
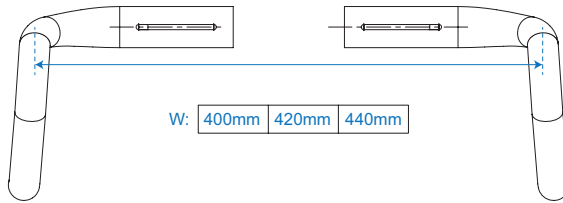
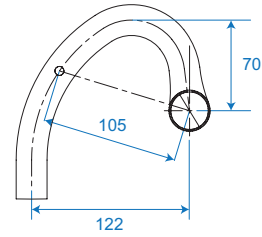
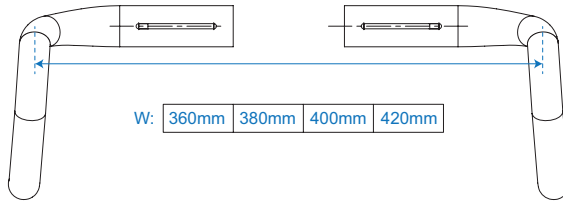
If anything is missing from the bar kit please contact your distributor.

COMPONENT LIST



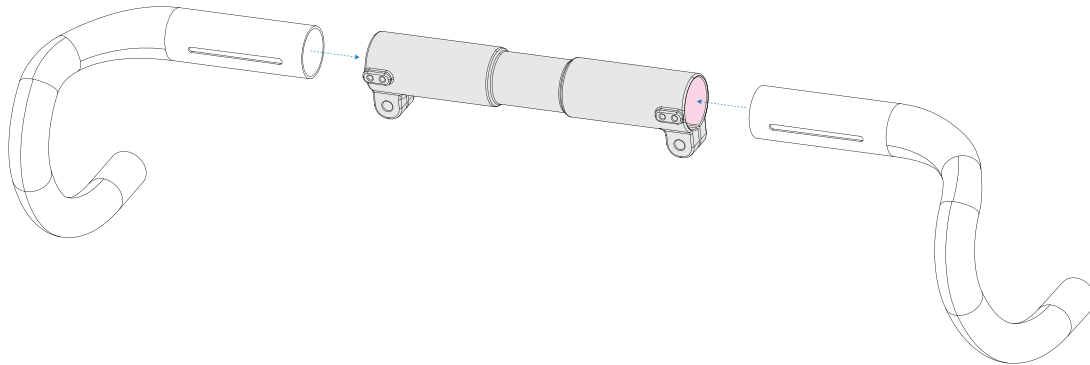
QTY. Req.	Part#	Ref.#	Part Description
1	433205	1	DRV / SIZER Bar 105 Flat Black (R+L)
1	433206	2	DRV / SIZER Bar 120 Flat Black (R+L)
1	433207	3	DRV / SIZER Bar 135 Flat Black (R+L)
1	189373	4	Bracket - DRV / SIZER Bar Central Clamp Flat Black
4	313524	5	Bolt - M4*10 SHB
2	189374	6	Bracket - Quick-release M6*60L/56A Black

PART DRAWINGS

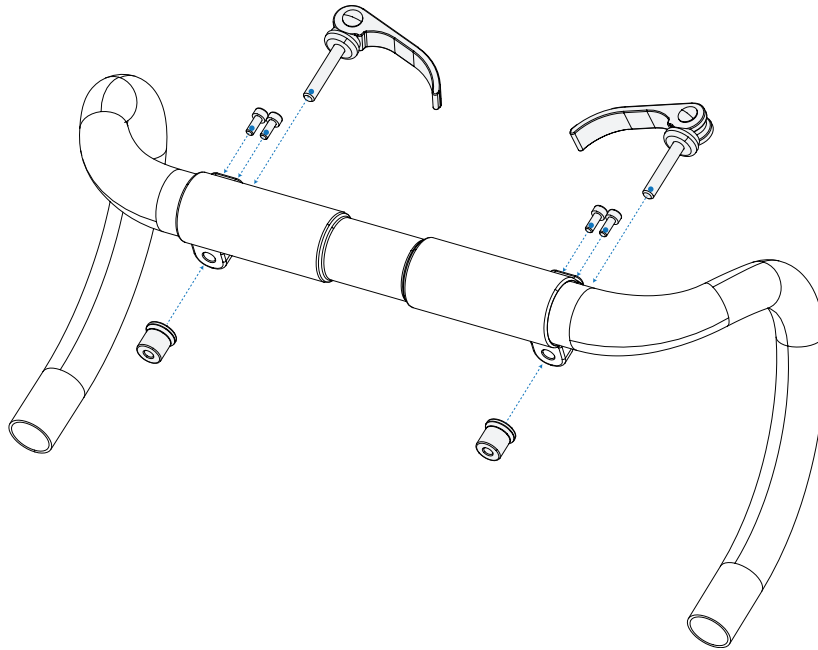


INSTALLATION INSTRUCTIONS

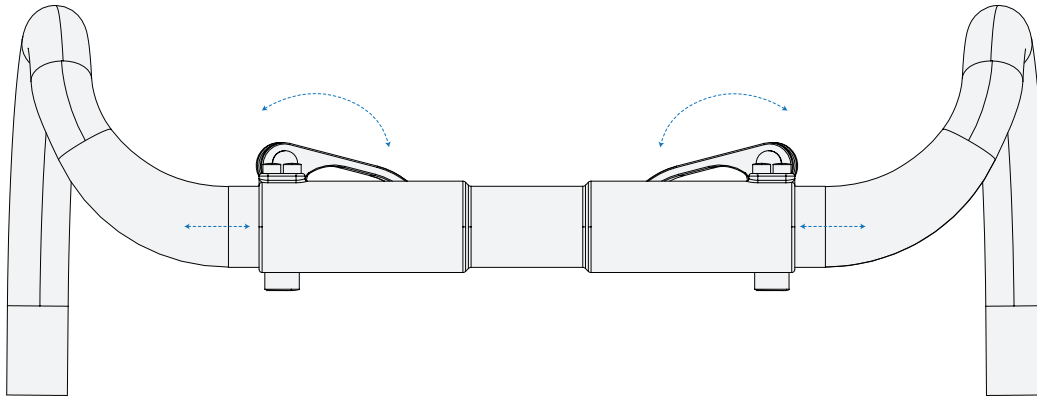
1. Apply a thin coating of Lithium grease to the inside faces of the central sleeve.
2. Insert the quick release levers with the lever to the front of the bar.
3. Insert the desired handlebar ends with the slot lining up with the bolt holes in the front of the sleeve.



4. Insert the M4x0.7x10SHB bolts into the sleeve, passing all the way into the bar. These bolts are to prevent rotation of the bar during the fit.
5. Set the bars to the desired width.
6. Close the quick release levers with the lever oriented at a downwards angle.



7. Install the bars on a fit bike or riders bike by clamping the central 31.8mm section and tighten the stem bolts to 6nm.
8. To change the bar width during a bike fit just open the quick release, reset the width and close the levers again.
9. To change the bar shape during a bike fit open the quick release levers, wind the anti-rotation bolts out far enough that the bar can be extracted then repeat steps 3 to 6.



 **WARNING**

- Profile Design Worldwide Two Year Limited Warranty.
- Profile Design, LLC (distributor) warrants to the original retail purchaser ("you") that the Profile Design product for which you received this warranty is free from defects in material and workmanship for (2) two years from the date of original retail purchase. For more details on this warranty, its exclusions and/or how to make a claim under the warranty please call +1 310.747.0085 extension 161 or visit www.profile-design.com/pages/warranty



2677 El Presidio Street

Long Beach, CA 90810

Ph: 310-884-7756

www.profile-design.com

© Profile Design LLC