



**PROFILE  
DESIGN** 

---

**BASEBAR**

REVISION 01-12-22-2020

# INTRODUCTION

**Thank you for purchasing this Profile Design Basebar. These instructions apply to the basebars listed below, combined with any Profile Design clip on aerobar and stem:**

- WING/20c
- WING/c
- WING/10A
- WING/A
- OZERO TT

Please read these instructions thoroughly before attempting to install this item. Proper installation is required for compliance with Profile Design's warranty policy. If you are not familiar with installation of Aerobars or their accessories, please seek the assistance of your local Profile design dealer by logging on to [www.profile-design.com](http://www.profile-design.com) and using "dealer search" or by calling Profile Design's customer service number p.# 888.800.5999.

**Note to Dealers: If you install this product for the consumer, please provide him/her with this owner's manual after installation.**

## Tools and materials required:

- 5mm Hex Wrench
- 4mm Hex Wrench
- Torque Wrench for a 5mm and 4mm Hex fitting
- Assembly compound such as Finishline Fiber Grip™
- Grease such as Finishline Premium Grease
- Threadlocker such as Loctite® Threadlocker Blue 242®
- Cutting guide

## **Your Basebar kit should contain:**

- One (1) basebar (aluminium or Carbon)
- Cable hole plugs (carbon bars only)

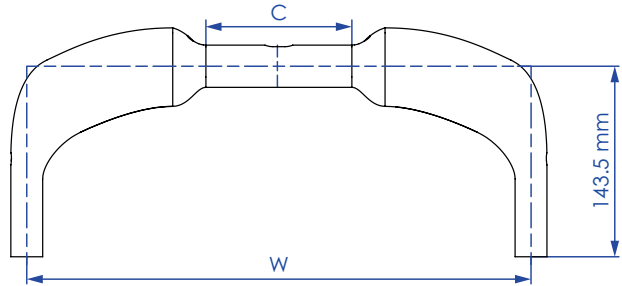
## **Components compatible with this Basebar**

- Profile Design Sonic Bracket or Sonic Complete Aerobar
- Profile Design Supersonic Bracket or Supersonic Complete Aerobar
- Profile Design Subsonic Bracket or Subsonic Complete Aerobar
- Profile Design Neosonic Bracket or Supersonic Complete Aerobar
- Profile Design Hypersonic Bracket or Subsonic Complete Aerobar
- Other Profile Design clip on aerobars with a 31.8mm basebar clamp
- Profile Design Aerobar Bracket Riser Kit (15mm - 70mm options)
- Profile Design 38.1mm Stems
- Profile Design ABS brake levers or 3/One Series
- Profile Design Bar tape

**If anything is missing from the Basebar kit please contact your dealer.**

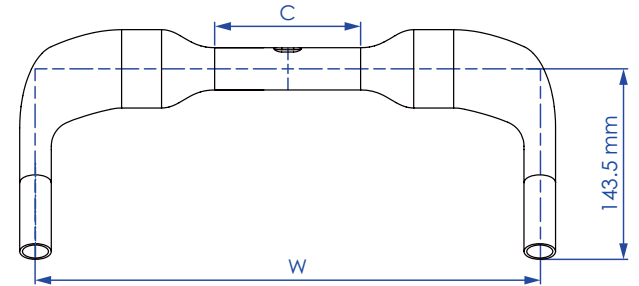
**Periodically check the Basebar for damage, particularly for scratches through the anodised or painted coating that could lead to degradation and weakening of the base material. Replace your Aerobar if you notice any damage from use or accident.**

# PART DRAWINGS



WING/20c

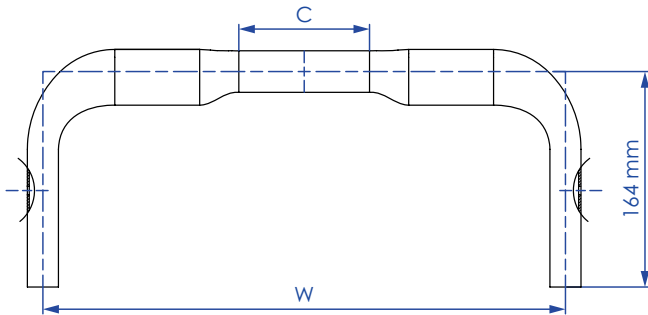
W	C
380	110
400	110
420	110



WING/c

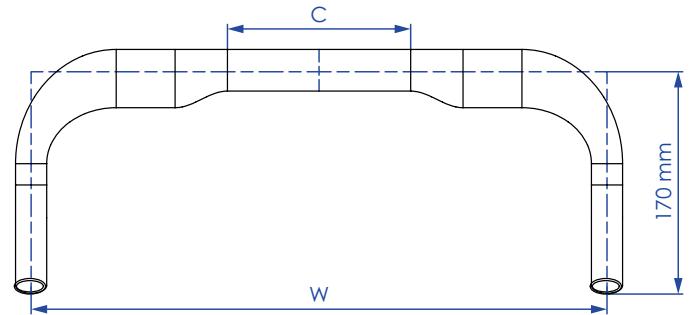
W	C
380	110
400	110
420	110

# PART DRAWINGS



WING/10A

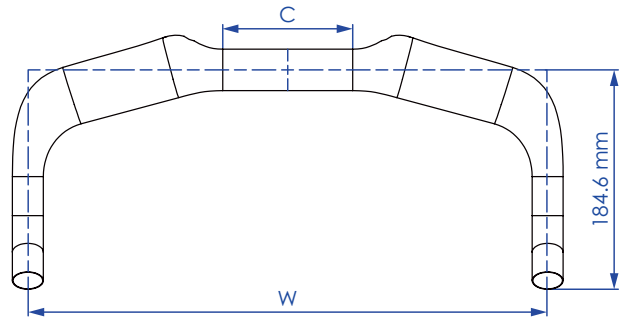
W	C
360	100
380	100
400	100
420	100
440	100



WING/A

W	C
400	100
420	120
440	140
460	160

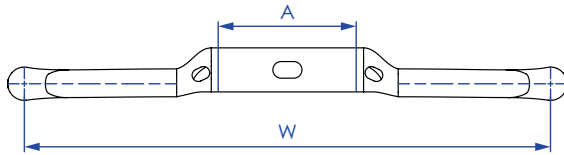
# PART DRAWINGS



OZERO TT

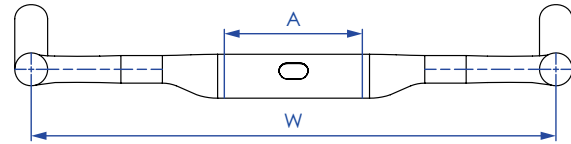
W	C
380	80
400	100
420	120
440	140

# PRODUCT SPECIFIC SETUP LIMITATIONS



WING/20c

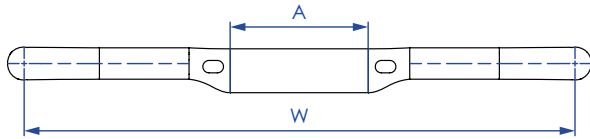
W	A
380	100
400	100
420	100



WING/c

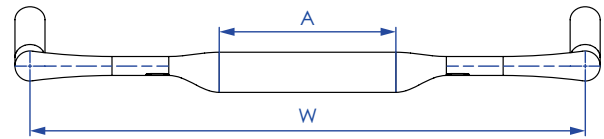
W	A
380	100
400	100
420	100

# PRODUCT SPECIFIC SETUP LIMITATIONS



WING/10A

W	A
360	100
380	100
400	100
420	100
440	100

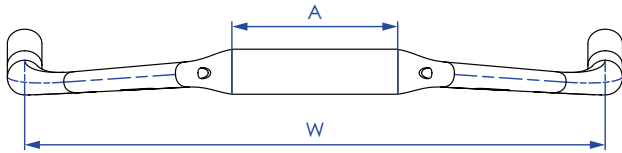


WING/A

W	A
400	100
420	120
440	140
460	160



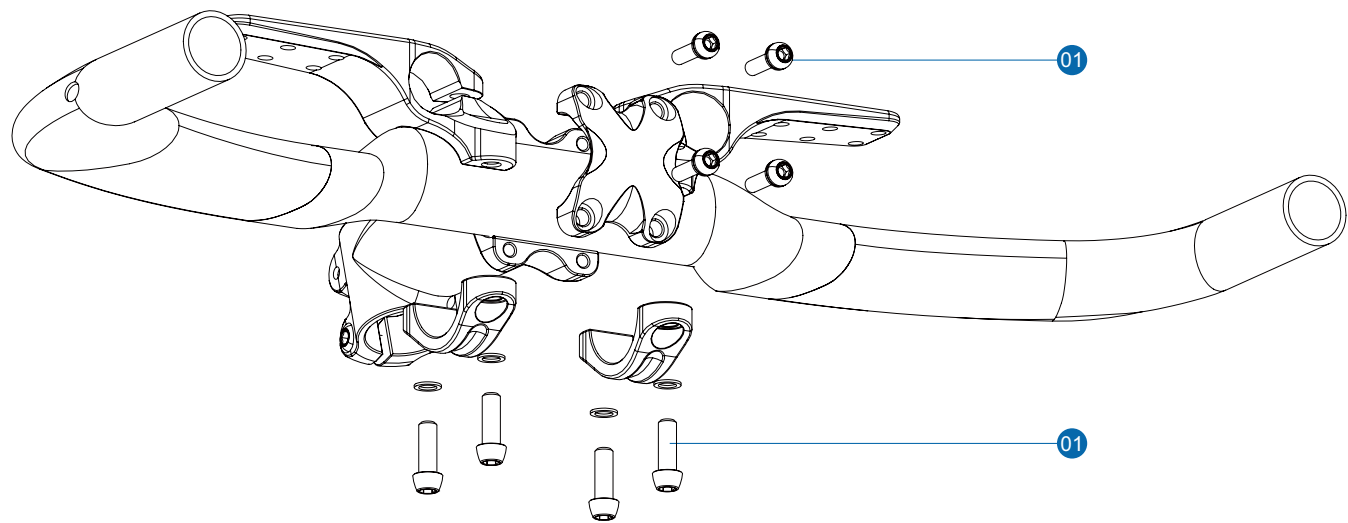
# PRODUCT SPECIFIC SETUP LIMITATIONS



OZERO TT

W	A
380	100
400	100
420	100

# TORQUE SETTINGS

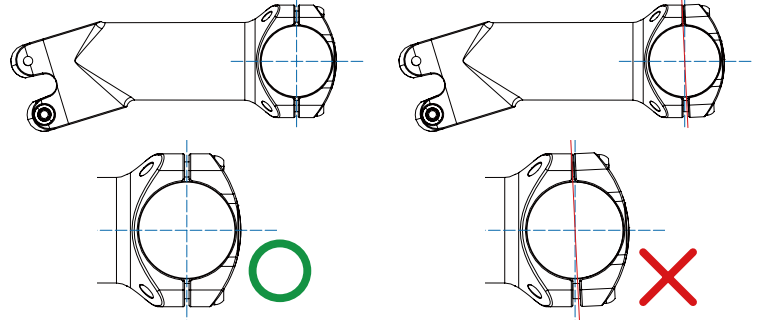
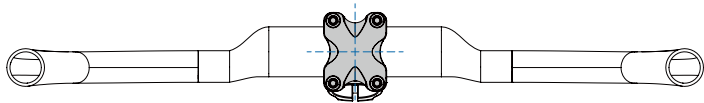
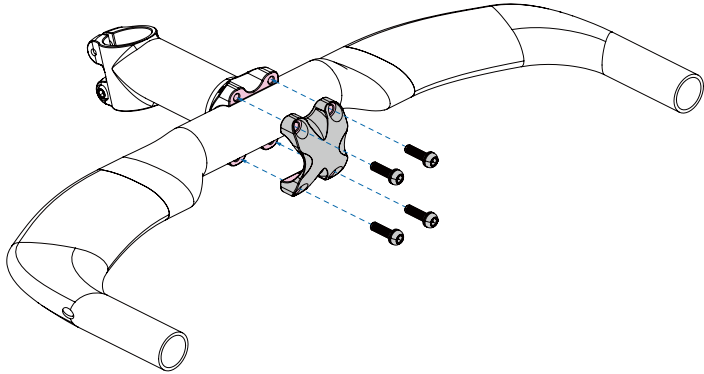


Ref.#	Location	Torque
1	Stem clamp	6Nm [53 inlbf]
2	Bracket clamp	6Nm [53 inlbf]

# INSTALLATION INSTRUCTIONS

## ATTACHING THE STEM

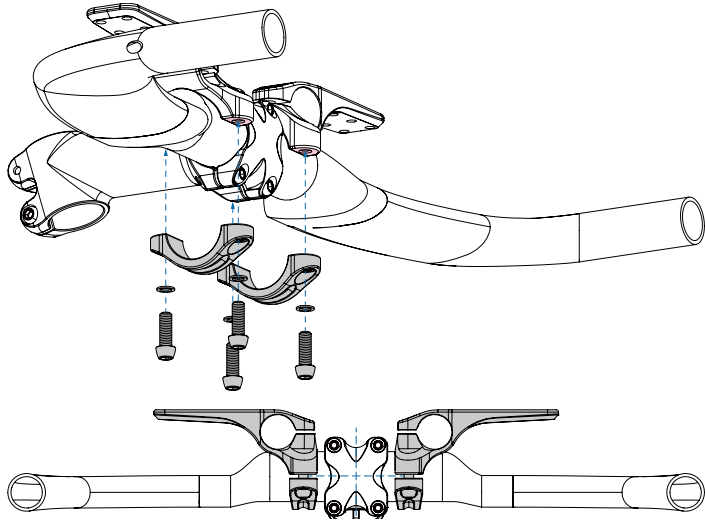
1. Prior to attaching the stem apply a thin coating of assembly compound to the inside faces of the handlebar clamp on both the faceplate and stem body.
2. Clasp the two halves of the handlebar clamp around the handlebar then use the appropriate wrench to install the bolts in the stem.
3. Ensure that the faceplate is an equal distance from the stem body at each bolt location then tighten according to the stem torque specification.



**WARNING:**  
Overtightening either handlebar clamp may lead to cracking and possible failure of the handlebar.

## ATTACHING THE AEROBARS

4. Prior to attaching the aerobar bracket apply a thin coating of assembly compound to the inside faces of the handlebar clamp on both the upper and lower part of the bracket.
  - a. If using aerobar risers alloy assembly compound to these too.
5. Clasp the two halves of the handlebar clamp around the handlebar then use the appropriate wrench to install the bolts bracket.
6. Ensure that the lower bracket is an equal distance from the upper bracket at each bolt location then tighten according to the aerobar bracket torque specification.



7. Proceed with aerobar setup as per the instructions for your aerobar.

## INSTALLING THE BRAKE LEVERS

8. Apply a thin layer of assembly compound to the inside of the end of the bar.
9. Route the brake cable outers through the bar.
10. Insert the brake levers, ensuring that the cable outer contacts the brake lever body firmly.
11. Tighten the brake lever mounting bolt according to the manufacturer spec.
12. Route the brake cable inners.

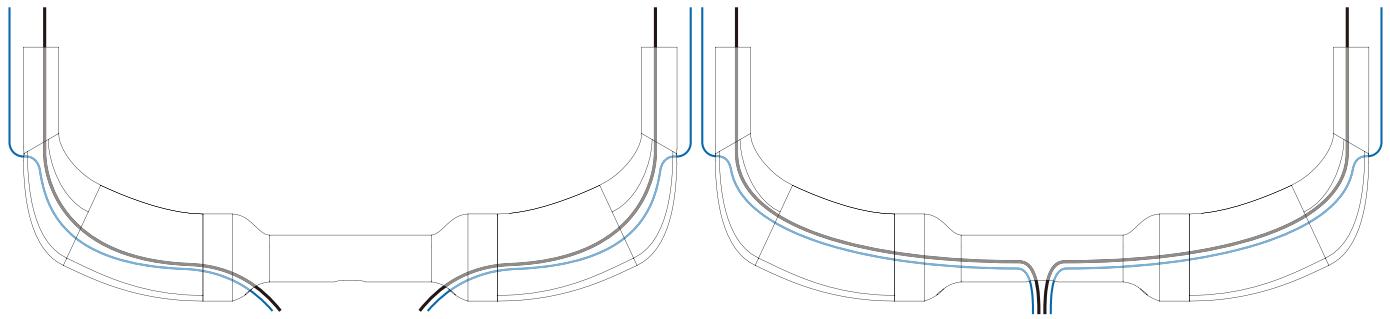
## HOW TO SHORTEN THE GRIP AREA

### **SOME PROFILE DESIGN BASEBARS CAN BE SHORTENED. IF CUT LINES ARE PRESENT AT THE END OF THE GRIP AREA IT IS PERMITTED TO SHORTEN THE BAR.**

1. Carefully determine the amount you wish to shorten the grip by.
2. Mark the point at which you wish to make a cut.
3. We recommend checking your measurements after first marking the cut line to ensure that you do not inadvertently cut the grip too short.
4. If using a cutting guide mount it securely in a vice. Then place the extension in the guide and line up the marked cut line with the slot in the cutting guide.
  - a. For aluminium an 18 tooth blade is recommended. Along with eye protection.
5. Using the hacksaw, make firm strokes of the blade through the guide, allowing the blade to do the work. Do not apply excessive force to the hacksaw as you risk snapping the blade and the possibility of injury.
6. Alternately, if you are using a pipe cutter – first apply insulation tape either side of the cut line to protect the finish of the extension from the rotating wheels.
7. Line the cutter up carefully with the cut line then rotate with a smooth motion, gradually depressing the cutting wheel further as the cut depth increases.
8. Repeat the process for the other grip.
9. Once you have cut both sides of the bar, use the half round file to remove any sharp edges from both the interior and exterior faces of the grip.

# CABLE ROUTE MAP

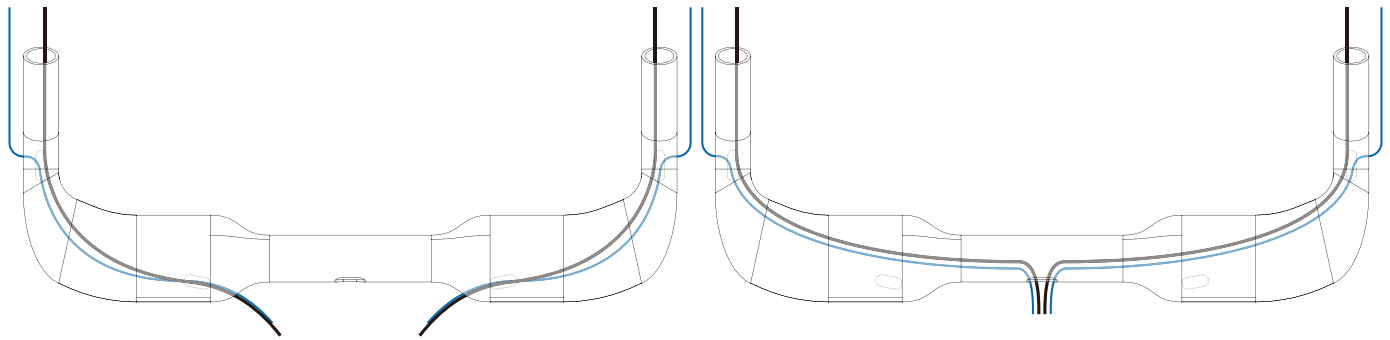
- Brake Cables
- Shifting (Electric Cables)



WING/20c

# CABLE ROUTE MAP

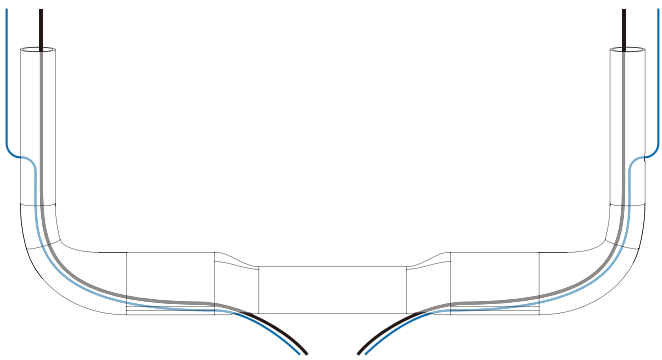
- Brake Cables
- Shifting (Electric Cables)



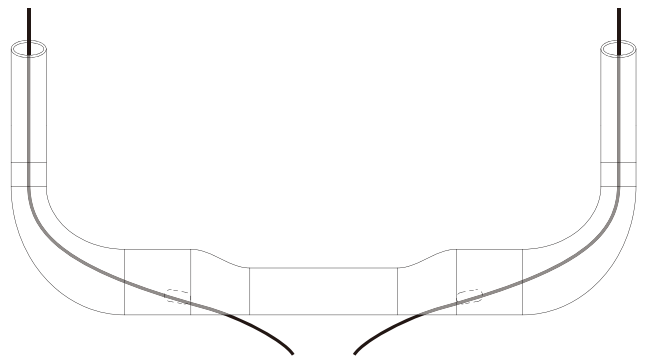
WING/c

# CABLE ROUTE MAP

- Brake Cables
- Shifting (Electric Cables)



WING/10A

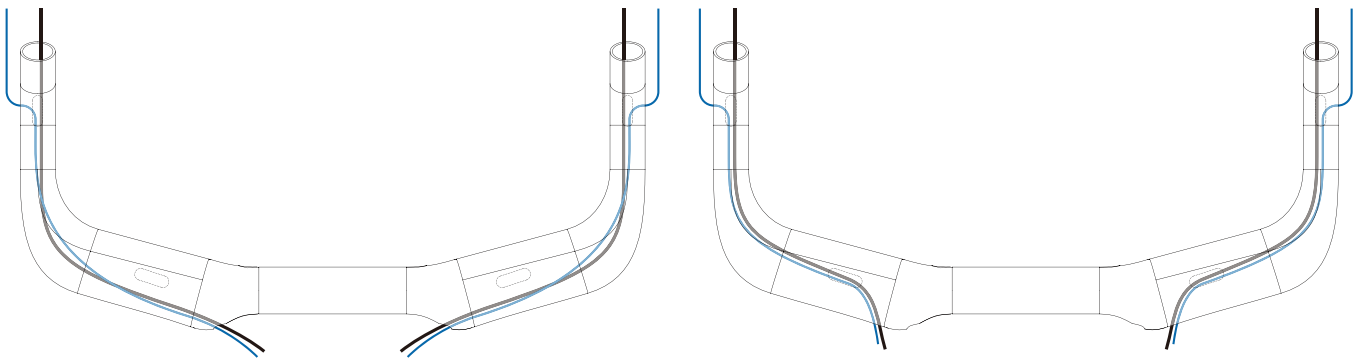


WING/A



# CABLE ROUTE MAP

- Brake Cables
- Shifting (Electric Cables)



OZERO

 **WARNING**

- Profile Design Worldwide Two Year Limited Warranty.
- Profile Design, LLC (distributor) warrants to the original retail purchaser ("you") that the Profile Design product for which you received this warranty is free from defects in material and workmanship for (2) two years from the date of original retail purchase. For more details on this warranty, its exclusions and/or how to make a claim under the warranty please call +1 310.747.0085 extension 161 or visit [www.profile-design.com/pages/warranty](http://www.profile-design.com/pages/warranty)



2677 El Presidio Street  
Long Beach, CA 90810  
Ph: 310-884-7756

[www.profile-design.com](http://www.profile-design.com)

© Profile Design LLC