



***PROFILE  
DESIGN*** 

---

**AERIA ULTIMATE RACE BRACKET**

REVISION 01-12-11-2020

## INTRODUCTION

**Thank you for purchasing this Profile Design aerobar bracket. These instructions apply to the Aeria Ultimate Standard and Race brackets.**

Please read these instructions thoroughly before attempting to install this item. Proper installation is required for compliance with Profile Design's warranty policy. If you are not familiar with installation of Aerobars or their accessories, please seek the assistance of your local Profile design dealer by logging on to [www.profile-design.com](http://www.profile-design.com) and using "dealer search" or by calling Profile Design's customer service number p.# 888.800.5999.

**Note to Dealers: If you install this product for the consumer, please provide him/her with this owner's manual after installation.**

### Tools and materials required:

- 5mm Hex Wrench
- 4mm Hex Wrench
- Torque Wrench for a 5mm and 4mm Hex fitting
- Assembly compound such as Finishline Fiber Grip™
- Grease such as Finishline Premium Grease
- Threadlocker such as Loctite® Threadlocker Blue 242®

## Your Bracket kit should contain:

- Two (2) aerobar brackets with wedge clamping system and bolt barrels (aluminium)

## Optional accessories compatible with these brackets

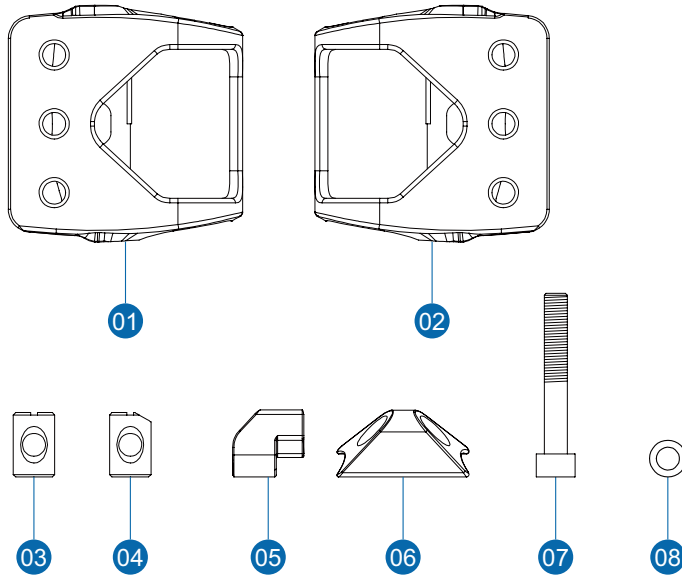
- Any Profile Design Extension
- Any Profile Design Armrest

**If anything is missing from the bracket kit please contact your dealer.**

Please note that threaded areas have been pre-treated by Profile Design during production with a special blue thread locking compound. This special compound is easy to detect on the threads of all bolts provided. If you cannot detect this thread locking compound or you are re-installing the bolt, re-apply a suitable thread locking compound as available from Loctite® or another company before assembly.

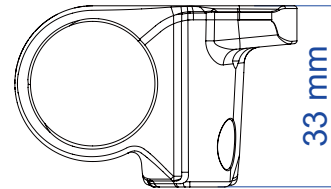
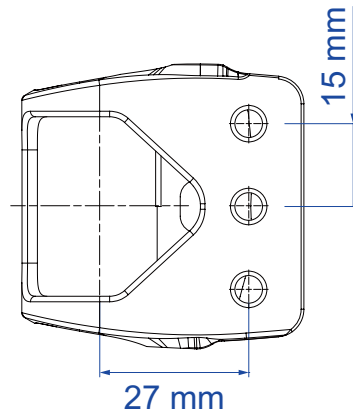
**WARNING: Periodically check the bracket for damage, particularly for scratches through the anodised coating that could lead to degradation and weakening of the base material. Replace your bracket if you notice any damage from use or accident.**

# COMPONENT LIST

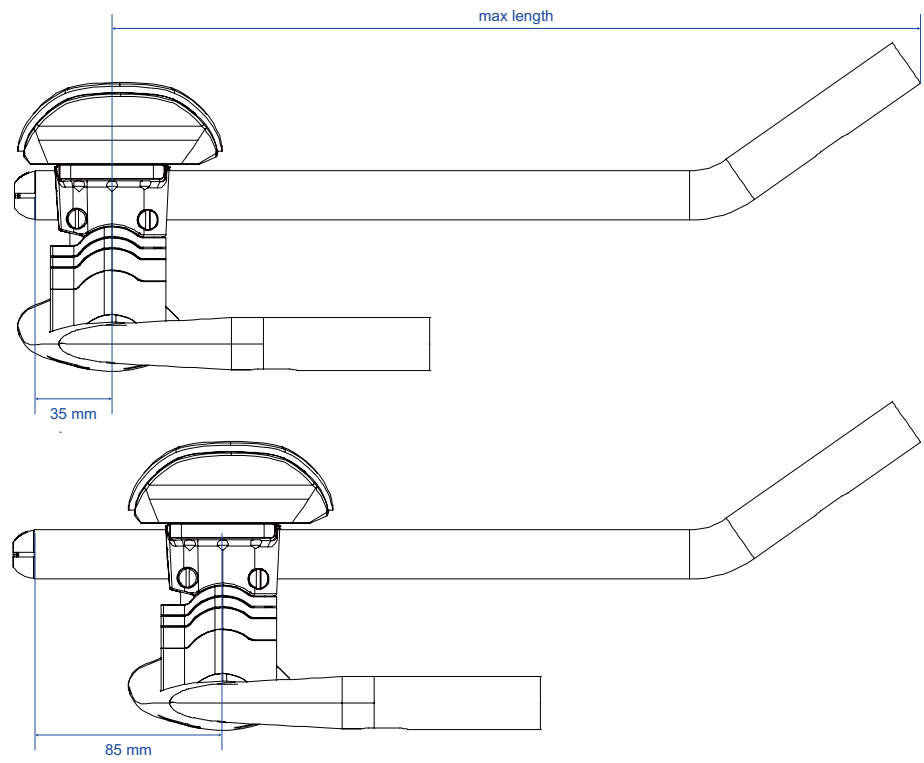


| QTY. Req. | Part.# | Ref.# | Part Description                                                                             |
|-----------|--------|-------|----------------------------------------------------------------------------------------------|
| 1         | 189382 | 1     | Bracket - Aeria Ult Race Top Bracket DM Alloy Anodized Black L (w/Assembling Indicator Mark) |
| 1         | 189383 | 2     | Bracket - Aeria Ult Race Top Bracket DM Alloy Anodized Black R (w/Assembling Indicator Mark) |
| 2         | 274461 | 3     | Barrel - Aeria Bracket w/Slot Black                                                          |
| 2         | 274462 | 4     | Barrel - Aeria Bracket w/Slot & Slant Black                                                  |
| 2         | 274452 | 5     | Wedge small-J5 Internal                                                                      |
| 2         | 274454 | 6     | Wedge small-Aeria Ult Internal                                                               |
| 2         | 313585 | 7     | Bolt - M5*35SHB BK w/nlock                                                                   |
| 2         | 275565 | 8     | Washer-M5 Silver (ACRM1)                                                                     |

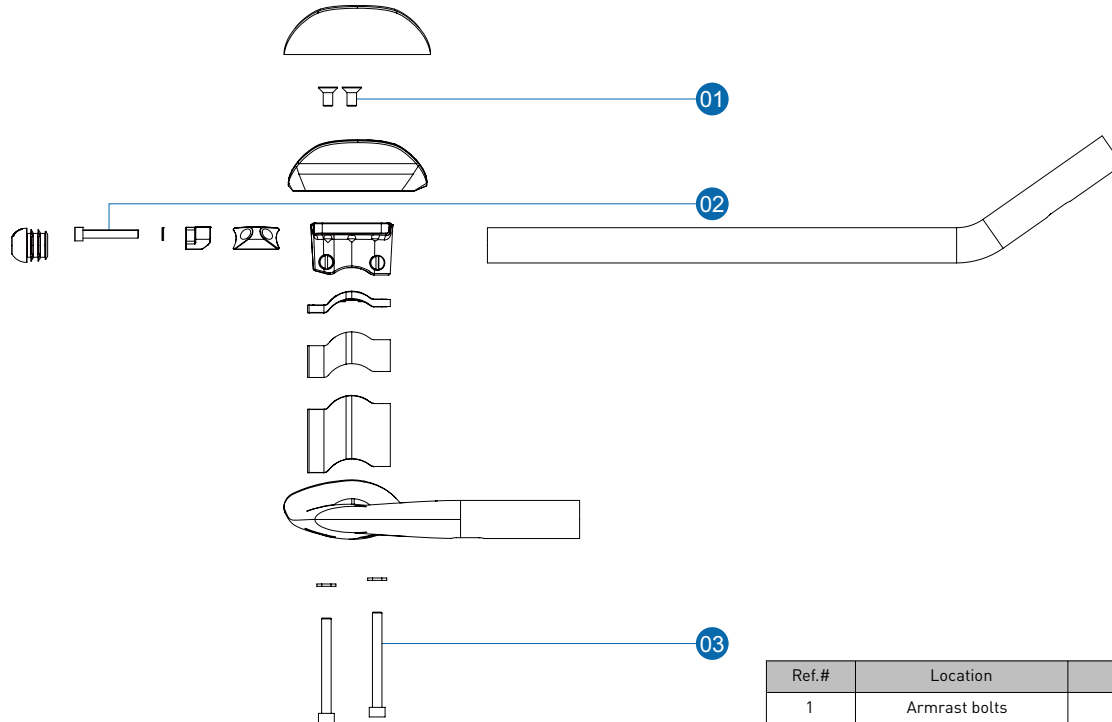
## PART DRAWINGS



# PRODUCT SPECIFIC SETUP LIMITATIONS

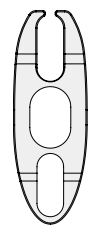


# TORQUE SETTINGS

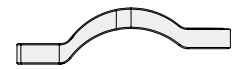


| Ref.# | Location        | Bolt Size    | Torque           |
|-------|-----------------|--------------|------------------|
| 1     | Armrest bolts   | M6x12mm CS   | 4.7Nm (42 inlbf) |
| 2     | Extension clamp | M5x35mm      | 5Nm (44 inlbf)   |
| 3     | Bracket clamp   | M6x20mm-90mm | 6Nm (53 inlbf)   |

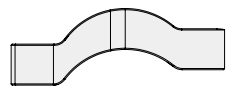
# BOLT LENGTHS



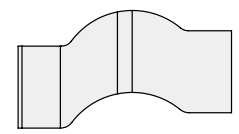
Spacer



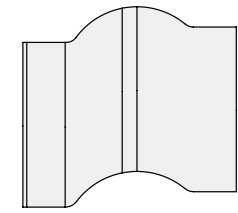
Height: 5mm



Height: 10mm

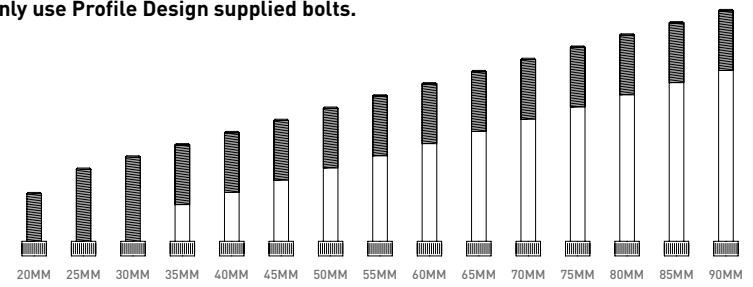


Height: 20mm



Height: 40mm

**⚠ Only use Profile Design supplied bolts.**

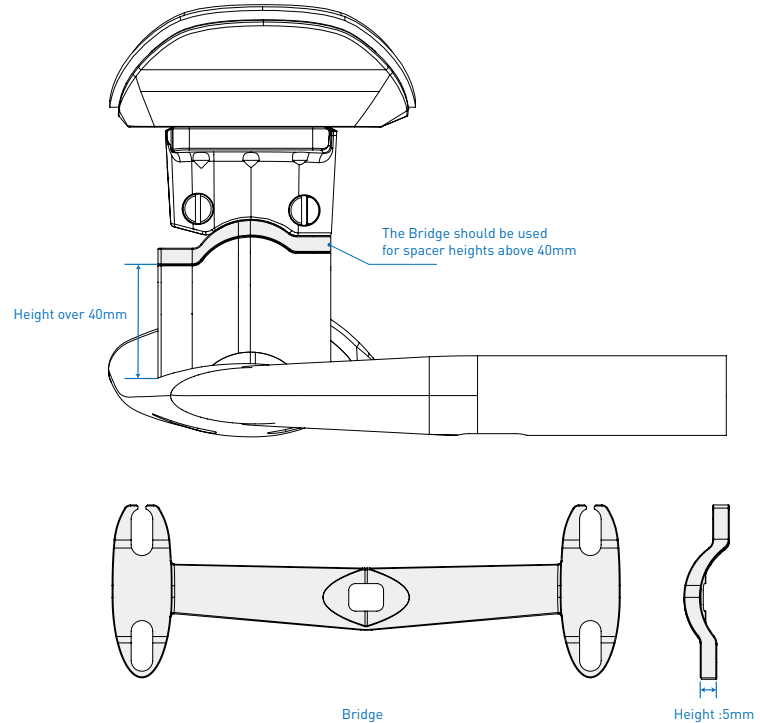


| Risers (mm) | 0  | 5  | 10 | 15 | 20 | 25 | 30 | 35 | 40 | 45 | 50 | 55 | 60 | 65 | 70 | 75  | 80  | 85  | 90  |
|-------------|----|----|----|----|----|----|----|----|----|----|----|----|----|----|----|-----|-----|-----|-----|
| Bolt (mm)   | 20 | 25 | 30 | 35 | 40 | 45 | 50 | 55 | 60 | 65 | 70 | 75 | 80 | 85 | 90 | Non | Non | Non | Non |

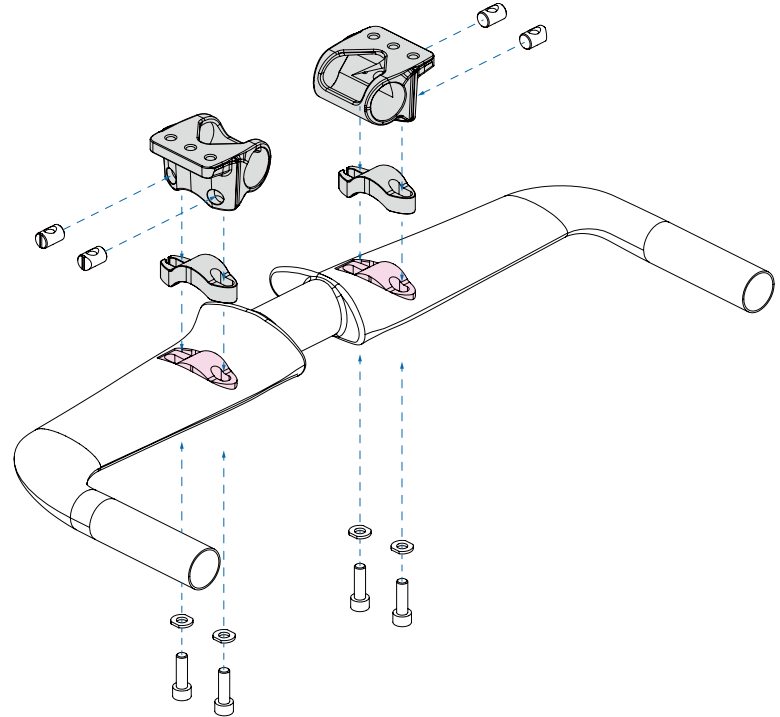


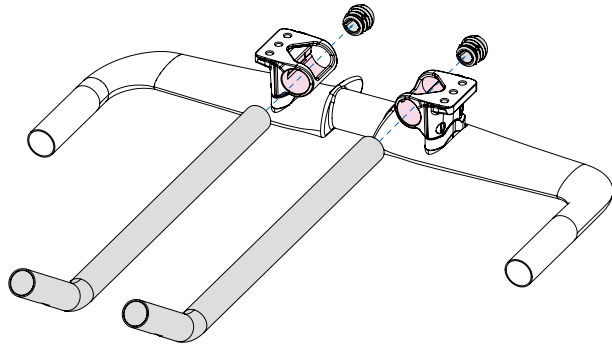
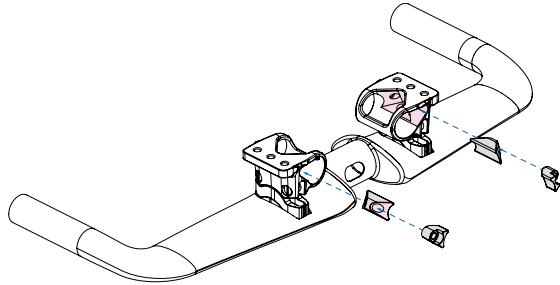
# BOLT LENGTHS

| Aerobar Stack    |                 | Spacer Height (mm) | Spacers Used      | Bolt Length (mm) |
|------------------|-----------------|--------------------|-------------------|------------------|
| Ergo / Race 10mm | Ergo / Race 5mm |                    |                   |                  |
| 55               | 50              | 0                  | 0                 | 20               |
| 60               | 55              | 5                  | 5                 | 25               |
| 65               | 60              | 10                 | 10                | 30               |
| 70               | 65              | 15                 | 5, 10             | 35               |
| 75               | 70              | 20                 | 20                | 40               |
| 80               | 75              | 25                 | 5, 20             | 45               |
| 85               | 80              | 30                 | 10, 20            | 50               |
| 90               | 85              | 35                 | 5, 10, 20         | 55               |
| 95               | 90              | 40                 | 40                | 60               |
| 100              | 95              | 45                 | 40, Bridge        | 65               |
| 105              | 100             | 50                 | 5, 40, Bridge     | 70               |
| 110              | 105             | 55                 | 10, 40, Bridge    | 75               |
| 115              | 110             | 60                 | 5, 10, 40, Bridge | 80               |
| 120              | 115             | 65                 | 20, 40, Bridge    | 85               |
| 125              | 120             | 70                 | 5, 20, 40, Bridge | 90               |

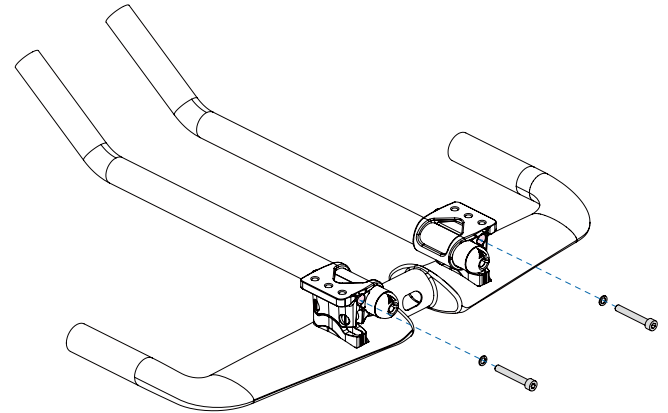


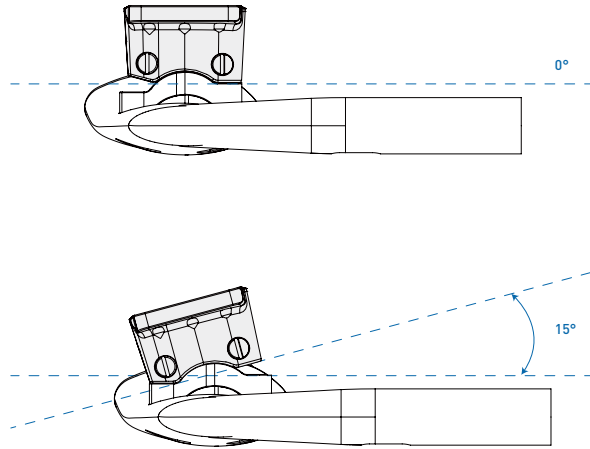
1. Assemble the bracket and risers.
  - a) Assembly tip – it is usually easier to start with the bolt at the front of the bracket.
  - b) Use the locator groove on the side of the threaded barrel (in the aerobar bracket) to aid in aligning the barrel for bolt installation.
2. Tighten the bolts until the aerobar bracket is firmly in place and repeat with the other side.
3. Install the extensions in the desired position and tighten the M3 extension fixing bolt using the 5mm Hex wrench so they are held snugly.





4. Install the shifters as per the shifter manufacturer's instructions. We recommend a light coating of assembly compound on the inside of the extension prior to installing the shifter.
5. Install the cables as per instructions from the shifter manufacturer.
6. Check the placement of the brackets and extensions then use the torque wrench with a 5mm fitting to tighten the aero bar bracket clamp to 6Nm.
7. Then use the torque wrench with a 4mm fitting to tighten the extension clamp to 5Nm.

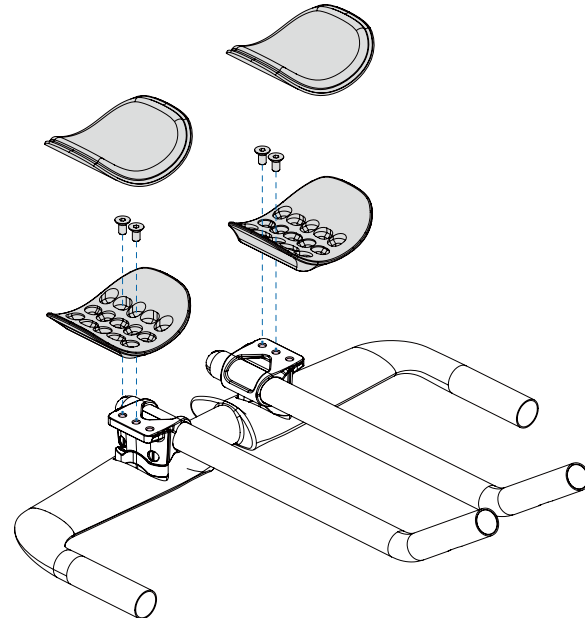




**WARNING:**

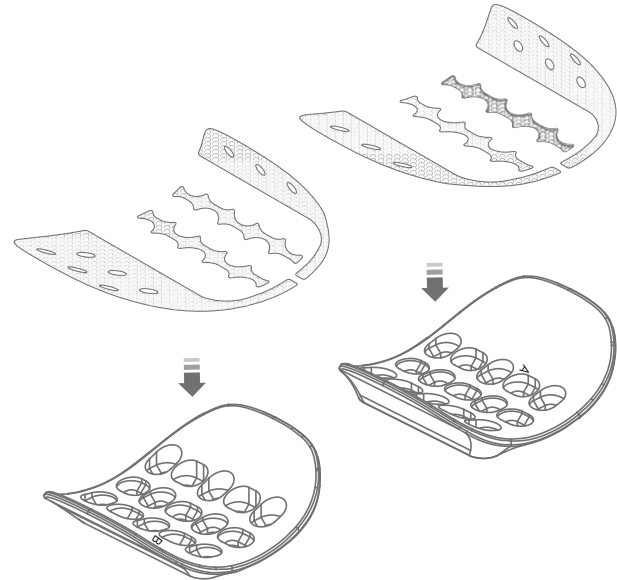
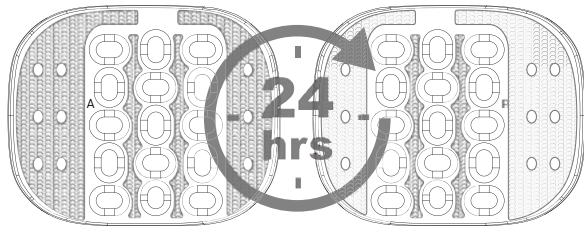
Using bolts that are too long for the risers and bracket will prevent correct installation. Bolts that are too short may lead to failure during use.

8. Fasten the armrests to the brackets using the M6x12mm countersunk bolts, note that the armrests have an offset design so care is required to ensure each side is positioned in the same way.
9. Apply a light coating of grease to the surface of the bolts as a protective layer against the effects of sweat.
10. Attach the cushion by placing carefully on hook and loop backing of the armrest and hold firmly for 30 seconds. Repeat for the other armrest. Note that the cushions on these models of armrest are symmetrical, so it doesn't matter which side each cushion is applied to.

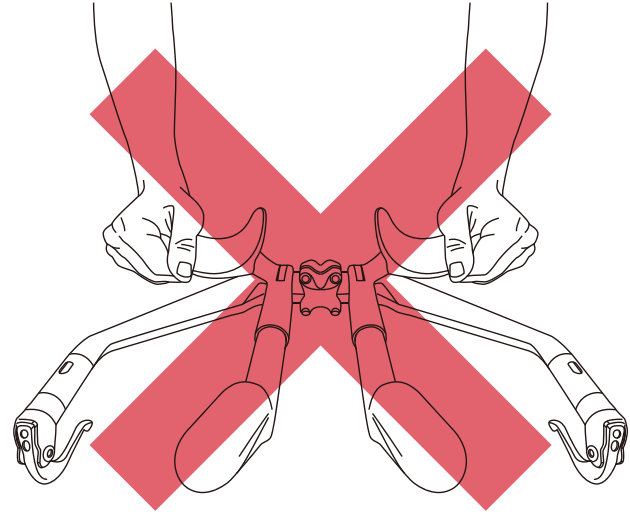
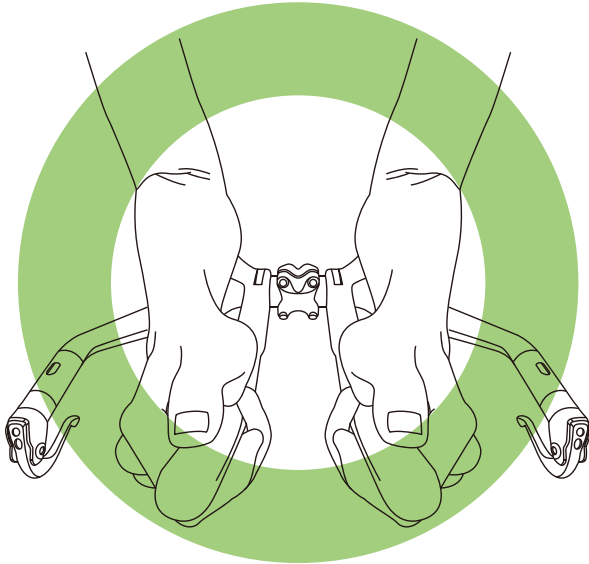


## HOW TO INSTALL NEW ARMRESTS

1. To fit the armrests first ensure the inner face of the armrest is free of lint and grease, if the armrest has previously had a hook and loop sticker applied the residue should first be removed either mechanically or with a citrus based solvent.
2. Before applying the hook and loop sticker, you may choose to wipe down the surface with isopropyl alcohol to ensure good adhesion. Remove the backing from the hook and loop sticker and apply it to the armrest, smoothing the sticker out to ensure there are no air bubbles trapped under it.
3. Allow the sticker 24 hours to cure before use.



## ARMREST USAGE



**⚠ WARNING**

**Do not put force on the side of the armrests!**

 **WARNING**

- Profile Design Worldwide Two Year Limited Warranty.
- Profile Design, LLC (distributor) warrants to the original retail purchaser ("you") that the Profile Design product for which you received this warranty is free from defects in material and workmanship for (2) two years from the date of original retail purchase. For more details on this warranty, its exclusions and/or how to make a claim under the warranty please call +1 310.747.0085 extension 161 or visit [www.profile-design.com/pages/warranty](http://www.profile-design.com/pages/warranty)



2677 El Presidio Street  
Long Beach, CA 90810  
Ph: 310-884-7756

[www.profile-design.com](http://www.profile-design.com)

© Profile Design LLC