



**PROFILE  
DESIGN** 

---

**HSF AERODRINK 880 HYDRATION**

**PROFILE  
DESIGN** 

REVISION 01-03-05-2021

# INTRODUCTION

**Thank you for purchasing this Profile Design Hydration System. These instructions apply to the HSF/Aerodrink 880**

Please read these instructions thoroughly before attempting to install this item. Proper installation is required for compliance with Profile Design's warranty policy. If you are not familiar with installing bicycle accessories, please seek the assistance of your local Profile design dealer by logging on to [www.profile-design.com](http://www.profile-design.com) and using "dealer search" or by calling Profile Design's customer service number p.# 888.800.5999.

**Note to Dealers: If you install this product for the consumer, please provide him/her with this owner's manual after installation.**

## **Tools and materials required:**

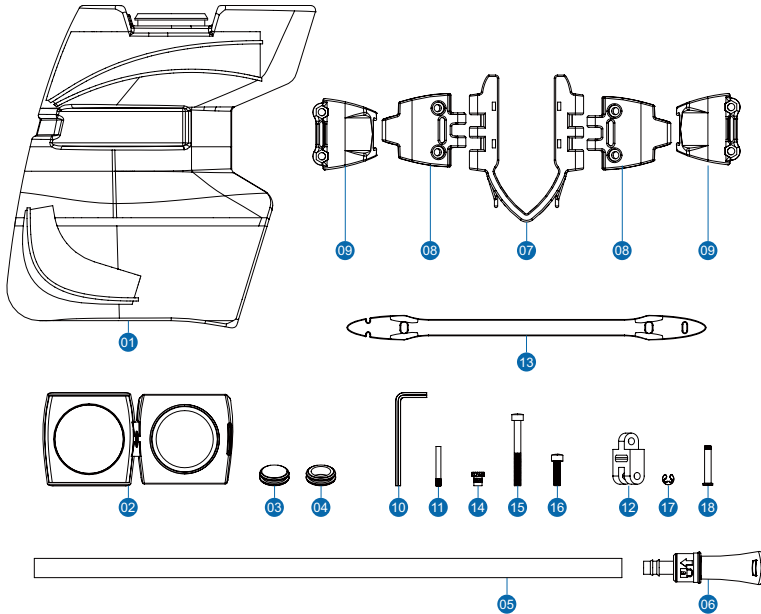
- Needle nose pliers
- 3mm Hex wrench

## **Your hydration system should contain:**

- HSF 880 Bottle with top cap
- Straw with bite valve
- Aerodrink BTA bracket

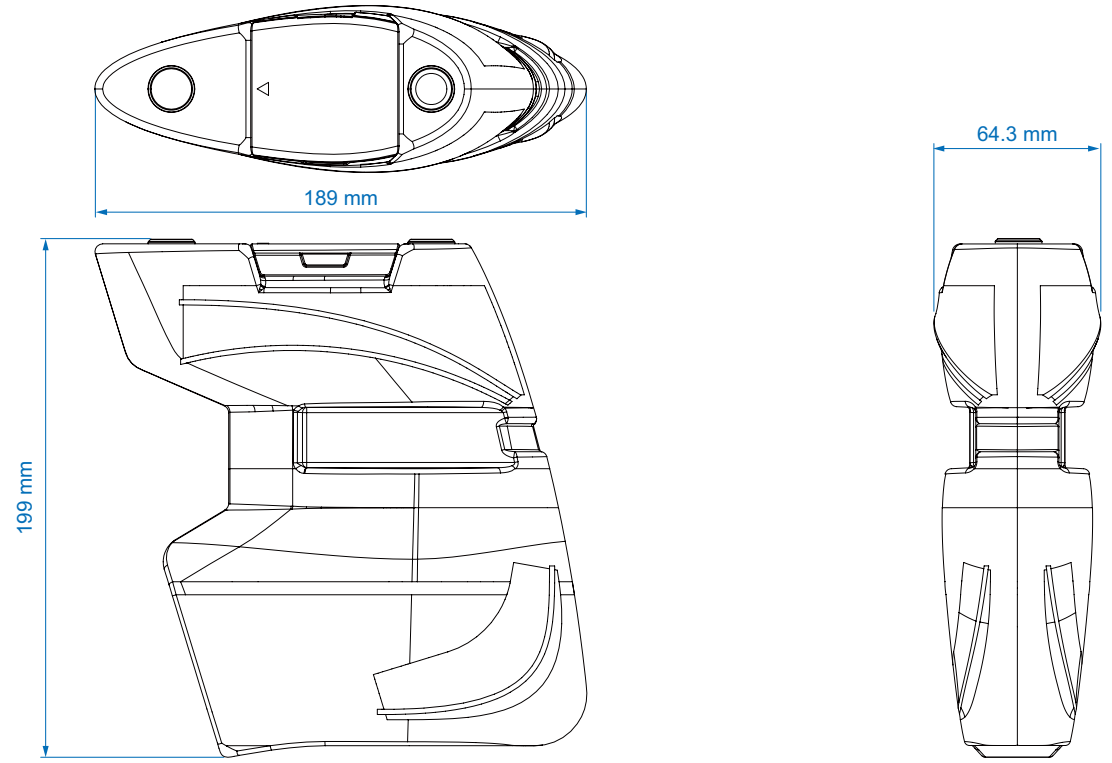
**If anything is missing from the hydration system please contact your dealer.**

# COMPONENT LIST



Ref.#	Part.#	QTY. Req.	Part Description
1	600213	1	Bottle - HSF Aerodrink 880 BK w/BK Logo
2	B154	1	Top Cap - HSF Aerodrink 880 BK
3	B155	1	Grommet - Straw Hole Cover BK
4	B156	1	Grommet - Straw Hole Black
5	B058	1	FC-Bandable Straw Soft 360mm
6	B096	1	FC Bite Valve Dark gray
7	189343	1	Aero Drink Bracket Center Piece
8	189344	2	Aero Drink Bracket Holder Up
9	189345	2	Aero Drink Bracket Holder Down
10	274451	1	Allen key M3x19x57 black
11	274450	2	Rivet 3x24 BR
12	212004	2	Bracket Width Adapter Black
13	295322	1	Silicon strap 15 mm
14	469913	2	Shim - M4x0.7x8.2 Copper for Cage
15	212102	2	Bolt - M4x40SHB
16	313580	4	Bolt - M4x15 SHB
17	212006	2	"C" Clip Silver Steel (ACUDRKBK)
18	212005	2	Pin Silver Steel (ACUDRKBK)

# PART DRAWINGS



## PRODUCT SPECIFIC SETUP LIMITATIONS

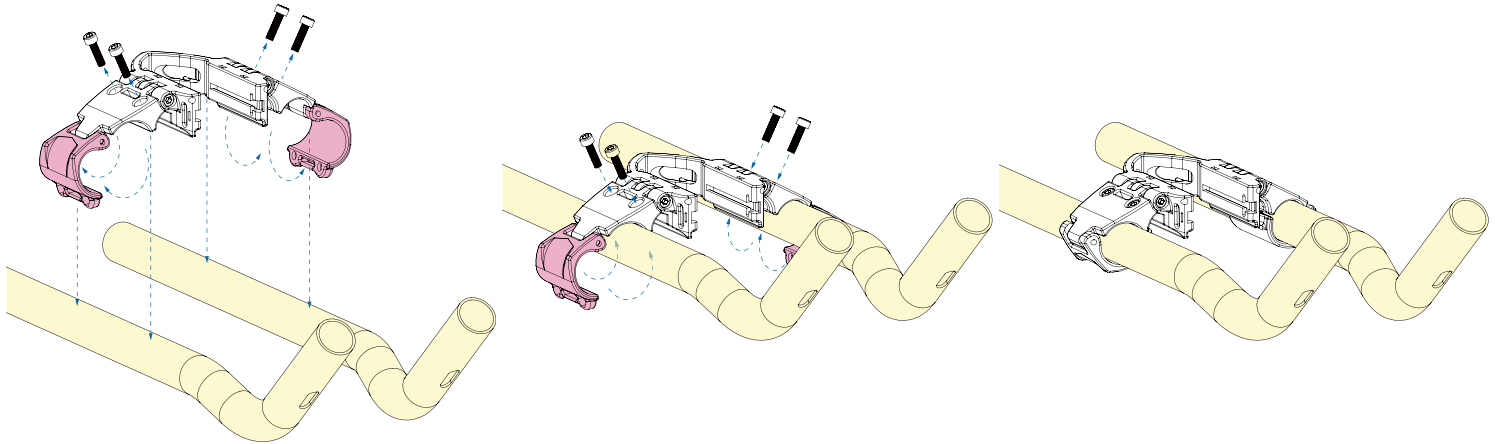
- The HSF/Aerodrink 880 is designed to fit on aerobar extensions 80mm-120mm wide (3.25in – 4.75in)
- The HSF/Aerodrink 880 has been designed for a temperature range of -40 to 75deg C

# INSTALLATION INSTRUCTIONS

## Installing the system on a bike:

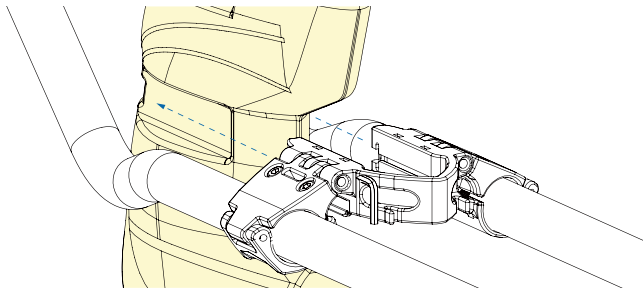
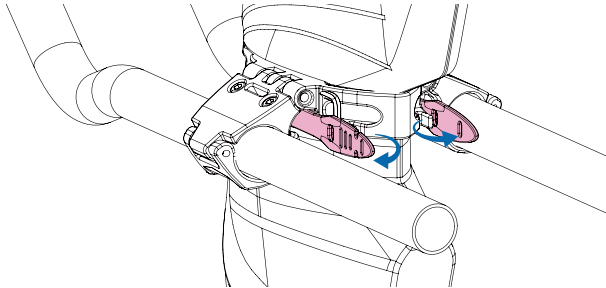
1. Remove the four M4 bolts securing the extension clamps and loosen the M4 pivot bolts to allow the clamps to pivot.
2. Open the extension clamps and place on the aero bar extensions.
3. Wrap the clamps around the extensions and thread the 4 M4x15 bolts securing both left and right side extension clamps.
4. Tighten the extension clamp bolts to a torque of 1.5Nm (13 in.lbs).
5. Tighten both pivot bolts to prevent bottle movement while riding.

Note that the mount can be installed on the lower side of the extensions if you wish to set the hydration system lower.



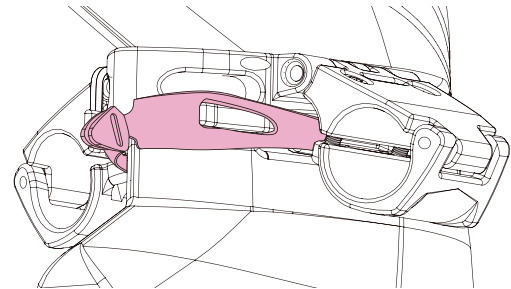
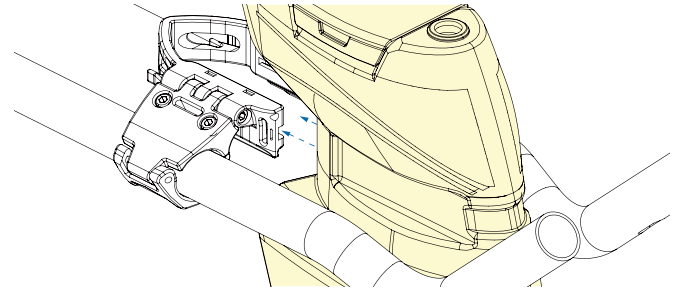
## Removing the bottle:

1. Unhook the red rubber strap from the back of the bottle and carefully pull it away from the hooks on the mount.
2. Slide the bottle forwards out of the mount.



## Installing the bottle:

1. Orient the bottle correctly with the guide channel sides lined up with the mount.
2. Slide the bottle into the mount until you hear a click from the retention hook.
3. Check to make sure that the cage and guide channel are correctly matched.
4. Wrap the rubber strap around the bottle and stretch the holes over the hooks.
5. Clip the end of the rubber strap together.



 **WARNING**

- Profile Design Worldwide Two Year Limited Warranty.
- Profile Design, LLC (distributor) warrants to the original retail purchaser ("you") that the Profile Design product for which you received this warranty is free from defects in material and workmanship for (2) two years from the date of original retail purchase. For more details on this warranty, its exclusions and/or how to make a claim under the warranty please call +1 310.747.0085 extension 161 or visit [www.profile-design.com/pages/warranty](http://www.profile-design.com/pages/warranty)





2677 El Presidio Street  
Long Beach, CA 90810  
Ph: 310-884-7756

[www.profile-design.com](http://www.profile-design.com)

© Profile Design LLC