



**PROFILE
DESIGN**

HSF 800 HYDRATION

REVISION 01-11-03-2020

INTRODUCTION

Thank you for purchasing this Profile Design Hydration System. These instructions apply to both the standard and plus versions of the HSF/Aero HC 800.

Please read these instructions thoroughly before attempting to install this item. Proper installation is required for compliance with Profile Design's warranty policy. If you are not familiar with installing cycling accessories, please seek the assistance of your local Profile design dealer by logging on to www.profile-design.com and using "dealer search" or by calling Profile Design's customer service number p.# 888.800.5999

Note to Dealers: If you install this product for the consumer, please provide him/her with this owner's manual after installation.

Tools and materials required:

- Needle nose pliers
- Scissors or a diagonal pliers

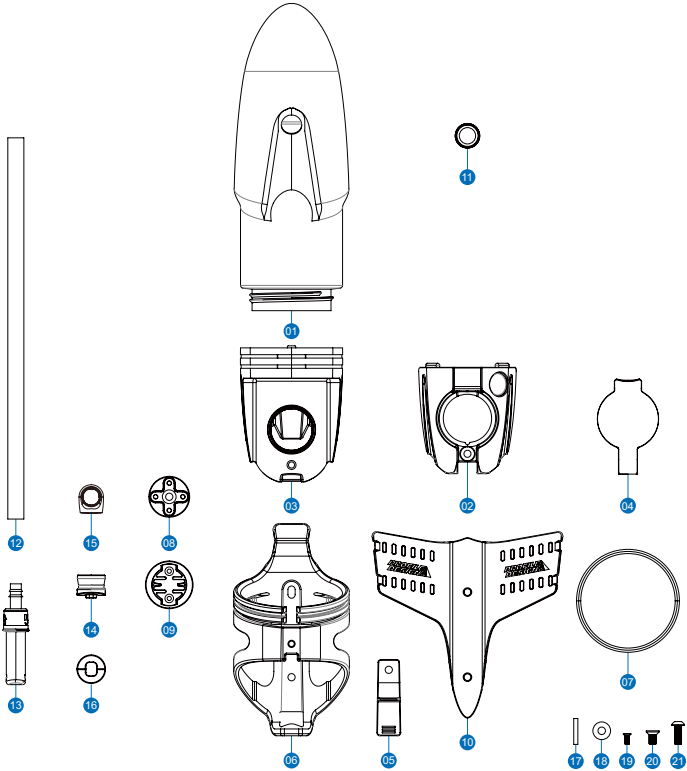
Your hydration system should contain:

- Plastic bottle
- Plastic screw cap with fill port
- Plastic BTA mount with threaded inserts
- Plastic bottle cage with retention clip
- Garmin mount
- Drinking straw
- + model equipped with a magnet in the screw cap and a bite valve
- Standard model has a hose clip under the garmin mount
- Plastic zip ties

If anything is missing from the hydration system please contact your dealer.

COMPONENT LIST

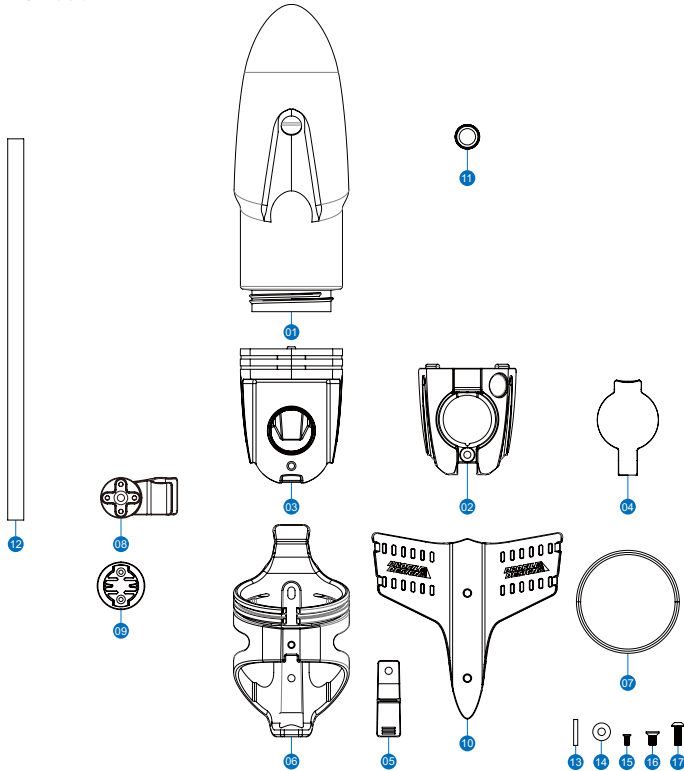
HSF 800+



QTY. Req.	Part.#	Ref.#	Part Description
1	600212	1	Bottle - HSF 800
1	B141	2	Rear Cap - HSF 800+ Magnet System (Integration)
1	B142	3	Rear Cap - HSF 800
1	B143	4	Top Cap - For HSF 800 Rear Top Cap
1	B146	5	Latch -Axis Grip for HSF 800
1	414231	6	Cage - Axis Grip
1	B147	7	O Ring - Axis Grip
1	B148	8	Garmin Mount - Base (800+ & Axis Grip)
1	B149	9	Garmin Mount - Top (Axis Grip)
1	B150	10	BTA - HC MOUNT 2
1	B117	11	O-Ring - Straw Stabilization
1	B083	12	Straw - Silicon 280 mm
1	B096	13	FC Bite Valve Dark gray
1	WB139	14	Magnet System - Movable - Aeria HSF (Integration)
1	WB138	15	Magnet System - Straw - Aeria HSF (Integration)
1	B118	16	Rubber - Movable Magnet - Aeria HSF
1	274468	17	Pin - 3 x 19 mm
2	275673	18	Washer 5.3 x 13 x 1
2	313599	19	Bolt - M3 x 8 FHB SL
2	313597	20	Bolt - M5 x 10 FHB SL
2	313598	21	Bolt - M5 x 14 BHB SL w/nylock

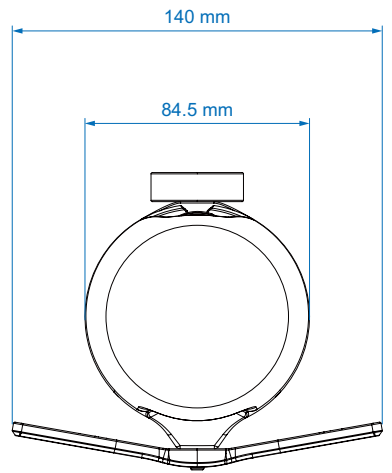
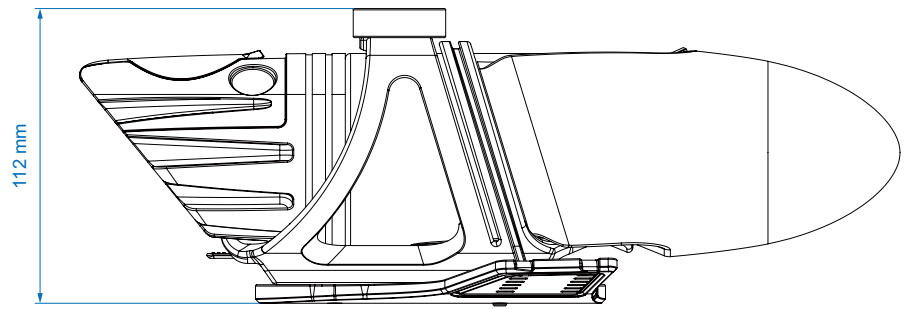
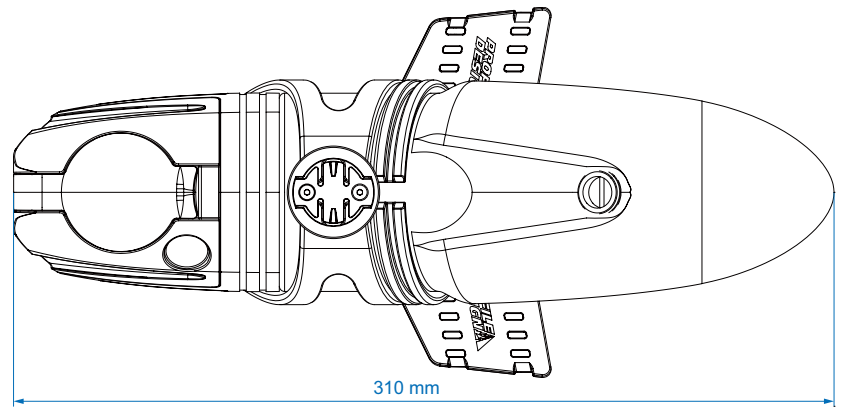
COMPONENT LIST

HSF 800



QTY. Req.	Part.#	Ref.#	Part Description
1	600212	1	Bottle - HSF 800
1	B142	2	Rear Cap - HSF 800
1	B151	3	Top Cap - For HSF 800 Rear Cap
1	B143	4	Top Cap - For HSF 800 Rear Top Cap
1	B146	5	Latch - Axis Grip for HSF 800
1	414231	6	Cage - Axis Grip
1	B147	7	O Ring - Axis Grip
1	B152	8	Garmin Mount - Base - Straw (800 & Axis Grip)
1	B149	9	Garmin Mount - Top (Axis Grip)
1	B150	10	BTA - HC MOUNT 2
1	B117	11	O-Ring - Straw Stabilization
1	B083	12	Straw - Silicon 280 mm
1	274468	13	Pin - 3 x 19 mm
2	275673	14	Washer 5.3 x 13 x 1
2	313596	15	Bolt - M3 x6 FHB SL
2	313597	16	Bolt - M5 x 10 FHB SL
2	313598	17	Bolt - M5 x 14 BHB SL w/nylock

PART DRAWINGS



PRODUCT SPECIFIC SETUP LIMITATIONS

- The HSF/Aero HC 800 bottle can only be used with the KAG1 - Axis Grip Cage with Garmin Mount
- The HC Mount II is designed to fit on aerobar extensions 80mm-120mm wide (3.25in – 4.75in)
- The HSF/Aero HC 800 has been designed for a temperature range of -40 to 75deg C

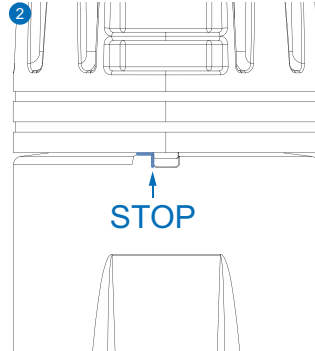
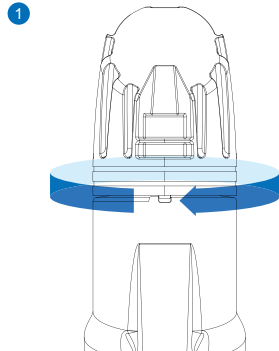
INSTALLATION INSTRUCTIONS

Opening the bottle:

1. To open the bottle, first remove it from the cage. (see instructions below on how to remove the bottle from the cage)
2. Unscrew the cap by turning counter clockwise. (If the cap is at the top)
3. Once the threads disengage you will need to pull the cap the remaining distance.
4. Note that it will be slightly easier to do this if you open the fill port.

Closing the bottle:

1. Again, it will be easier to do this with the fill port open.
2. Carefully align the bottle with the dual lip seal on the cap.
3. Carefully push the cap down on the bottle making sure the gap between the two parts is even.
4. As you feel resistance to pushing further, start to turn the cap clockwise (again this is with the cap at top) to engage the threads.
5. At this point it is best to observe the base of the bottle – turn the cap until the tab on the cap just touches the tab on the bottle – this ensures correct alignment and sealing of the bottle.
6. Close the fill port.



Cleaning the system:

1. Remove the bottle from the cage and remove the cap.
2. You can use a bottle brush to clean inside the bottle and cap.
3. A hose brush can be used to clean the straw.
4. The bottle could be placed in a dishwasher with the straw and straw gusset removed.
5. Do not use harsh chemical cleaners on your hydration system.
6. Once the system is clean and dry, reassemble and fit to your bike.

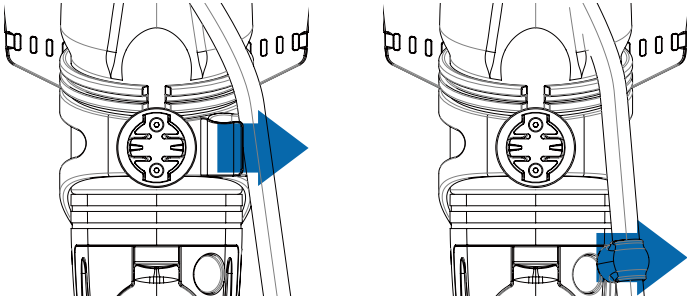
Installing the system on a bike:

1. Place the wings of the HC Mount II on the extensions.
2. Route the zip ties around the extension and through the slots in the mount.
3. Use the pliers to pull the zip ties tight, alternatingly sides to ensure the mount is centered.
4. You must use two zip ties per side.
5. Once the mount is securely fastened, use the scissors or diagonal pliers to trim the zip ties, being careful to not harm yourself or damage any of the components of the hydration system or bike.

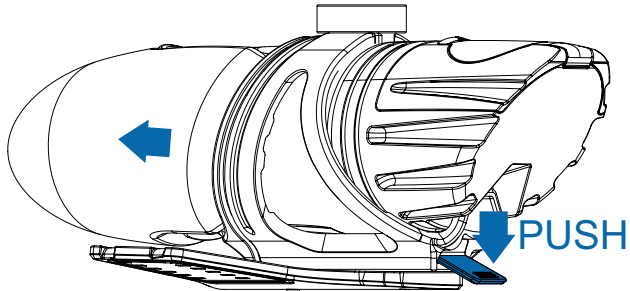
Note that the mount can be installed on the lower side of the extensions if you wish to set the hydration system lower.

Removing the bottle:

1. To remove the bottle first ensure that the hose is not attached to the magnet or clip.

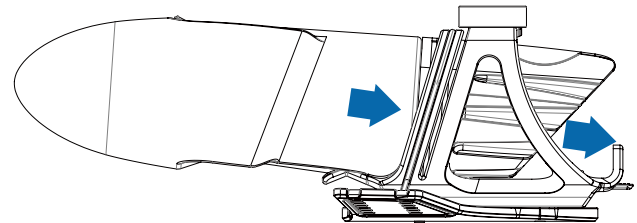


2. Then depress the lever on the clip that is located at the rear of the bottle. (Hear clip click)
3. While holding the lever down, carefully pull the bottle forwards out of the cage.



Installing the bottle:

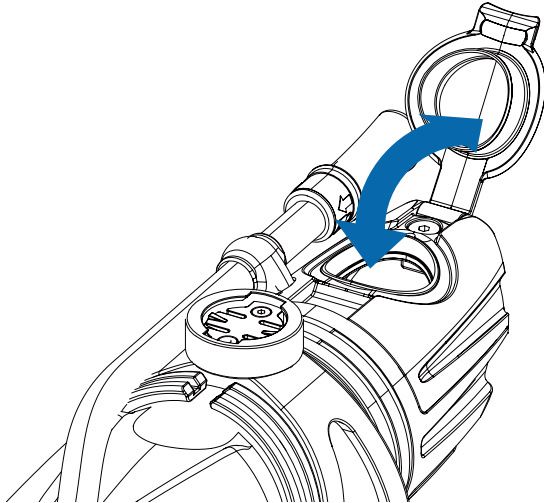
1. Orient the bottle correctly with the guide channel on the base lined up with the front tab on the cage.
2. Slide the bottle into the cage until you hear a click from the retention clip.
3. Check to make sure that the cage and guide channel are correctly matched.
4. If the bottle has not seated correctly, depress the retention lever and re-align the guide channel.



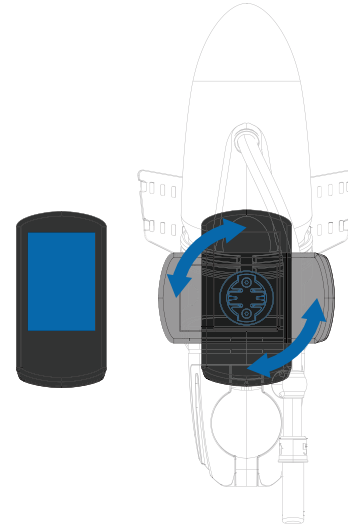
Using the bottle:

1. To drink during a race.
 - a. Remove the straw from the clip or magnet and place the end in your mouth.
 - b. If the hydration system is equipped with a bite valve ensure this is oriented with the slit vertically in your mouth and that the valve is pulled open.
 - c. Suck on the straw to take a drink.
 - d. Place the straw back in the clip or on the magnet

2. To fill the bottle
 - a. Open the fill port by pulling the tab back towards your body.
 - b. Insert the nozzle of your refill into the fill port.
 - c. Squeeze the refill bottle until it is empty.
 - d. Close the fill port.



3. To install a Garmin® GPS unit
 - a. Note that the KAG1 - Axis Grip Cage with Garmin® mount is only compatible with Edge series units.
 - b. Place the tabs on the base of the Garmin® into the mount and gently make a quarter turn of the head unit to engage it with the mount.



 **WARNING**

- Profile Design Worldwide Two Year Limited Warranty.
- Profile Design, LLC (distributor) warrants to the original retail purchaser ("you") that the Profile Design product for which you received this warranty is free from defects in material and workmanship for (2) two years from the date of original retail purchase. For more details on this warranty, its exclusions and/or how to make a claim under the warranty please call +1 310.747.0085 extension 161 or visit www.profile-design.com/pages/warranty



2677 El Presidio Street
Long Beach, CA 90810
Ph: 310-884-7756

www.profile-design.com

© Profile Design LLC