

**PROFILE  
DESIGN**

---

**HSF / AERIA HYDRATION**

REVISION 02-12-08-2023

# INTRODUCTION

**Thank you for purchasing this Profile Design Hydration System. These instructions apply to the HSF/Aeria.**

Please read these instructions thoroughly before attempting to install this item. Proper installation is required for compliance with Profile Design's warranty policy. If you are not familiar with installing bicycle accessories, please seek the assistance of your local Profile design dealer by logging on to [www.profile-design.com](http://www.profile-design.com) and using "dealer search" or by calling Profile Design's customer service number p.# 888.800.5999.

**Note to Dealers: If you install this product for the consumer, please provide him/her with this owner's manual after installation.**

## Tools and materials required:

- 3mm Hex Wrench
- Torque wrench with 3mm Hex

## Your hydration system should contain:

- Plastic bottle
- Plastic top cover with fill port
- Blank nose piece
- Rubber gusset
- Flexible drinking hose with bite valve
- Hose magnet and mounting magnet
- HSF mounting clip with M5 bolts

**If anything is missing from the hydration system please contact your dealer.**

## Compatibility

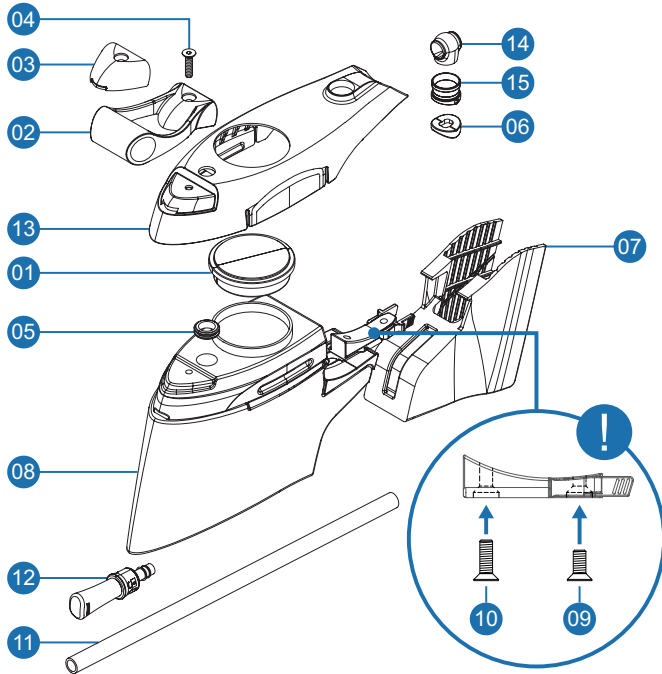
The HSF mounting clip can only be used on Profile Design stems designed for the purpose.

- Aeria Ultimate Stem
- 1/Seventeen Stem with HSF Faceplate
- Tri Stem
- Wing Ultimate

**It may also be used on the Wilier Turbine handlebar that has been designed in collaboration with Profile Design.**

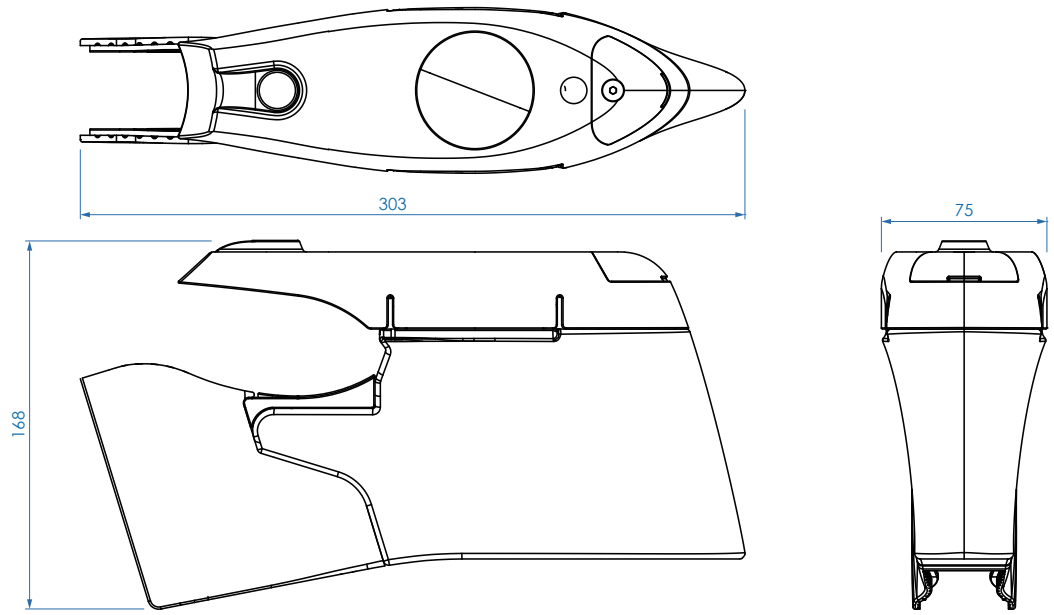
**Some frames with nose cones on the headtube or bayonet style forks are compatible with the HSF/Aeria, it is best to discuss this with the frame manufacturer as Profile Design has not tested fitment on any non-standard headtube frames.**

# COMPONENT LIST



Ref.#	Part.#	QTY. Req.	Part Description
1	B057	2	Cap - Anti-Splatter
2	B115	1	Front Cap - Computer Mount - Aeria HSF
3	B116	1	Front Cap - Rubber Cover - Aeria HSF
4	313591	1	Bolt M5 x 18 FHB
5	B117	1	O-Ring - Straw Stabilization
6	B118	1	Rubber - Movable Magnet - Aeria HSF
7	B119	1	Rubber - Head Tube Filling - Aeria HSF
8	B140	1	Bottle - Aeria HSF Black (Integration)
9	313568	1	Bolt M5 x 12 FHB
10	313590	1	Bolt M5 x 16 FHB
11	B153	1	Straw - 600mm
12	B096	1	Bite Valve Gray
13	B137	1	Cap - Top of Bottle - Aeria HSF (Integration)
14	WB208	1	Magnet System Movable Magnet kit II
15	WB209	1	Magnet System Straw Magnet kit II

# PART DRAWINGS



# PART DRAWINGS

**Center point of the bottom of stem**

①

**100mm Stem**

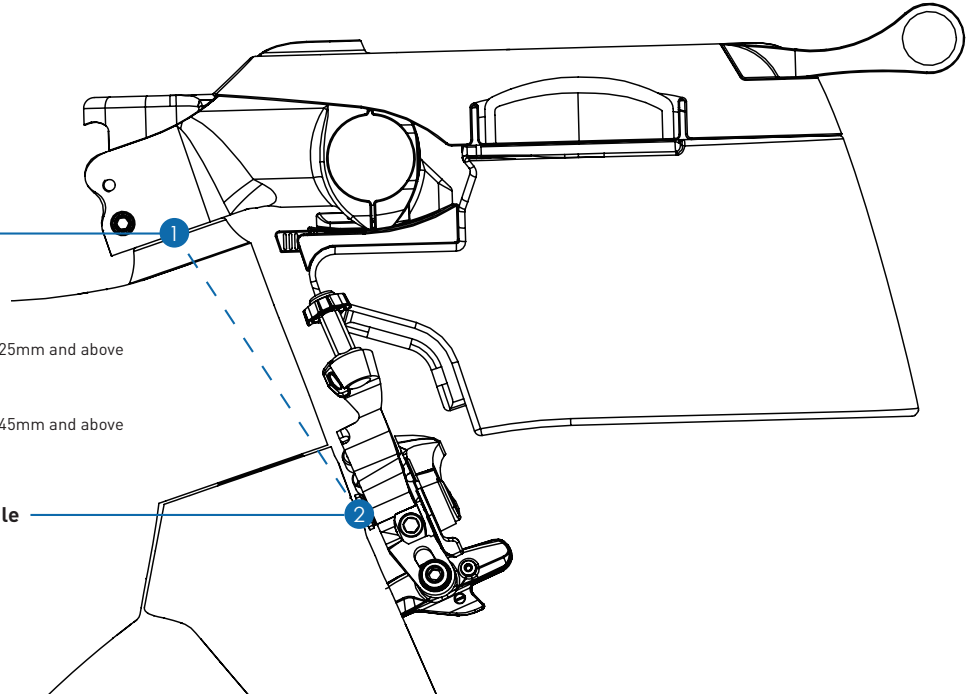
Installation available if the ①-② distance is 125mm and above

**70mm Stem**

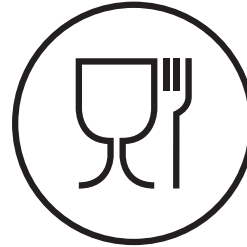
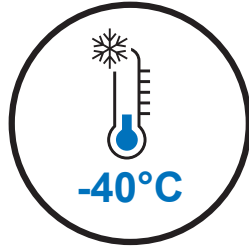
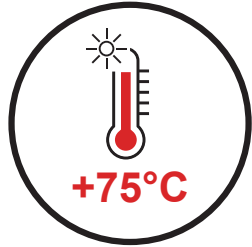
Installation available if the ①-② distance is 145mm and above

**Center point of front brake setup hole**

②



## PRODUCT SPECIFIC SETUP LIMITATIONS



### WARNING

If the HSF/Aeria is installed with any pressure on the topcover from the stem or on the clip from the frame there is an increased risk of failure. During installation you must ensure that the clip is free from external pressure.

# INSTALLATION INSTRUCTIONS

## Install the mounting clip and bottle

1. Remove the clip from the bottle by squeezing the levers together and pulling the clip out of the slot.
2. Attach the clip to the stem with the levers facing back towards the bike frame.
  - a. Note that the bolts are different lengths.
  - b. The M5x16mm one goes in the forward hole.
  - c. The M5x12mm bolt goes in the rear hole.
  - d. The bolts must be torqued to 2Nm.
3. Test the installation by removing the rubber gusset from the bottle and slide the bottle onto the mounting clip until you hear a positive click .
4. Gently pull on the bottle to ensure that it is securely fastened.
5. Remove the bottle from the bike by squeezing the levers on the clip together and pulling the bottle forward.
6. Install the rubber gusset on the bottle then install the bottle on the stem again.
7. Inspect for any clearance issues with the gusset and ensure the clip is able to engage fully.
8. You may choose to cut down the rubber gusset to match the frame more closely.
  - a. Remove the bottle from the bike and cut along one of the guide lines on the inside of the gusset.
  - b. We suggest doing this incrementally so you don't cut too much off.

## Install the hose magnet mount

1. You can use either the magnet mount built into the cover of the satellite magnet mount.
2. Choose a location for the magnet mount.
  - a. On the extensions is ideal, on the stem is possible.
3. Zip tie the magnet in the chosen location, being careful not to tie around any cables.
4. Move the magnet that is on the hose to align with the magnet mount and test that it is easy to remove and reattach.



## Cleaning the bottle

1. Remove the bottle from the bike by squeezing the levers on the clip together and pulling the bottle forward.
2. To remove the top cover.
  - a. Use a 3mm hex wrench to undo the bolt that holds the computer mount or blank nose cover on.
  - b. Slide the mount or nose cover off.
  - c. Carefully unclip the top cover from the sides.
  - d. Remove the splash guard and carefully pull the hose out.
3. Clean the inside of the bottle using a brush and warm dish detergent.
4. Clean the inside of the hose using a pipe cleaner.
5. Rinse both items thoroughly with fresh water and allow to air dry.
6. Re-install the cover and hose.

## To change the computer mount

If you do not wish to use the computer mount:

1. Use a 3mm hex wrench to undo the bolt that holds the computer mount on
2. Slide the mount off
3. Slide the blank nose cover on
4. Install the bolt and tighten to 2Nm

## **WARRANTY POLICY**

- Profile Design Worldwide Two Year Limited Warranty.
- Profile Design, LLC (distributor) warrants to the original retail purchaser ("you") that the Profile Design product for which you received this warranty is free from defects in material and workmanship for (2) two years from the date of original retail purchase. For more details on this warranty, its exclusions and/or how to make a claim under the warranty please call +1 310.747.0085 extension 161 or visit [www.profile-design.com/pages/warranty](http://www.profile-design.com/pages/warranty)



2677 El Presidio Street  
Long Beach, CA 90810  
Ph: 310-884-7756

[www.profile-design.com](http://www.profile-design.com)

© Profile Design LLC